

# Use and Care Guide



## Dehumidifier

### Contents

Auto Defrost	3
Care and Cleaning	4
Condenser Coils	4
Control Settings	3, 4
Electrical Requirements	2
Extension Cords	2
Grille and Cabinet	4
Grounding	2
Humidity Control	3, 4
Model and Serial Numbers	2
Problem Solver	4
Safety Instructions	2
User Maintenance Instructions	4
Water Overflow Control	3, 4

Models AHD12  
AHD21

220/240 Volt,  
50 Hertz

GE Appliances

49-7330

## Important Safety Instructions

**Before using your dehumidifier, read this book carefully.**

It is intended to help you operate and maintain your new dehumidifier properly.

Keep it handy for answers to your questions.

### Write down the model and serial numbers.

You'll find them on a label in front of the bucket at the back of the dehumidifier. Write these numbers here.

---

Model Number

---

Serial Number

**Read all instructions before using this appliance.**

When using this appliance, always exercise basic safety precautions, including the following:

- **Use this appliance only for its intended purpose as described in this Use and Care Guide.**
- **This dehumidifier must be properly grounded before it is used.** See grounding instructions at right.
- **Never operate this appliance in an area that is likely to accumulate standing water.** If this condition develops, for your safety disconnect the power supply before stepping into the water.
- **Never unplug your dehumidifier by pulling on the power cord.** Always grip plug firmly and pull straight out from the receptacle.
- **Repair or replace immediately all electric service cords that have become frayed or otherwise damaged.** Do not use a cord that shows cracks or abrasion damage along its length or at either the plug or connector end.

## SAVE THESE INSTRUCTIONS

## Electrical Requirements

**IMPORTANT:**  
**Please Read Carefully.**

**For personal safety, this appliance must be properly grounded.**

Have the wall outlet checked by a qualified electrician to make sure the outlet is properly grounded.

Where an ungrounded wall outlet is encountered, it is your personal responsibility and obligation to have it replaced with a properly grounded wall outlet.

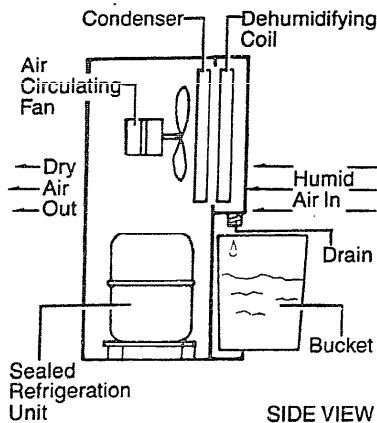
**THE DEHUMIDIFIER SHOULD ALWAYS BE PLUGGED INTO ITS OWN INDIVIDUAL ELECTRICAL OUTLET (220/240 volt, 50 hertz, single phase AC).** This is recommended for best performance and to prevent overloading house wiring circuits, which could cause a possible fire hazard from overheating wires.

**USE OF EXTENSION CORDS—** Because of potential safety hazards under certain conditions, we strongly recommend against the use of an extension cord. However, if you still elect to use an extension cord, it is absolutely necessary that it be a 3-wire grounding type appliance extension cord and that the current carrying rating of the cord be 15 amperes minimum.

# Operating Your Dehumidifier

## How it works

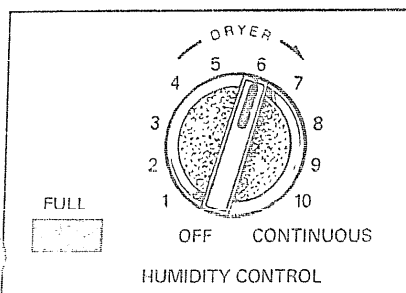
Moist, humid air is drawn over a cold, refrigerated dehumidifying coil. Moisture in the air condenses on this coil and then drains into a bucket (or through a hose into a drain). Dry, clean air is then drawn over the condenser where it is actually heated several degrees and discharged out the front grille into the room. It is normal for the surrounding air to become slightly warmer as the dehumidifier operates. This warming effect further reduces the relative humidity of the surrounding air.



When locating the dehumidifier, be sure to place it where there is no restriction to the air flow either into the coil at the rear or from the front grille. Good air circulation through the appliance is essential to efficient operation.

## Humidity Control

A Humidity Control, built into your dehumidifier, automatically maintains a selected humidity level. It starts the dehumidifier when the humidity is high and shuts it off when the humidity is low.



## For maximum dehumidification

The Humidity Control has settings from "1" to "10." Turning the control knob to "10" provides the greatest amount of dehumidification, turning it to "1" provides the least.

Even when the Humidity Control is set at "10," the dehumidifier will run continuously during particularly humid periods due to seepage of humid air into the room through the walls, around doors and windows and through the use of clothes dryers and similar equipment that add moisture to the air. The continuous operation of the dehumidifier during such humid periods is normal and necessary to maintain desired conditions.

**The first 3 or 4 days that you have your dehumidifier, run it at "10" to allow it to remove large amounts of accumulated moisture from the room.** When the room has reached the desired humidity level, the amount of moisture removed from the air will be considerably less. Rotate the Humidity Control knob toward "1" until the dehumidifier shuts off. The Humidity Control will automatically maintain the desired dryness in the room.

**When the dehumidifier is first turned on and the dehumidifying coil is dry, a light coating of frost will appear.** This is normal. The frost will usually disappear in 30 to 45 minutes.

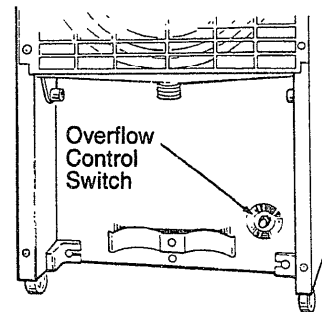
**If room temperature goes below 65°F. (18°C.),** frost may accumulate on the dehumidifying coil, reducing the unit's operating efficiency. On Auto Defrost models, the compressor will shut off automatically until the coil reaches the correct operating temperature. The fan will continue to run to aid in the defrosting. For models without the Auto Defrost feature, we recommend that you turn the Humidity Control knob to "1" to allow the coil to defrost. Then turn it back to your desired setting.

The Auto Defrost feature is also designed to prevent excessive on-off cycling, and under certain conditions may allow the frost to remain on the coil for some time before the compressor shuts off and the frost is cleared. This is not unusual.

## To remove collected water

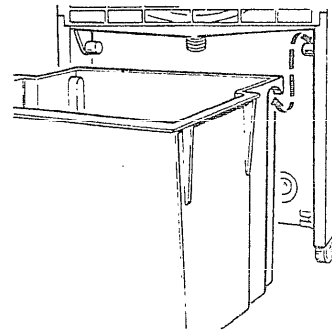
Your dehumidifier has a plastic bucket that catches the water that is removed from the air, an automatic water overflow control, and a signal light that glows when the bucket is full.

On some models, weight of water in the bucket triggers a switch at the bottom rear of the dehumidifier that stops the unit and turns the FULL light on when the bucket is nearly full.



Before removing the bucket to empty it, turn the Humidity Control knob to "1." This will prevent the dehumidifier from operating when the bucket is not in place.

After emptying the bucket, hang it on the bucket supports on each side and push it all the way in.



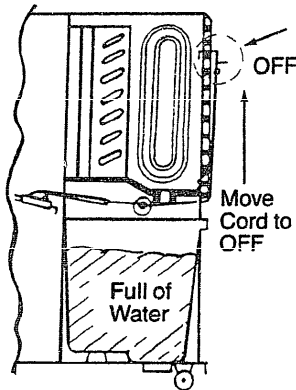
After replacing the bucket, be sure to turn the Humidity Control knob back to the desired setting.

(continued next page)

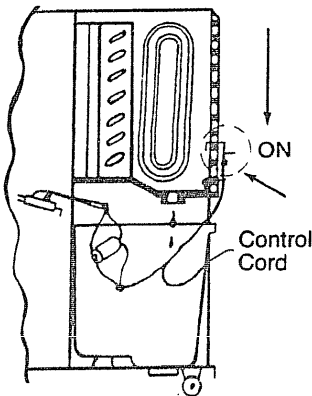
## Operating (continued)

On some models, a float rises and activates the water overflow control that turns the FULL light on and stops dehumidification before the bucket overflows.

Before removing the bucket, move the control cord attached to the float to the OFF (up) position. This will keep the float up and prevent the dehumidifier from operating when the bucket is not in place.



After replacing the bucket, move the control cord to the ON (down) position and make sure the float hangs freely inside the bucket.



## For continuous drain-off of water

Attach a suitable length of standard garden hose (not supplied). A male thread is provided on the drain or water bucket.

## Problem Solver

### Dehumidifier does not operate.

- Not plugged in. Plug may have been bumped loose.
- If plugged in, fuse could have blown or circuit breaker may have tripped.
- Frost buildup on dehumidifying coil (on models without Auto Defrost), caused by room temperature dropping below 65°F. (18°C.) Turn Humidity Control knob to "1" to allow coil to defrost, then reset it when the room warms up.

### Dehumidifier "does not dry the air as it should"

- When the dehumidifier was first installed, not enough time was allowed for it to remove the large amount of moisture that had accumulated in the room. As long as three or four days, with the Humidity Control knob set at "10," may be required to achieve and maintain the desired dryness.
- Objects blocking front and/or back of dehumidifier will restrict air flow and reduce efficiency.
- Humidity Control may be set too low. Turn control knob to a higher setting.

- Doors and/or windows may not be tightly closed.

- Clothes dryer may be blowing moisture-laden air into the room.

### Water on floor.

*On models with float-activated water overflow control:*

- Connection may be loose if hose is attached to dehumidifier for continuous drain-off.

- Float ball may not be suspended freely in bucket.

- Bucket may not be pushed all the way into the dehumidifier.

*On other models:*

- Bucket not hung properly from bucket supports. See page 3.

## Care & Cleaning

### Unplug dehumidifier before cleaning.

Occasionally the dehumidifier will require cleaning. Use a vacuum cleaner attachment or brush to clean the front grille. The best way to clean the dehumidifying coil is by the use of a soft brush when the soil is soft and wet. (If allowed to dry and harden, it will be difficult to remove and must be soaked and softened.)

Do not allow a lot of water to enter the electrical/machine compartment through the circular opening behind the coil. Use a squirt bottle or syringe so you can control the water.

GE Appliances

General Electric Company  
Louisville, KY 40225



is a registered trademark of General Electric Company, U.S.A.

Pub. No. 49-7230

1-80

AHD12  
AHD21