



# Dehumidifiers

*Safety Instructions* .....2, 3

***Operating Instructions***

About the Controls  
on the Dehumidifier .....4  
Automatic Defrost .....5  
Choosing a Location .....5  
How the Dehumidifier Operates .. .5  
Installing the Water Bucket .....6  
Removing Collected Water .....6  
Water Level .....6

***Care and Cleaning***

Air Filter .....7  
Cleaning the Coil .....7  
Grille and Case .....7  
Water Bucket .....7

***Troubleshooting Tips*** .....8

***Consumer Support***

Consumer Support .....12  
Warranty .....11

\*ENERGY STAR® labeled product



As an ENERGY STAR® partner, GE has determined that this product meets the ENERGY STAR® guidelines for energy efficiency.

***Write the model and serial numbers here:***

***Model #*** \_\_\_\_\_

***Serial #*** \_\_\_\_\_

You can find them on a label on the back of the dehumidifier behind the bucket.

**Owner's Manual**

AHW30LJ  
AHH40LJ\*



# IMPORTANT SAFETY INFORMATION. READ ALL INSTRUCTIONS BEFORE USING.

Safety Instructions

Operating Instructions

Care and Cleaning

Troubleshooting Tips

Consumer Support

## ⚠ WARNING!

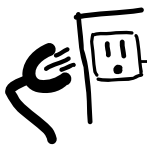
For your safety, the information in this manual must be followed to minimize the risk of fire, electric shock or personal injury.



## SAFETY PRECAUTIONS

When using this dehumidifier, always follow basic safety precautions, including the following:

- Use this appliance only for its intended purpose as described in this Owner's Manual.
- **This dehumidifier must be properly installed and grounded as described in this manual before it is used.**
- **Never operate this dehumidifier in an area that is likely to accumulate standing water.** If this condition develops, for your safety disconnect the power supply before stepping into the water.
- Never unplug your dehumidifier by pulling on the power cord. Always grip plug firmly and pull straight out from the receptacle.
- **Replace immediately all electric service cords** that have become frayed or otherwise damaged. A damaged power supply cord must be replaced with a new power supply cord obtained from the manufacturer and not repaired. Do not use a cord that shows cracks or abrasion damage along its length or at either the plug or connector end.
- Turn the dehumidifier **OFF** and unplug it before making any repairs or cleaning.
- GE does not support any servicing of the dehumidifier. We strongly recommend that you do not attempt to service the dehumidifier yourself.
- For your safety, do not store or use combustible materials, gasoline or other flammable vapors or liquids in the vicinity of this or any other appliance.
- All dehumidifiers contain refrigerants, which under federal law must be removed prior to product disposal. If you are getting rid of an old product with refrigerants, check with the company handling disposal about what to do.



## HOW TO CONNECT ELECTRICITY

*Do not, under any circumstances, cut or remove the third (ground) prong from the power cord. For personal safety, this appliance must be properly grounded.*

The power cord of this appliance is equipped with a 3-prong (grounding) plug which mates with a standard 3-prong (grounding) wall outlet to minimize the possibility of electric shock hazard from this appliance.

Have the wall outlet and circuit checked by a qualified electrician to make sure the outlet is properly grounded.

Where a 2-prong wall outlet is encountered, it is your personal responsibility and obligation to have it replaced with a properly grounded 3-prong wall outlet.

The dehumidifier should always be plugged into its own individual electrical outlet, which has a voltage rating matching the rating plate.

This provides the best performance and also prevents overloading house wiring circuits, which could cause a fire hazard from overheated wires.



## USE OF EXTENSION CORDS

*Because of potential safety hazards under certain conditions, we strongly recommend against the use of an extension cord.*

However, if you must use an extension cord, it is absolutely necessary that it be a UL-listed, 14 gauge, 3-wire grounding type appliance extension cord having a grounding type plug and outlet and that the electrical rating of the cord be 15 amperes (minimum) and 125 volts.



## USE OF ADAPTER PLUGS

*Because of potential safety hazards under certain conditions, we strongly recommend against the use of an adapter plug.*

However, if you must use an adapter, where local codes permit, a **temporary connection** may be made to a properly grounded 2-prong wall outlet by use of a UL-listed adapter available at most local hardware stores.

The larger slot in the adapter must be aligned with the larger slot in the wall outlet to provide proper polarity in the connection of the power cord.

When disconnecting the power cord from the adapter, always hold the adapter in place with one hand while pulling the power cord plug with the other hand. If this is not done, the adapter ground terminal is very likely to break with repeated use.

If the adapter ground terminal breaks, **DO NOT USE** the dehumidifier until a proper ground has been established.

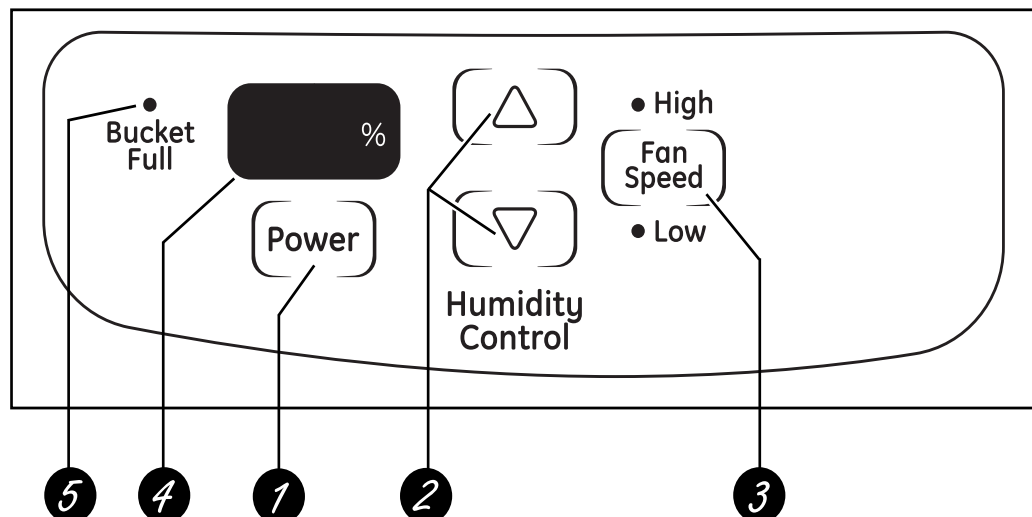
*Attaching the adapter ground terminal to a wall outlet cover screw does not ground the appliance unless the cover screw is metal, not insulated, and the wall outlet is grounded through the house wiring. You should have the circuit checked by a qualified electrician to make sure the outlet is properly grounded.*



**READ AND FOLLOW THIS SAFETY INFORMATION CAREFULLY.**

**SAVE THESE INSTRUCTIONS**

## About the controls on the dehumidifier.



### Controls

- 1 POWER Pad**  
Press to turn the dehumidifier on and off.
- 2 HUMIDITY CONTROL Pads**  
The humidity level can be set within a range of 35% RH (Relative Humidity) to 70% RH (Relative Humidity) in 5% increments.  
  
For drier air, press the ▼ pad and set to a lower percent value (%).  
  
For damper air, press the ▲ pad and set to a higher percent value (%).  
  
When you first use the dehumidifier, set the humidity control to 45% or 50%. Allow at least 24 hours for the dehumidifier to achieve the humidity level. If you still have damper air than desired, set the humidity level to a lower setting.
- 3 FAN SPEED Pad**  
Controls the fan speed.  
  
Press to set to **HIGH** or **LOW** fan speed.  
  
Set the fan control to **HIGH** for maximum moisture removal. When the humidity has been reduced and quiet operation is preferred, set the fan control to **LOW**.
- 4 HUMIDITY LEVEL DISPLAY**  
Displays percent humidity level. Its accuracy is (+/- 5%).
- 5 BUCKET FULL LED**  
Indicates presence of bucket and its fill level.

### Other Features

#### **BUCKET FULL Light**

Glows when the bucket is ready to be emptied, or when the bucket is removed or not replaced in the proper position.

#### **Auto Shut Off**

The Water Level Control Switch shuts off the dehumidifier when the bucket is full, or when the bucket is removed or not replaced in the proper position. Also, when the bucket is out of position, the unit will beep 3 times.

#### **Auto Defrost**

When frost builds up on the cooling coils, the compressor will cycle off until the frost disappears. The fan continues to run.

#### **Power Outage**

If a power outage occurred or if the unit was unplugged, the unit will display its prior setting. **Note:** If **ON** is in the display, the dehumidifier is operating continuously, but a specific humidity level is not set. You will need to reset the **HUMIDITY CONTROL** to the desired level.

#### **Auto Restart**

Once power is restored after a power outage, the unit automatically resumes operation after a 2 minute delay.

## Using the dehumidifier.

ge.com

When first using the dehumidifier, operate the unit continuously 24 hours.

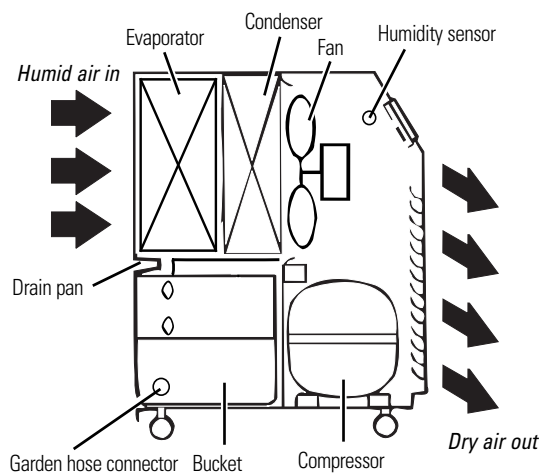
### How the Dehumidifier Operates

Moist, humid air is drawn over a cold refrigerated dehumidifying coil. Moisture in the air condenses on this coil and drains into a bucket (or through the bucket into a hose and drain).

Dry, clean air is drawn through the condenser where it is heated and discharged out the front grille into the room.

*It is normal for the surrounding air to become slightly warmer as the dehumidifier operates.*

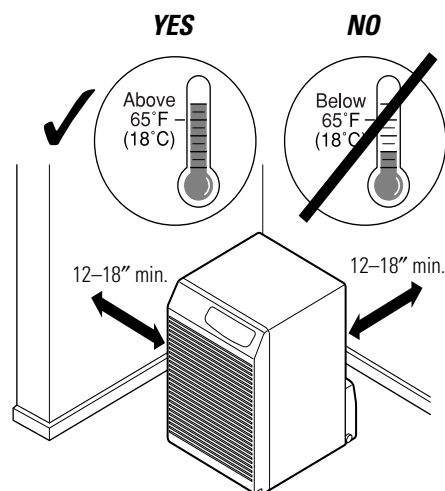
This warming effect further reduces the relative humidity of the surrounding air.



### Choosing a Location

A dehumidifier operating in a basement will have little or no effect in drying an adjacent enclosed storage area, such as a closet, unless there is adequate circulation of air in and out of the area.

- Place the dehumidifier on a smooth, level floor strong enough to support the unit with a full bucket of water.
- Allow at least 12–18 inches of air space on all sides of the unit for good air circulation.
- Place the dehumidifier in an area where the temperature will not fall below 65°F (18°C). The coils can become covered with frost at temperatures below 65°F, which may reduce performance.
- Use the dehumidifier in cooking, laundry, bathing and dishwashing areas that have excessive moisture. **NOTE:** Place the dehumidifier away from the clothes dryer.
- Use the dehumidifier to prevent moisture damage anywhere books or valuables are stored.
- Use the dehumidifier in a basement to help prevent moisture damage.
- The dehumidifier must be operated in an enclosed area to be most effective.
- Close all doors, windows and other outside openings to the room.



**NOTE:** The dehumidifier has rollers to aid placement, but it should only be rolled on smooth, flat surfaces. Do not attempt to roll the dehumidifier on carpet or over objects.

### Automatic Defrost

When the dehumidifier control senses frost buildup on the evaporator coil, it will automatically shut off the compressor. The fan will continue to run to draw air across the coil and melt the frost.

When the coil is defrosted, the compressor will automatically restart and dehumidifying will resume.

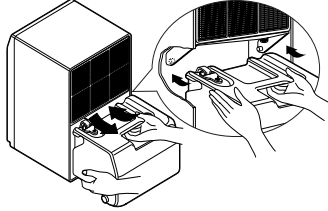
## Using the dehumidifier.

Always make sure the water bucket is locked into place on the dehumidifier.

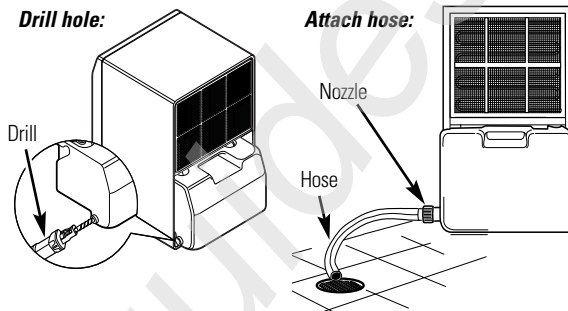
### Removing Collected Water

There are 3 ways to remove collected water:

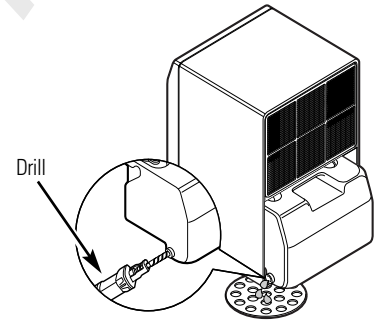
- 1 **Use the bucket.** When the bucket is removed, the unit will shut off. Empty and replace the bucket.



- 2 **Use a hose.** Water can be automatically emptied into a floor drain by attaching a water hose (not included) to the bucket hose nozzle. Using a drill, make a hole at the end of the nozzle located on the lower left side of the bucket. Attach a water hose to the bucket nozzle. Fasten by hand only.



- 3 **Use a floor drain.** The unit can also be placed over a floor drain. Using a drill, make a hole at the end of the nozzle located on the lower left side of the bucket.

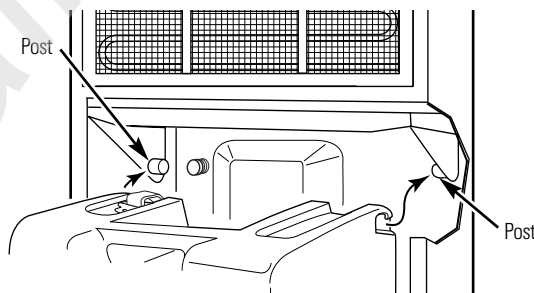


**NOTE:** The nozzle cannot be fixed after puncture. Use an ordinary garden hose cap (not included) to reclose if necessary.

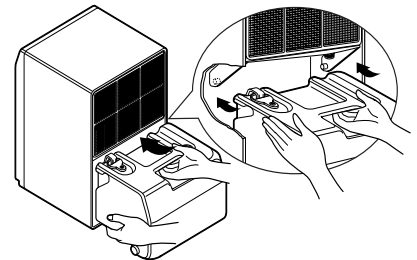
**NOTE:** Avoid using mechanical tools to tighten the water hose to the bucket nozzle. This may damage the threads on the nozzle.

### Installing the Water Bucket

Lift the bucket and hook the slots on each side onto the posts on the back of the dehumidifier. The bucket should lock securely in place.



Make sure the bucket is locked securely in place by pressing down on the upper back edge of the bucket. It will be firmly seated when properly installed.



### Water Level

The dehumidifier will turn off automatically when the bucket is full, or when the bucket is removed or not replaced in the proper position.

*The bucket must be replaced in the proper position for the dehumidifier to work. The light will be on and the dehumidifier will not run if the bucket is not in the proper position.*

# Care and cleaning of the dehumidifier.

ge.com

Turn the dehumidifier off and remove the plug from the wall outlet before cleaning.

## Grille and Case

### To clean the case:

Use water and a mild detergent. Do not use bleach or abrasives.

If cabinet paint chips, you can touch it up with a good grade enamel paint to prevent rust.

### To clean the front grille:

Use a vacuum attachment or brush.

## Air Filter

The air filter is on the back of the dehumidifier. **It should be checked and cleaned at least every 30 days or more often if necessary.**

**NOTE:** DO NOT rinse or put the filter in an automatic dishwasher.

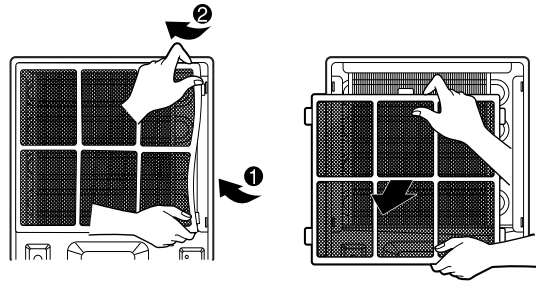
**CAUTION:** DO NOT operate the dehumidifier without the filter because dirt and lint will clog it and reduce performance.

### To remove:

Flex the filter at the lower right corner and slide the upper right side to the left. Release all of the tabs and remove the filter. Wash it in warm soapy water. Rinse and let the filter dry before replacing it.

### To replace:

Hold the filter with the middle tab at the top and place the bottom of the filter in the filter hook. Slide the side filter tabs into the side slots and press the other three tabs into their slots.



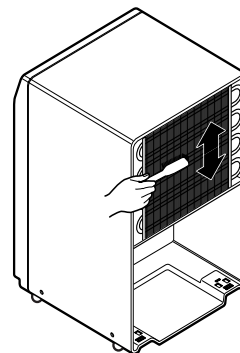
**NOTE:** Avoid using a dishwasher to clean the filter.

## Cleaning the Coil

After removing the air filter, clean the coil with a soft brush when the soil is soft and wet.

**NOTE:** Do not allow water to enter the electrical/machine compartment through the circular opening behind the coil.

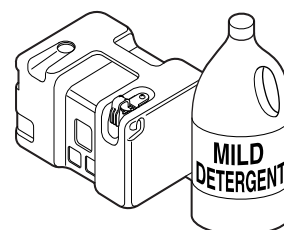
**Do not spray the coil with a hose.**



## Water Bucket

Every few weeks, rinse the inside of the water bucket with a mild detergent to prevent growth of mold, mildew and bacteria.

**NOTE:** Avoid using a dishwasher to clean the water bucket.



Safety Instructions

Operating Instructions

Care and Cleaning

Troubleshooting Tips

Consumer Support

# Troubleshooting Tips...



**Troubleshooting Tips**  
Save time and money!

Safety Instructions

Operating Instructions

Care and Cleaning

Troubleshooting Tips

Consumer Support

<b>Problem</b>	<b>Possible Causes</b>	<b>What To Do</b>
<b>Dehumidifier does not start</b>	The dehumidifier is unplugged.	• Make sure the dehumidifier's plug is pushed completely into the outlet.
	The fuse is blown/circuit breaker is tripped.	• Check the house fuse/circuit breaker box and replace the fuse or reset the breaker.
	Dehumidifier has reached its preset level or bucket is full.	• The dehumidifier automatically turns off when this occurs. Empty the bucket and replace properly.
	Bucket is not in the proper position.	• See the <i>Installing the Water Bucket</i> section.
<b>Dehumidifier does not dry the air as it should</b>	Did not allow enough time to remove the moisture.	• When first installed, allow at least 24 hours to maintain the desired dryness.
	Airflow is restricted.	• Make sure there are no curtains, blinds or furniture blocking the front or back of the dehumidifier. See the <i>Choosing a Location</i> section.
	The Humidity Control may not be set low enough.	• Press the <b>Humidity Control ▼</b> pad to lower the humidity setting.
	Doors and windows may not be closed tightly.	• Check that all doors, windows and other openings are securely closed.
	Clothes dryer may be blowing moisture-laden air into the room.	• Install the dehumidifier away from the dryer. The dryer should be vented to the outside.
	Room temperature is too low.	• Moisture removal is best at higher room temperatures. Lower room temperatures will reduce the moisture removal rate. This unit is designed to be operated at temperatures above 65°F (18°C).
<b>Dehumidifier runs too much</b>	Area to be dehumidified is too large.	• Refer to the chart below to see if the capacity of your dehumidifier is adequate.
	Doors and windows are open.	• Close all doors and windows to the outside.
<b>Frost appears on the coils</b>	Dehumidifier has been recently turned on or room temperature is below 65°F (18°C).	• This is normal. Frost will usually disappear within 60 minutes. See the <i>Automatic Defrost</i> section.
<b>Fan noise</b>	Air is moving through the dehumidifier.	• This is normal.
<b>Water on floor</b>	Bucket drain hose connection may be loose.	• Check the hose if one is attached.
	Water bucket is not all of the way in.	• See the <i>Installing the Water Bucket</i> section.

## What dehumidifier do you need?

<b>Condition without dehumidification—</b>	<b>Area (in square feet)</b>					
	<b>500</b>	<b>1000</b>	<b>1500</b>	<b>2000</b>	<b>2500</b>	<b>3000</b>
<b>During warm and humid outdoor conditions</b>						
<b>Moderately damp</b> —Space feels damp and has musty odor only in humid weather.	AHW30	AHW30	AHW30	AHW30	AHH40	AHH40
<b>Very damp</b> —Space always feels damp and has musty odor. Damp spots show on walls or floor.	AHW30	AHW30	AHW30	AHH40	AHH40	AHH40
<b>Wet</b> —Space feels and smells wet. Walls or floor sweat, or seepage is present.	AHW30	AHW30	AHH40	AHH40	AHH40	AHG50
<b>Extremely wet</b> —Laundry drying, wet floor, high-load conditions	AHW30	AHW30	AHH40	AHH40	AHG50	AHG50

Table indicates recommended GE dehumidifier models, based on the area of the space to be dehumidified and the conditions that would exist in that space when a dehumidifier is not in use. Dehumidification variables also include such other factors as climate, laundry equipment, number of family members, number of doors and windows and degree and intensity of area activity.



## **Notes.**

---

***Safety Instructions***

***Operating Instructions***

***Care and Cleaning***

***Troubleshooting Tips***

***Consumer Support***

**Safety Instructions**

**Operating Instructions**

**Care and Cleaning**

**Troubleshooting Tips**

**Consumer Support**

**Notes.**

---

## GE Dehumidifier—One Year Limited Warranty.



Staple your receipt here.  
Proof of the original purchase date is needed to make a warranty claim.

<b>For The Period Of:</b>	<b>We Will Replace:</b>
<b>One Year</b> From the date of the original purchase	<b>Replacement unit</b> for any product which fails due to a defect in materials or workmanship. The exchange unit is warranted for the remainder of your product's original one-year warranty period.

### In Order to Make a Warranty Claim:

- Properly pack your unit. We recommend using the original carton and packing materials.
- Return the product to the retail location where it was purchased.
- Include in the package a copy of the sales receipt or other evidence of date of original purchase. Also print your name and address and a description of the defect.

### What Is Not Covered:

- Customer instruction. This Owner's Manual provides information regarding operating instructions and user controls.
- Improper installation, delivery or maintenance. If you have an installation problem, or if the dehumidifier is of improper dehumidifying capacity, contact your dealer or installer. You are responsible for providing adequate electrical, plumbing and other connecting facilities.
- Failure of the product resulting from modifications to the product or due to unreasonable use including failure to provide reasonable and necessary maintenance.
- Replacement of house fuses or resetting of circuit breakers.
- Failure due to corrosion on models not corrosion-protected.
- Damage to the product caused by improper power supply voltage, accident, fire, floods or acts of God.
- Incidental or consequential damage caused by possible defects with this dehumidifier.
- Damage caused after delivery.

*This warranty is extended to the original purchaser and any succeeding owner for products purchased for home use within the USA.*

*Some states do not allow the exclusion or limitation of incidental or consequential damages. This warranty gives you specific legal rights, and you may also have other rights which vary from state to state. To know what your legal rights are, consult your local or state consumer affairs office or your state's Attorney General.*

**Exclusion of implied warranties:** *Except where prohibited or restricted by law, there are no warranties, whether express, oral or statutory which extend beyond the description on the face hereof, including specifically the implied warranties of merchantability or fitness for a particular purpose.*

**Warrantor: General Electric Company, Louisville, KY 40225**

## Consumer Support.

---



### *GE Appliances Website*

***ge.com***

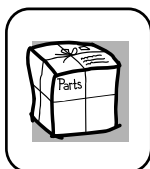
Have a question or need assistance with your appliance? Try the GE Appliances Website 24 hours a day, any day of the year! For greater convenience, you can now download Owner's Manuals, or even order parts and catalogs on-line. You can also "Ask Our Team of Experts™" your questions, and so much more...



### *Real Life Design Studio*

***ge.com***

GE supports the Universal Design concept—products, services and environments that can be used by people of all ages, sizes and capabilities. We recognize the need to design for a wide range of physical and mental abilities and impairments. For details of GE's Universal Design applications, including kitchen design ideas for people with disabilities, check out our Website today. For the hearing impaired, please call 800.TDD.GEAC (800.833.4322).



### *Parts and Accessories*

***ge.com***

Individuals qualified to service their own appliances can have parts or accessories sent directly to their homes (VISA, MasterCard and Discover cards are accepted). Order on-line today, 24 hours every day or by phone at 800.626.2002 during normal business hours.

***Instructions contained in this manual cover procedures to be performed by any user. GE does not support any servicing of the dehumidifier. We strongly recommend that you do not attempt to service the dehumidifier yourself.***



### *Contact Us*

***ge.com***

If you are not satisfied with the service you receive from GE, contact us on our Website with all the details including your phone number, or write to: General Manager, Customer Relations  
GE Appliances, Appliance Park  
Louisville, KY 40225



# Deshumificador

*Instrucciones de seguridad* . . . .2, 3

***Instrucciones de operación***

Acerca de los controles . . . . .4  
Cómo desechar el agua acumulada 6  
Cómo funciona  
el deshumificador . . . . .5  
Cómo instalar el tanque de agua . .6  
Descongelado automático . . . . .5  
Nivel de agua . . . . .6  
Selección del lugar adecuado . . . .5

***Cuidado y limpieza***

Filtro de aire . . . . .7  
Limpieza del serpentín . . . . .7  
Rejilla y gabinete . . . . .7  
Tanque de agua . . . . .7

***Solución de problemas*** . . . . .8

***Ayuda al cliente***

Ayuda al cliente . . . . .12  
Garantía . . . . .11

\* Producto con la etiqueta \*ENERGY STAR®



Como un asociado de Energy Star®, GE ha determinado que este producto cumple con las guías de Energy Star® para eficiencia energética.

***Escriba los números de modelo y serie aquí:***

**# de Modelo** \_\_\_\_\_

**# de Serie** \_\_\_\_\_

Puede encontrar estos números en una etiqueta en la parte trasera del deshumificador, detrás del recipiente de agua.

**Manual del Propietario**

AHW30LJ  
AHH40LJ\*



# INFORMACIÓN IMPORTANTE DE SEGURIDAD. LEA TODAS LAS INSTRUCCIONES ANTES DE USAR.

Seguridad

## ⚠ ¡ADVERTENCIA!

Por su seguridad, se debe seguir la información en este manual para minimizar el riesgo de incendios, descargas eléctricas o lesiones personales.



## PRECAUCIONES DE SEGURIDAD

Al usar este deshumificador, se deben seguir precauciones básicas de seguridad, incluyendo las siguientes:

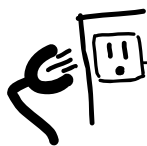
- Use este electrodoméstico solamente para el propósito determinado según se describe en este Manual del propietario.
- Este deshumificador debe instalarse correctamente y conectado a tierra de acuerdo con las instrucciones de este manual antes de su uso.
- Nunca opere este deshumificador en un área en la que es posible que se acumule agua. De encontrarse en estas condiciones, por su seguridad, desconecte el suministro de corriente eléctrica antes de pisar sobre el agua.
- Nunca desenchufe su deshumificador tirando del cable eléctrico. Siempre agarre firmemente el enchufe y tire de él directamente hacia afuera.
- Reemplace inmediatamente todos los cables eléctricos que se hayan pelado o que se hayan dañado de alguna otra manera. Un cable de corriente dañado no debe repararse, sino que debe ser sustituido por uno nuevo que se adquiera del fabricante. No use un cable eléctrico que muestre evidencias de deterioro, o daños de abrasión en su superficie en alguno de sus extremos.
- Apague el control y desenchufe su deshumificador antes de hacer cualquier reparación o limpiar.
- GE no proporcionará ningún servicio al deshumificador. Recomendamos estrictamente que no intente componer su deshumificador.
- Por su seguridad, no almacene ni use materiales combustibles, gasolina u otros vapores o líquidos inflamables en la proximidad de éste o algún otro electrodoméstico.
- Todos los deshumificadores contienen refrigerantes, los cuales se deben evacuar antes de desechar el producto de acuerdo con la ley federal. Si va a desechar algún aparato antiguo con refrigerante, consulte a la compañía a cargo de evacuar el aparato, asegúrese de hacerlo adecuadamente.

Operación

Cuidado y limpieza

Solución de problemas

Ayuda al cliente



## COMO CONECTAR LA ELECTRICIDAD

Bajo ninguna circunstancia, corte o remueva la tercera púa (tierra) del cable eléctrico. En pos de la seguridad personal, este electrodoméstico debe siempre conectarse a tierra.

El cable eléctrico de este electrodoméstico está equipado con un enchufe de tres púas (tierra) que combina con un tomacorriente estándar de tres tomas de pared para minimizar la posibilidad de una descarga eléctrica.

Pida a un técnico que inspeccione el tomacorriente y el circuito para cerciorarse de que el tomacorriente está conectado a tierra de la manera apropiada.

Donde exista un tomacorriente de dos tomas, es su responsabilidad y obligación personal hacer que dicho tomacorriente sea reemplazado por uno de tres tomas con conexión a tierra.

El deshumificador debería siempre estar conectado a un tomacorriente individual con su circuito de voltaje correspondiente.

Esto proporciona el mayor rendimiento y además evita que los circuitos del resto de la casa se sobrecarguen, lo cual podría causar incendios por el sobrecalentamiento del cableado.



## USO DE CABLES DE EXTENSIÓN

Debido al potencial de riesgos de seguridad bajo ciertas condiciones, enérgicamente recomendamos en contra del uso de cables de extensión.

Sin embargo, si usted se ve en la necesidad de usar un cable eléctrico de extensión, es absolutamente necesario que el mismo esté listado bajo UL, sea calibre 14, del tipo de 3 tomas con conexión a tierra para electrodomésticos y el índice eléctrico debe ser de 15 amperios (mínimo) y 125 voltios.



## USO DE ENCHUFES ADAPTADORES

Debido al potencial de riesgos de seguridad bajo ciertas condiciones, enérgicamente recomendamos en contra del uso de enchufes adaptadores.

Sin embargo, si usted se ve en la necesidad de usar un adaptador, donde los códigos legales locales lo permitan, puede hacer una **conexión temporal** a un interruptor de 2 tomas siempre que se use un tomacorriente listado UL disponible en la mayoría de las ferreterías.

La ranura mayor en el adaptador debe estar alineada con la púa mayor en la pared para proporcionar una polaridad apropiada en la conexión del cable eléctrico.

Cuando se disponga a desconectar el cable eléctrico del adaptador, siempre sostenga el adaptador en su lugar con una mano mientras tira del cable eléctrico con la otra mano. Si no hace esto, la terminal de tierra del adaptador podría romperse después de que este proceso se repita varias veces.

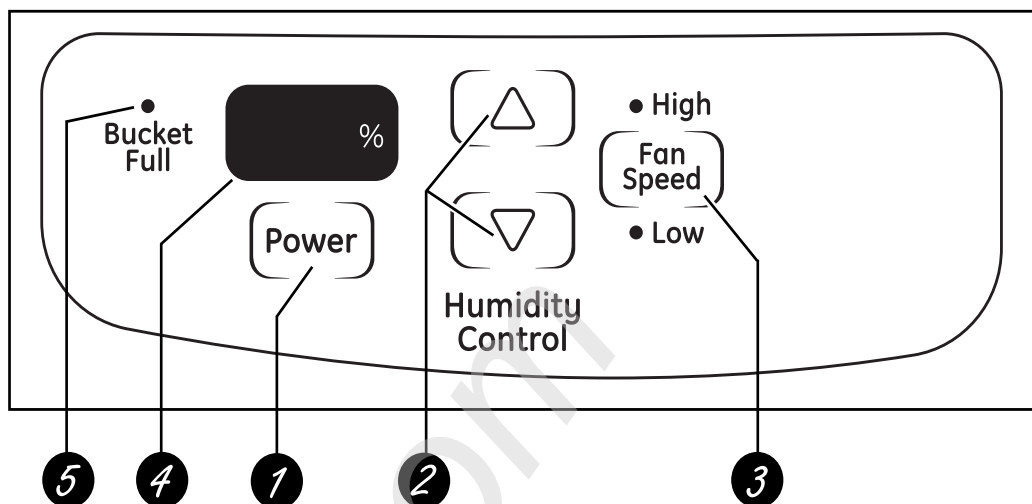
Si la terminal de conexión a tierra del adaptador se rompe, **NO USE** el deshumificador hasta que la conexión a tierra se haya restablecido.

Unir el terminal de conexión a tierra del adaptador a un tornillo de la cubierta en la pared no conecta a tierra el electrodoméstico apropiadamente a no ser que el tornillo de la cubierta sea metálico y no esté aislado, y el tomacorriente de la casa esté apropiadamente conectado a tierra a través del cableado de la casa. Haga que un técnico calificado inspeccione el circuito de la casa para cerciorarse que está conectado a tierra apropiadamente.



**LEA Y SIGA ESTAS INSTRUCCIONES DE SEGURIDAD CUIDADOSAMENTE.  
GUARDE ESTAS INSTRUCCIONES**

## Acerca de los controles del deshumidificador.



### Controles

- 1 Botón de Encendido/Apagado (POWER)**  
Presione para encender o apagar el deshumidificador.
- 2 Botones para el Control de humedad (HUMIDITY CONTROL)**  
La humedad se puede controlar a niveles de entre 35% HR (humedad relativa)–70% HR (humedad relativa) en incrementos del 5%.  
Si desea aire más seco, presione el botón ▼ .  
Si desea aire más húmedo, presione el botón ▲ .  
Cuando use por primera vez el deshumidificador, coloque el control del deshumidificador a 45% ó 50%. Permita que transcurran por lo menos 3 ó 4 días para que el deshumidificador alcance el nivel de humedad. Si el aire aún está más húmedo de lo deseado, ajuste el nivel de humedad a un nivel menor.
- 3 Boton de velocidad del ventilador (FAN SPEED)**  
Controla la velocidad de circulación del aire.  
Presione para seleccionar la velocidad del ventilador en alta (HIGH) o baja (LOW) .  
Coloque el control del ventilador a alta velocidad (HIGH) para lograr remover la mayor cantidad de humedad. Cuando la humedad haya sido reducida y usted prefiera una operación más tranquila, coloque el control del ventilador a baja velocidad (LOW).
- 4 PANTALLA DEL NIVEL DE HUMEDAD**  
Muestra el nivel de porcentaje de humedad con una exactitud al +/- 5%.
- 5 INDICADOR DEL TANQUE**  
Muestra la presencia y/o el nivel de agua en el tanque.

### Otras funciones

#### Indicador del tanque de agua (BUCKET FULL)

Este indicador se ilumina cuando el tanque esté lleno y deba vaciarse, o cuando el recipiente se remueva o no esté colocado en la posición correcta.

#### Apagado automático (AUTO SHUT OFF)

El Interruptor de control de nivel de agua apaga el deshumidificador cuando el tanque esté lleno, o cuando el tanque no esté presente o no esté colocado en una posición apropiada. Además, cuando el tanque esté en una posición equivocada, la unidad emitirá un sonido tres veces.

#### Descongelado automático (AUTO DEFROST)

Cuando se acumule hielo en el serpentín de enfriamiento, el compresor se apagará hasta que el hielo desaparezca. Mientras que el ventilador continúa funcionando.

#### Interrupción del servicio eléctrico (POWER OUTAGE)

Si ocurriera una interrupción en el servicio eléctrico o si la unidad fuera desconectada, la unidad muestra la selección previa. **Nota:** Si en la pantalla aparece **ON** (encendido), el deshumidificador está operando continuamente, pero el nivel de humedad específico no ha sido seleccionado. Reajuste **HUMIDITY CONTROL** (control de humedad) al nivel deseado.

#### Reinicio automático (AUTO RESTART)

Una vez que el suministro eléctrico haya sido restablecido después de una interrupción y luego, la unidad volverá a funcionar automáticamente después de una demora de 2 minutos.



# Cómo usar el deshumidificador.

ge.com

Cuando se disponga a usar el deshumidificador por primera vez, permita que la unidad opere de manera continua por 24 horas.

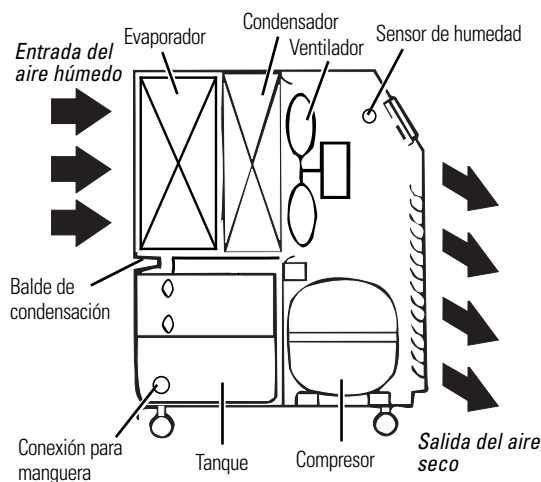
## Cómo funciona el deshumidificador

La humedad en el aire pasa por un serpentín deshumidificador. La humedad en el aire se condensa en este serpentín y se drena hacia el tanque (o a través del tanque hacia una manguera y luego hacia el drenaje).

El aire limpio y seco pasa luego por el condensador donde es calentado y desechado de regreso al medio ambiente a través de la parrilla.

Es normal que el aire en los alrededores se caliente un poco conforme el deshumidificador funciona.

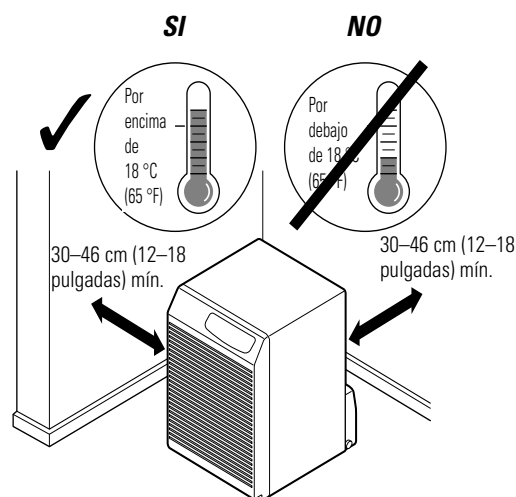
Este efecto calentador reduce aún más la humedad relativa del aire en los alrededores.



## Selección del lugar adecuado

El deshumidificador ubicado en un sótano tendrá poco o ningún efecto en secar el aire dentro áreas adyacentes de almacenamiento, como un armario, por ejemplo, al menos que exista una circulación adecuada de aire hacia el interior y hacia el exterior de dicha área.

- Coloque el deshumidificador en un piso firme y nivelado que sea lo suficientemente fuerte para soportar la unidad cuando la cubeta esté llena de agua.
- Deje por lo menos 12–18 pulgadas de espacio libre alrededor de la unidad para que exista una buena circulación de aire.
- Coloque el deshumidificador en una área donde la temperatura no baje de los 18 °C (65 °F). A temperaturas inferiores a esta, el evaporador se podría cubrir con hielo, lo que reduciría el rendimiento del deshumidificador.
- Use el deshumidificador en áreas como la cocina, cuartos de lavado, baños, y en áreas donde exista humedad excesiva. **NOTA:** Coloque el deshumidificador lejos la secadora de ropa.
- Use el deshumidificador para evitar daños causados por la humedad en lugares donde guarde libros o artículos de valor.



- Use el deshumidificador en el sótano para ayudar a prevenir los daños causados por la humedad.
- El deshumidificador debe usarse en áreas cerradas para mayor efectividad.
- Cierre todas las puertas, ventanas y otras aberturas hacia el exterior de la habitación en donde esté el deshumidificador.

**NOTA:** El deshumidificador tiene ruedas para ayudarle a colocarlo en distintos lugares, pero debe rodarse en superficies firmes y plantas. No intente rodarlo sobre objetos o sobre una alfombra.

## Descongelado automático

Cuando el sensor del deshumidificador detecte que se está acumulando hielo en el evaporador, el control apagará automáticamente el compresor. El ventilador continuará funcionando para circular aire a través del evaporador para descongelar el hielo.

Cuando el evaporador se descongele, el compresor se encenderá automáticamente y el proceso de deshumidificación continuará.

Seguridad

Operación

Cuidado y limpieza

Solución de problemas

Ayuda al cliente

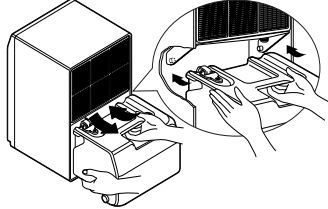
# Cómo usar el deshumidificador.

Siempre cerciórese de que la tanque de agua esté asegurada en su lugar dentro del deshumidificador.

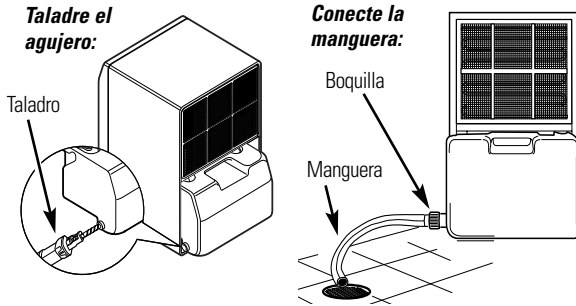
## Cómo desechar el agua acumulada

Hay 3 formas de desechar el agua acumulada:

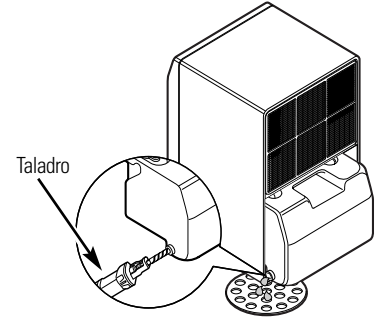
- 1 **Use el tanque.** Cuando usted saque el tanque de su lugar, la unidad se apagará. Vacíe y reinstálelo.



- 2 **Use una manguera.** El agua puede desecharse automáticamente hacia un drenaje en el piso si usted conecta una manguera (no incluida) a la boquilla del tanque. Usando un taladro, haga un agujero en el extremo de la boquilla ubicada en el lado izquierdo inferior del tanque. Conecte una manguera de agua a la boquilla del tanque. Apriete únicamente con su mano.



- 3 **Use un drenaje de piso.** La unidad también puede colocarse sobre un drenaje de piso. Usando un taladro, haga un agujero en el extremo de la boquilla ubicada en el lado izquierdo inferior del tanque.

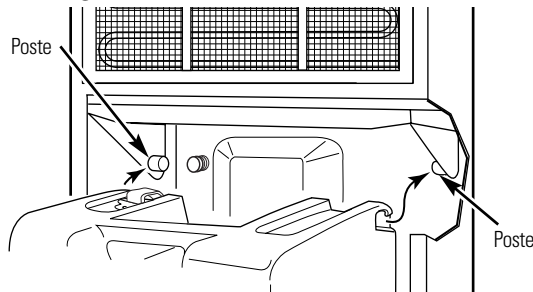


**NOTA:** Una boquilla perforada no podrá repararse después de la perforación. Use un tapón con rosca de manguera de jardín si es necesario taparlo (no incluido).

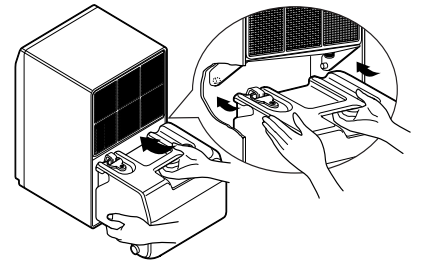
**NOTA:** Apriete la manguera únicamente con su mano; evite el uso de herramientas, porque podría barrer la rosca.

## Cómo instalar el tanque de agua

Levante el tanque y deslice las ranuras en cada lado de los postes en la parte posterior del deshumidificador. El tanque debe quedar seguro en su lugar.



Cerciórese que el tanque quede asegurada en su lugar presionando hacia abajo el borde superior del tanque. El tanque quedará firmemente asentada cuando esté instalado apropiadamente.



## Nivel de agua

El deshumidificador se apagará automáticamente cuando el tanque se llene, o cuando el tanque sea removido o no sea colocado en la posición apropiada.

El tanque debe colocarse en la posición apropiada para que el deshumidificador funcione. La luz se encenderá y el deshumidificador no funcionará a no ser que el tanque esté colocado en la posición apropiada.

# Cuidado y limpieza del deshumificador.

ge.com

Apague el deshumificador y desconecte el enchufe del tomacorriente en la pared antes de limpiarlo.

## Rejilla y gabinete

### Para limpiar el gabinete:

Use agua y un detergente de baja concentración. No use blanqueador ni limpiadores abrasivos.

Usted puede retocar las raspaduras del gabinete con pintura de esmalte para evitar que se oxide.

### Para limpiar la rejilla:

Use una aspiradora con accesorio de cepillo suave o un cepillo de mano.

## Filtro de aire

El filtro de aire se encuentra en la parte posterior del deshumificador. **Debe revisarse y limpiarse cuando menos cada 30 días o más frecuentemente si es necesario.**

**NOTA:** NO enjuague o lave el filtro usando una máquina lavavajillas automática.

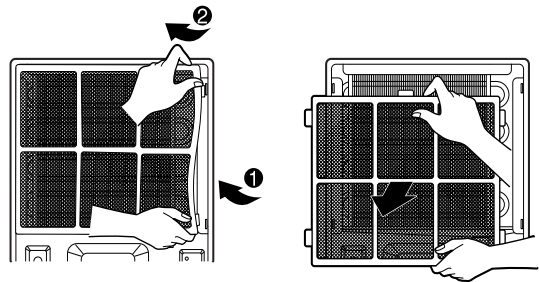
**PRECAUCIÓN:** NO OPERE el deshumificador sin el filtro debido a que la suciedad y las pelusas lo obstruirán y reducirán el rendimiento.

### Para quitarlo:

Flexione el filtro de la esquina inferior derecha y deslice la esquina superior derecha hacia la izquierda. Lávelo con agua jabonosa tibia. Enjuáguelo y déjelo secar antes de volverlo a instalar.

### Para cambiarlo:

Sostenga el filtro con las orejuelas centrales hacia la parte superior y coloque el lado inferior del filtro en el gancho del mismo. Deslice las orejuelas laterales del filtro y presione las otras tres hacia el interior de las ranuras.



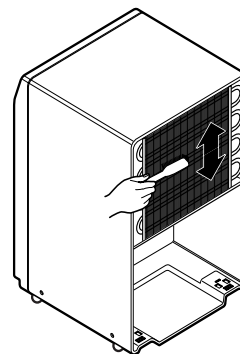
**NOTA:** Evite usar una máquina lavavajillas para limpiar el filtro.

## Limpieza del serpentín

Después de quitar el filtro de aire, limpie el serpentín con un cepillo de baja concentración cuando la suciedad está blanda y mojada.

**NOTA:** No deje que el agua entre en el compartimento eléctrico/mecánico en la abertura circular situada detrás del serpentín.

**No rocíe el serpentín con una manguera.**



## Tanque de agua

Cada dos o tres semanas, enjuague el interior del tanque con detergente suave para evitar la formación de moho o bacterias.

**NOTA:** Evite usar una máquina lavavajillas para limpiar el tanque de agua.



Seguridad

Operación

Cuidado y limpieza

Solución de problemas

Ayuda al cliente

## Solución de problemas...



**Ideas para la identificación y solución de problemas:**

¡Ahorre dinero y tiempo!

	<b>Problema</b>	<b>Causas posibles</b>	<b>Qué hacer</b>
<b>Operación</b>	<b>El deshumificador no enciende</b>	El cable eléctrico del deshumificador está desenchufado.	• Cerciórese de que la clavija del deshumificador esté conectada en la pared.
		El fusible está quemado o el disyuntor del circuito está abierto.	• Revise la caja del disyuntor del circuito ó el fusible; cambie el fusible o vuelva activar el disyuntor.
		El deshumificador ha alcanzado su nivel preseleccionado o el tanque de agua está lleno.	• El deshumificador se apaga automáticamente cuando esto sucede. Vacíe el tanque de agua y reinstale apropiadamente.
		El tanque no está en su lugar.	• Vea la sección <i>Cómo instalar el tanque de agua</i> .
<b>Cuidado y limpieza</b>	<b>Deshumificador no seca el aire como debiera</b>	No ha pasado suficiente tiempo para que seque el aire.	• Cuando se instala por primera vez, deje que pasen 24 horas para que se mantenga el nivel de humedad deseada.
		Hay escasa circulación de aire.	• Cerciórese de que no haya cortinas, persianas o muebles que bloqueen la parte posterior ó al frente del deshumificador. Vea la sección <i>Seleccione el lugar adecuado</i> .
		El Control de humedad no está ajustado lo suficientemente bajo.	• Presione el botón de <b>Control de humedad (Humidity Control)</b> ▼ para bajar el nivel de humedad.
		Las puertas y ventanas no están cerradas completamente.	• Revise que todas las puertas, ventanas y otras aberturas están cerradas completamente.
		El secador de ropa podría estar generando aire húmedo en el recinto.	• Instale el deshumificador lejos de la secadora de ropa. El secador debe desechar el aire hacia el exterior.
		La temperatura del recinto está demasiado baja.	• La deshumidificación es mejor a temperaturas ambiente altas. Temperaturas bajas causan bajo rendimiento de deshumidificación. Esta unidad está diseñada para funcionar a temperaturas por encima de 18 °C (65 °F).
<b>Solución de problemas</b>	<b>El deshumificador trabaja demasiado</b>	El volumen de aire a deshumidificar es excesivo.	• Consulte la tabla en página 9 para verificar que la capacidad de su deshumificador es adecuada.
		Las puertas y ventanas están abiertas.	• Cierre todas las puertas y ventanas que den al exterior.
<b>Ayuda al cliente</b>	<b>Se forma escarcha en el serpentín</b>	El deshumificador ha sido encendido hace poco o la temperatura del recinto es inferior a 65°F (18°C).	• Esto es normal. La escarcha normalmente desaparecerá en 60 minutos. Vea la sección de <i>Descongelado automático (Automatic defrost)</i> .
	<b>El ventilador hace ruido</b>	El aire se mueve a través del deshumificador.	• Esto es normal.
	<b>Hay agua en el piso</b>	La conexión de la manguera de drenaje que va al tanque está floja.	• Inspeccione para cerciorarse de que la manguera está conectada.
		El tanque de agua no está bien colocado.	• Vea la sección <i>Cómo instalar el tanque de agua</i> .

## ¿Qué deshumificador necesita?

### Condición sin deshumificación—

#### Durante condiciones cálidas y húmedas en el exterior

	Área (en pies cuadrados)					
	500	1000	1500	2000	2500	3000
<b>Moderadamente húmedo</b> —El espacio se siente húmedo y tiene olor a moho únicamente cuando el tiempo está húmedo.	AHW30	AHW30	AHW30	AHW30	AHH40	AHH40
<b>Muy húmedo</b> —El espacio siempre se siente húmedo y tiene olor a moho. Aparecen puntos húmedos en las paredes o en el piso.	AHW30	AHW30	AHW30	AHH40	AHH40	AHH40
<b>Mojado</b> —El espacio se siente y huele a mojado. Las paredes y el piso sudan, o existe filtración.	AHW30	AHW30	AHH40	AHH40	AHH40	AHG50
<b>Extremadamente mojado</b> —Secado de ropa, piso mojado, condiciones de carga alta.	AHW30	AHW30	AHH40	AHH40	AHG50	AHG50

La tabla indica los modelos de deshumificadores recomendados por GE, según el área del espacio a deshumificar y las condiciones que existirían en ese espacio cuando no se utilice un deshumificador. Las variables de la deshumificación también incluyen aquellos otros factores como clima, equipo de lavandería, número de miembros en la familia, número de puertas y ventanas y grado de intensidad de la actividad del área.

Seguridad

Operación

Cuidado y limpieza

Solución de problemas

Ayuda al cliente

## **Notas.**

---

**Seguridad**

**Operación**

**Cuidado y limpieza**

**Solución de problemas**

**Ayuda al cliente**

# Garantía de su deshumificador GE—garantía limitada de un año.



Grape aquí su recibo.

Se requiere que usted presente prueba de la fecha de compra original para hacer un reclamo de garantía.

Por el período de:	Nosotros reemplazaremos:
<b>Un año</b> A partir de la fecha de compra original	<b>Unidad de reemplazo</b> para cualquier producto que falle debido a defectos en los materiales o en el proceso de fabricación. La unidad de intercambio está garantizada para el resto del período de un año de garantía original del producto.

## Para hacer un reclamo de garantía:

- **Empaque su unidad apropiadamente.** Recomendamos usar el cartón original y los materiales de empaquetado.
- **Regrese el producto al local de ventas donde usted lo compró.**
- **Incluya en el paquete una copia del recibo de venta u otra evidencia de la fecha original de la compra.** Además imprima su nombre y dirección y una descripción del defecto.

## Lo que no está cubierto:

- **Instrucciones para el cliente.** El Manual del propietario proporciona información acerca de las instrucciones de operación y de sus controles.
- **Reemplazo de fusibles de su hogar o reajuste del sistema de circuitos.**
- **Instalación o entrega inapropiada, o mantenimiento impropio.** Si usted tiene un problema durante la instalación, o si su deshumificador no tiene la capacidad que usted necesita, póngase en contacto con nuestro distribuidor. Usted es responsable de proporcionar las instalaciones eléctricas y de plomería necesarias.
- **Fallo debido a la corrosión en modelos que no están protegidos contra la corrosión.**
- **Fallo del producto a consecuencia de modificaciones al producto o debido a uso irrazonable incluyendo no proporcionar mantenimiento adecuado y necesario.**
- **Daño al producto causado por voltaje inapropiado hacia el equipo, accidentes, incendios, inundaciones o actos de Dios.**
- **Daño incidental o consecencial causado por posibles defectos con el deshumificador.**
- **Causar daños después de la entrega.**

Esta garantía se extiende al comprador original y cualquier comprador posterior de productos comprados para uso residencial dentro de Estados Unidos.

Algunos estados no permiten la exclusión o las limitaciones de daños incidentales o consecuenciales. Esta garantía da derechos legales específicos, y usted podría tener otros derechos que variarán de estado a estado. Para saber cuáles son sus derechos legales, consulte a la oficina de asuntos del consumidor local o la oficina del abogado oficial (Attorney General) en su localidad.

**Exclusión de garantías implícadas:** Excepto donde está prohibido o restringido por la ley, no hay garantías, expresas, orales o estatutarias que extiendan más allá de la descripción específica, incluyendo específicamente las garantías implícadas de mercantibilidad o propiedad para un propósito particular.

**Garante: General Electric Company. Louisville, KY 40225**

Seguridad

Operación

Cuidado y limpieza

Solución de problemas

Ayuda al cliente

## Ayuda al cliente.



### *Página electrónica en el internet de GE Appliances*

**ge.com**

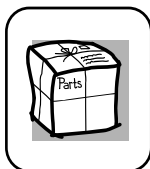
¿Tiene alguna pregunta sobre su electrodoméstico? ¡Vea nuestra página electrónica en el internet GE Appliances las 24 horas al día, cualquier día del año! Para mayor conveniencia, ya puede descargar los Manuales de los Propietarios. También puede “Preguntar a nuestro equipo de expertos” (Ask Our Team of Experts™) sobre cualquier cuestión y mucho más...



### *Estudio de diseño para la vida real (Real Life Design Studio)*

**ge.com**

GE apoya el concepto de Diseño Universal—productos, servicios y ambientes que pueden usar gente de todas las edades, tamaños y capacidades. Reconocemos la necesidad de diseñar para una gran gama de habilidades y dificultades físicas y mentales. Para más detalles sobre las aplicaciones del Diseño Universal GE, incluyendo ideas de diseño en la cocina para personas con discapacidades, visite nuestra página electrónica en el internet hoy mismo. Para personas con dificultades auditivas, favor de llamar al 800.TDD.GEAC (800.833.4322).



### *Piezas y accesorios*

**ge.com**

Aquellos individuos calificados para reparar sus propios electrodomésticos pueden pedir que se les manden las piezas o accesorios directamente a sus hogares (aceptamos las tarjetas VISA, MasterCard y Discover). Haga su pedido en el internet hoy, las 24 horas al día o llamando por teléfono al 800.626.2002 durante horas normales de oficina.

**Las instrucciones descritas en este manual cubren los procedimientos a seguir por cualquier usuario. GE no proporcionará ningún servicio al deshumificador. Recomendamos estrictamente que no intente componer su deshumificador.**



### *Póngase en contacto con nosotros*

**ge.com**

Si no está satisfecho con el servicio que recibe de GE, póngase en contacto con nosotros a través de nuestra página en internet indicando todos los detalles así como su número de teléfono o escribanos a:

General Manager, Customer Relations  
GE Appliances, Appliance Park  
Louisville, KY 40225