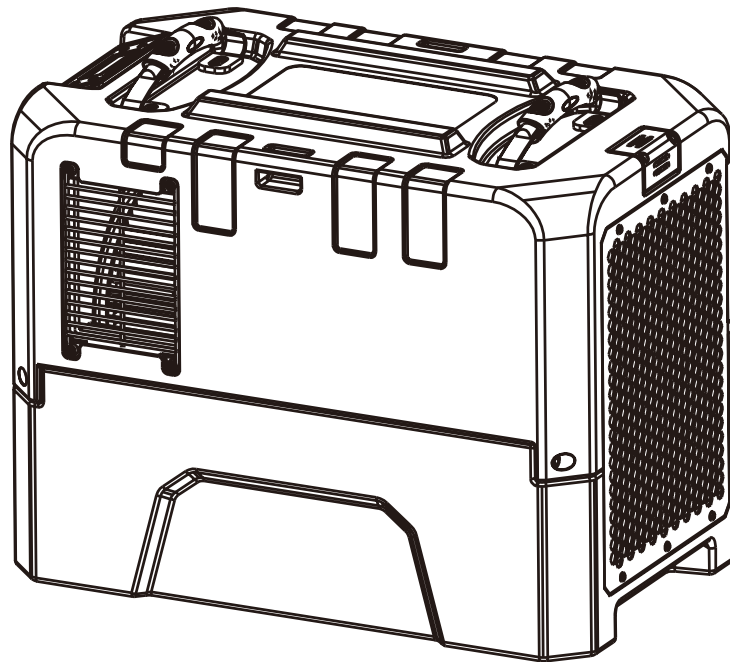


Restoration&Moisture&Ventilation



# Storm LGR Extreme Installation and Operations Manual



**READ AND SAVE THESE INSTRUCTIONS**  
**Alorair Solutions INC.**

Add: 14752 Yorba Ct Chino CA 91710

Tel: 1-888-990-7469

E-mail: [sales@alorair.com](mailto:sales@alorair.com)



## Table of Contents

Safety Instructions	1
Identification	1
Electrical Supply	1
How the Storm LGR Extreme Works	2
Guidelines	2
Parts Diagram	3
Using the Display- Main Screen	4
Using the Display- Submenus	6
Maintenance Instructions	8
Error Codes	9
Troubleshooting	10
Dehumidifier Storage	10
Warranty	11

## Safety Instructions

- Don't adjust or alter the unit in any way.
- The use of unauthorized parts will void your warranty. Contact your approved distributor for assistance.
- Always unplug the unit prior to removing the cover.
- Inspect the power cord prior to use and do not use if it is damaged.
- The unit should only be used with a 115V/60Hz circuit protected by a GFCI outlet.

## Identification

Prior to installation of the unit, write down the serial number and date of purchase. You will need this information if you need assistance in the future. The data label on the side of your unit has the necessary information.

**Model Number: Storm LGR Extreme**

**Serial Number:** \_\_\_\_\_ **Date of Purchase:** \_\_\_\_\_

For additional questions concerning your dehumidifier:

- Contact your installing contractor
- Contact Alorair Solutions : sales@alorair.com  
888-990-7469

## Electrical Supply

**Power Supply:** 115V, 60 Hz AC, Single Phase

**Outlet Requirement:** 3-Prong, GFCI

**Circuit Protector:** 15 Amp

**WARNING:** Using a 240V outlet may cause serious injury from electric shock.

To reduce risk of injury:

1. Always disconnect machine from electrical power. before servicing.
2. Only plug unit into a grounded electrical circuit.
3. Do not use an extension cord.
4. Do not use a plug adapter.

## How the Storm Extreme Works

The Storm LGR Extreme dehumidifier utilizes its integral humidistat to monitor the conditioned space. Once conditions are outside the desired setpoint, the compressor energizes and air is drawn across an evaporator coil. The evaporator coil is cooler than the dew point of the air so the water vapor will turn into liquid condensation. The air is then reheated through the condenser coil and distributed back into the room.

## Guidelines

### Operation Notes

- Always make sure that the unit is operated, transported, and stored on a stable surface.
- For maximum efficiency, operate the unit with all windows and doors closed.
- Do not place the unit anywhere that may block the inlet or outlet airflow.

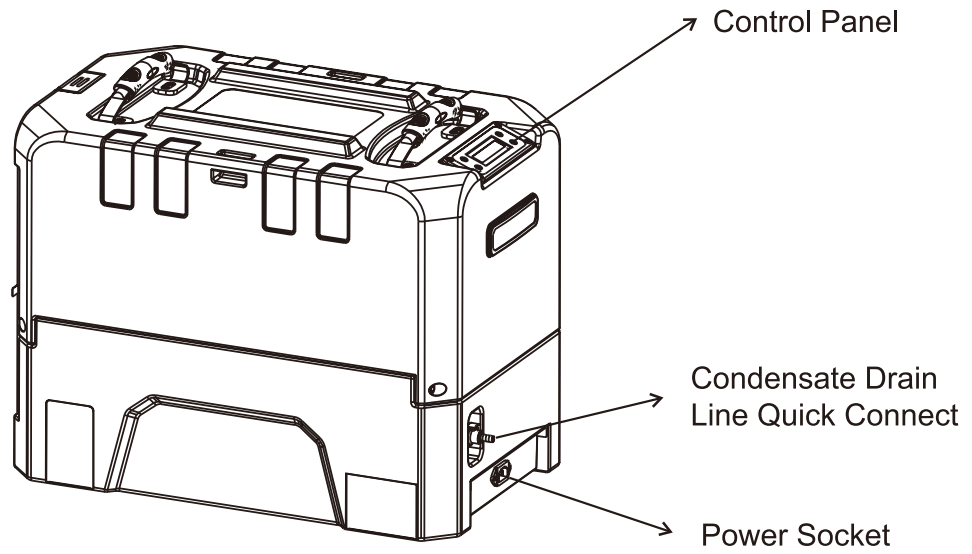
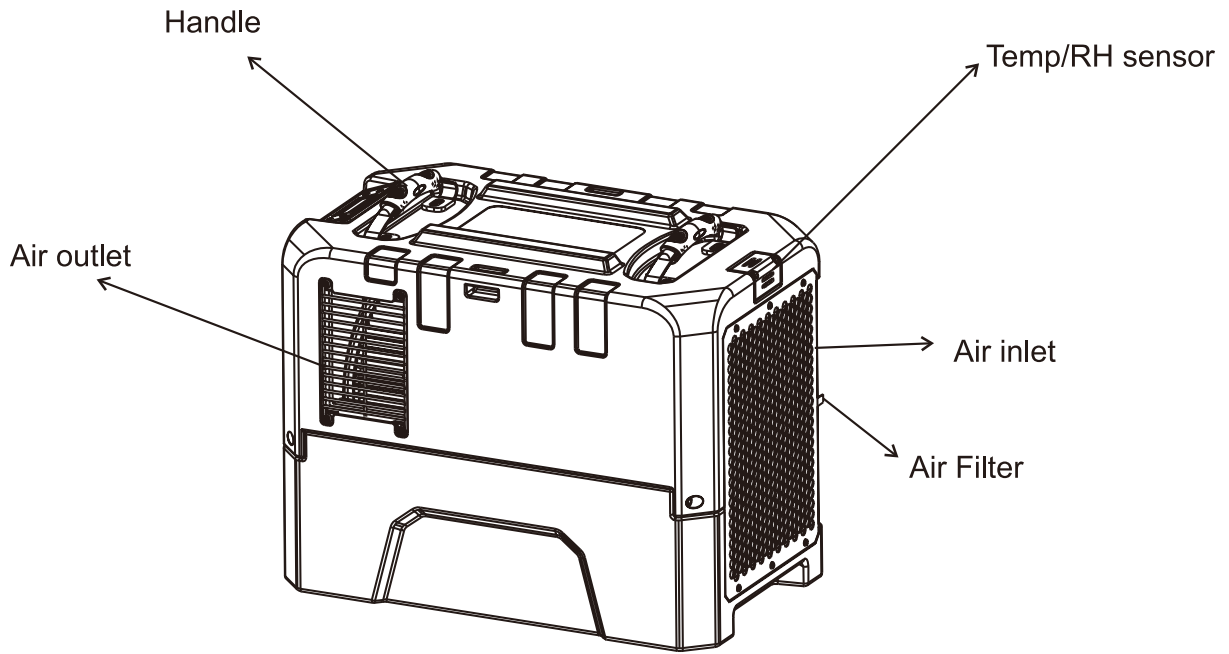
### Drain Hose Notes

- Storm LGR Extreme is equipped with an external drain line connection, making it easy to plug in.
- The drain line can be directed outside or into any sink, drain, etc.
- For more effective draining, uncoil the entire hose before using.
- Never place the end of the hose higher than 15 feet.
- Always ensure that the drain hose is not blocked prior to use.

### Transportation Notes

- Always secure the dehumidifier during transportation
- If the unit is transported vertically, return it to a normal horizontal position, and let sit for 30 minutes prior to use.

# Parts Diagram



## Control Panel Guide



### Power Button

The Power Button is used to turn the dehumidifier on and off. You can also press this button while on a sub-menu if you wish to return to the main screen.

### Set Button

The Set Button is used to confirm your selected setting, as well as set the humidity level. Each time you press the button, the humidity level will increase 5% (between 35% and 90%). The default humidity level is 50%.

### Manual Drain Button

The Manual Drain Button is used before moving or storing the machine. Press the Manual Drain Button to remove water from the integral pump reservoir.

### Menu Button

The Menu Button is used to cycle through the different interfaces of the display screen. When cycling through the display, you'll be able to access nine different sub-menus (Job Hours, Life Hours, Inlet/Outlet Temperatures, Humidistat Mode, Humidity Setpoint, Temperature Measurement, Language, Coil Temperature, Compressor Current).

## Using the Display- Main Screen

### 1. Power On and Off

- To power on the machine, press the power button once. The display will show:

				P	o	w	e	r		O	n			

- To power off the machine, press the power button while on the main display screen. The display will show:

				U	N	I	T		O	F	F			

## 2. Setting Up the Unit

- Once the machine has powered on, you will see the following display:

U	N	I	T		O	N		0	0	.	0	H	R	S
I	N	L	E	T		0	0	°	C		0	0	%	

- UNIT ON-** means the unit is powered on.
- 00.0HRS-** describes any time the machine is running from power on to power off. It includes defrosting time, but does not include the standby time once the set point is reached. The working time can be reset using the sub-menu. If it is never reset, the time will accumulate with a maximum time of 99.9 hours. Once the maximum is reached, it will reset to zero.
- INLET 00°C 00%** describes the temperature and humidity of air inlet. You can switch the temperature measurement (°F/°C) in the sub-menu.
- When operating in the sub-menu, press the power key to return to the main menu.

## 3. Defrosting Screen

- When the unit enters defrosting mode, it will show “Defrost 000”. This is the countdown until defrosting is finished. After defrost is completed, it will return to the main interface.

**NOTE:** If you are in a submenu, you will not see the countdown until you return to the main interface.

	U	N	I	T		O	N		0	0	H	R	S
			D	E	F	R	O	S	T		0	0	0

- If you decide to power the machine off while it is defrosting, you will see “Wait for Defrost” on the screen. This indicates that the unit will power off after defrost is completed.

			W	A	I	T		F	O	R			
			D	E	F	R	O	S	T		0	0	0

## 4. Compressor

- This screen indicates the amount of time until the compressor starts running.

		P	L	E	A	S	E		W	A	I	T				
		C	O	M	P	.		D	E	L	A	Y		0	0	0

## 5. Pump

This screen indicates how much time is remaining before the pump has completed working. The countdown will start at 14 seconds.

P	U	M	P		P	U	R	G	I	N	G		0	0	



## Using the Display Sub-Menus

### 1. Job hours

			J	O	B		H	O	U	R	S			
						R	E	S	E	T	?	>		

- This screen allows you to clear the job hours. To clear the hours select “>”. This will clear the hours on the main screen, and “RESET” will no longer display on the sub menu. Once hours have accumulated, “RESET” will appear on the sub menu again.

### 2. Life Hours

			L	I	F	E		H	O	U	R	S		
			0	0	0	0	0	.	0	H	R	S		

- “Life Hours” describes the total working time of the dehumidifier. The life hours cannot be cleared.

### 3. Inlet/Outlet Temperatures

			I	N	L	E	T				O	U	T	L	E	T	
			0	0	°	0	0	%			0	0	°	0	0	%	

- “INLET00.00%” describes the temperature of the air inlet.
- “OUTLET00°00%” describes the temperature of the air outlet.

### 4. Humidistat Mode

- On this screen, you can switch from using the humidity set point to continuous mode.

			H	U	M	I	D	I	S	T	A	T			M	O	D	E
										O	N	>						

- When the display shows “ON” you can set the humidity.

			H	U	M	I	D	I	S	T	A	T			M	O	D	E
										O	F	F	>					

- When humidistat mode shows “OFF”, the unit is in continuous mode.

## 5. Humidity Setpoint

- This screen is used to select your humidity setpoint. Press the “>” button to set the humidity value between 35% to 90%. Each time you press the button, it will increase 5%.

			H	I	M	I	D	I	S	T	A	T			
			S	E	T	P	O	I	N	T		0	0	%	

## 6. Temperature Measurement

- This screen can be used to switch the temperature measurement between °C and °F. Press the > button to switch between the two measurements.

			T	E	M	P		U	N	I	T	S			
							°	C	>						

## 7. Language

- From this screen, you can choose your preferred language. Press the (>) button to switch between German, Spanish, and English.

			L	A	N	G	U	A	G	E				
			E	N	G	L	I	S	H					

## 8. Coil Temperature

			C	O	I	L		T	E	M	P			
				-	0	0	.	0	°	C				

- This screen shows the current temperature of the coils. If the temperature is below zero it will show “-”.

## 9. Compressor Current

C	O	M	P	R	S	S		C	U	R	R	E	N	T	
					0	.	0	0	A						

- This screen shows the working current of the compressor.

## Maintenance Instructions

### Before Use

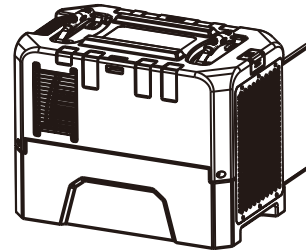
- Check the power cord for signs of damage such as fraying. Replace the cord before use if there is any damage.
- Check the filter for signs of dirt or obstructions. Clean or replace the filter as necessary.
- Check the coils for signs of buildup. Clean if needed.

### Cleaning the Machine Body

Use a soft, damp cloth to clean the exterior of the unit. Do not use any soap or solvents.

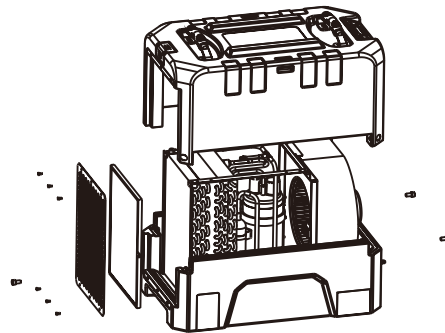
### Filter Maintenance

1. Unplug the unit.
2. Slide out the filter.
3. Check the filter for dirt and buildup.
4. **For a Pre-Filter or MERV-8:**  
Clean the filter mesh by vacuuming it or washing with warm water (no soap or cleaners). Gently shake the filter dry, then reinsert it.
5. **For a Carbon, or HEPA Filter:**  
If there is dirt or buildup, replace filter.



### Removing the Housing

1. Remove the screws on the housing.
2. Remove the screws on the air inlet grill and air outlet grill.



### Coil Maintenance

- Once per year, clean the coils with an approved coil cleaner.
- Coil cleaner should be a self-rinsing, foaming cleaner such as WEB® Coil Cleaner.

### Pump Maintenance

#### **Pump Access:**

Remove the screws on the housing, then lift off. Unplug the pump drain line, then remove the screws holding the pump in place.

#### **Cleaning the Pump Reservoir:**

Once the screws are removed, lift off the top of the pump and set aside. Use a paper towel to wipe off the base of the pump.

## Error Codes

If there is an issue with the dehumidifier, one of the following error codes will appear:

	E	1		L	0		H	I		E	5		E	4

- **E1 Error**

An E1 error code will appear if the humidity sensor has an error. The unit will not operate if an E1 code is present, however, you can still use the manual pump button.

- **LO Error**

A LO error code will appear if the temperature sensor detects the incoming air is below the operating temperature range (33°F). The unit will not operate if an LO code is present, however, you can still use the manual pump button. If the actual temperature is much higher than 33°F, replace the sensor.

- **HI Error**

A HI error code will appear if the temperature sensor detects the incoming air is above the operating temperature range (105°F). The unit will not operate if an HI code is present, however, you can still use the manual pump button. If the actual temperature is much lower than 105°F, replace the sensor.

- **E5 Error Code**

An E5 error code indicates that there is a refrigerant leak. Once an E5 error is detected, the unit will run for 30 minutes to verify the issue, then power off.

- **E4 Error Code**

An E4 error code indicates that there is an issue with the pump. The E4 code will appear once a high water level for the pump has been detected.

## Troubleshooting

Symptom	Cause	Solution
Display is Blank	Poor Connection	Verify that both ends of the power cord are plugged in
	Power Outage	Reset power
No Airflow	Filter is Dirty	Clean the filter
	Air Inlet or Outlet is Blocked	Clear the blockage
Error Code: E1	Humidity Sensor or Communication Error	Check to ensure that the sensor wire is connected at both ends. if no issues are visible, the sensor may be faulty.
Error Code: E4	Problem with Pump	Verify that the pump is properly installed and functioning. If so, unplug the unit for two minutes, then restart.
Error Code: LO	Room Temperature is below 33° F	Increase the room temperature so it is within operating range (above 33° F). If error still displays, check sensor.
Error Code: HI	Room Temperature is above 105° F	Decrease the room temperature so it is within operating range (below 105° F). If error still displays, check the sensor
E5 Error Code	Refrigerant Leak	Contact Your Installer for Assistance

## Dehumidifier Storage

If the unit will be stored for an extended period of time, complete the following steps:

1. Turn off the unit and allow it to dry.
2. Clean out the pump reservoir.
3. Wrap and secure the power cord
4. Cover filter mesh.
5. Store in clean, dry space

## Limited Warranty

This limited warranty starts from the date of purchase. Alorair Solutions Inc. warrants to the original purchaser that this ALORAIR product is free from manufacturing defects in material or workmanship for the limited warranty period of:

**Six (6) Month parts and labor.** This includes the shipments charges for replacement parts or unit.

**One (1) year parts and labor.** This does not include the shipment charge to send the defective product back to be repaired or replaced.

**Three (3) years parts and labor on Refrigeration System ONLY (Compressor, Condenser, and evaporator).** Transportation cost, not included.

**Five (5) years parts on Refrigeration System ONLY(Compressor, Condenser, and evaporator).** Transportation cost, not included.

This limited warranty is valid only on products purchased from the manufacturer or ALORAIR authorized dealer and operated, installed, and maintained according to the instructions included in this user guide or furnished with the product. Alorair Solutions Inc will not provide in-home service during or after the warranty period. You may be responsible for the shipping charge to bring the product to the manufacturer for service.

To receive warranty service, the purchaser must contact ALORAIR at 888-990-7469 or support@alorair.com. A proof of purchase or order number is required to receive warranty service. During the applicable warranty period, a product will be repaired or replaced at the sole option of ALORAIR.

## Limited Warranty Exclusions

This limited warranty covers manufacturing defects in materials or workmanship encountered in normal household, commercial or noncommercial use of this product and shall not cover the following:

- Damage occurs in uses for which this product was not intended for.
- Damage caused by unauthorized modification or alteration of the product.
- Cosmetic damage including scratches, dents, chips, and other damage to the product's finishes.
- Damage caused by abuse, misuse, pest infestation, accident, fire, floods, or other acts of nature.
- Damage caused by incorrect electrical line current, voltage, fluctuations, and surges.
- Damage caused by failure to perform proper maintenance of the product.

The use of this product in a SPA or a room with an OUTDOOR POOL invalidate or voids limited warranty.