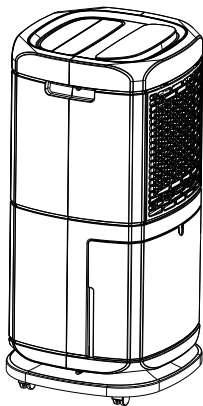


# **COLZER Dehumidifier User Manual**



**Model No.: PD582A**

Please read this user manual before operating and save for future reference.



## Welcome

Thanks for choosing COLZER dehumidifier!

COLZER is dedicated to keeping people healthy, comfortable and more enjoyable by offering quality appliances range from dehumidifiers, air purifiers, humidifiers to refrigerators, wine coolers, ice makers, and more. From breathing easier in your office to upgrading your kitchen appliances, we hope COLZER could help you every step of the way.

We do hope you'll enjoy the dehumidifier you purchased from us.

Before plugging in your new dehumidifier, we suggest that you read this user manual as it contains important safety information, operation instructions, troubleshooting, maintenance tips, and warranty information to ensure the reliability and longevity of your dehumidifier.

We also kindly ask you to take a few minutes to register your product at

**<https://colzer.com/pages/join-vip>** for more efficient support as well as updates, promos, and other cool stuff. Although greatly appreciated, product registration is not required to activate any warranty.

It is our goal that you are always happy with what you bought from us, so please let us know if your buying experience was anything short of excellent.

### **We're always just an email away**

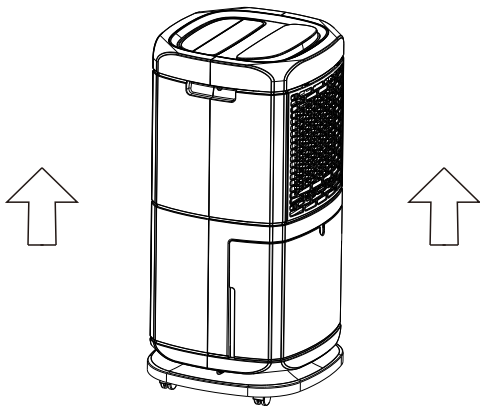
To access customer support, please email to **[service@colzer.com](mailto:service@colzer.com)** with your purchase order ID to help us address the problem faster and serve you better.

Thank you again!

## BEFORE FIRST USE:

Please leave the dehumidifier standing upright and outside the box for **24 HOURS** before plugging it in.

The dehumidifiers may have been tilted or placed upside down during shipping. Leave the dehumidifier to stand upright for 24 hours so the oil in the compressor can settle from the move, not doing so can affect the performance or lifespan of the dehumidifier.



# CONTENTS

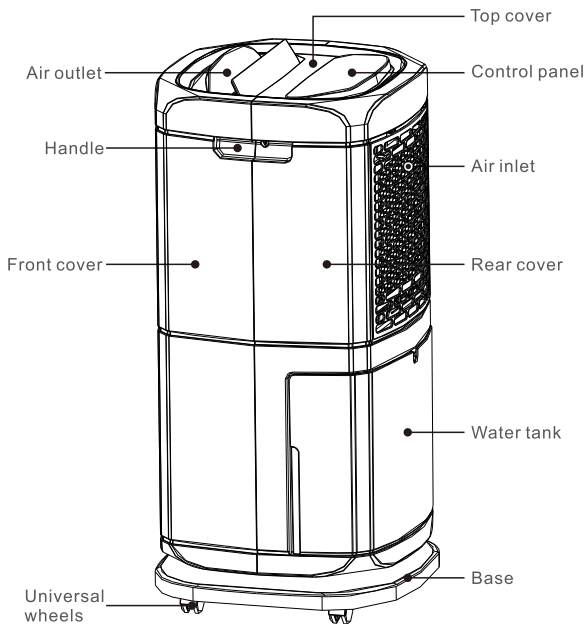
<b>SAFETY INFORMATION</b> .....	<b>1</b>
<b>PARTS IDENTIFICATION</b> .....	<b>2</b>
<b>OPERATION INSTRUCTIONS</b> .....	<b>3</b>
1. Position Your Dehumidifier.....	3
2. Plug in.....	3
3. Turn the Dehumidifier On.....	3
4. Understand the Control Panel.....	4
(1) Understand the LCD Display.....	4
(2) Understand the Control Buttons.....	5
5. Select Proper Mode.....	6
(1) DH (DEHUMIDIFY) Mode.....	6
(2) DRY (Laundry Dry) Mode.....	7
6. Timer Setting.....	7
7. Drain Collected Water.....	8
(1) Emptying the Water Bucket.....	8
(2) Continuous Drain by Gravity.....	9
8. Smart Functions.....	10
(1) Auto Shut Off.....	10
(2) Wait 3 Minutes before Resuming Operation.....	10
(3) Auto Defrost.....	11
(4) Auto-Restart.....	11
<b>MAINTENANCE</b> .....	<b>12</b>
1. Clean the Vent and Case.....	12
2. Clean the Reservoir.....	12
3. Clean the Air Filter.....	12
4. When Not Using dehumidifier for Long Periods of Time.....	13
<b>SPECIFICATION</b> .....	<b>14</b>
<b>TROUBLE SHOOTING</b> .....	<b>15</b>
1. Error Codes.....	15
2. Reset.....	15
3. Trouble Shooting.....	15
<b>WARRANTY</b> .....	<b>17</b>

## SAFETY INFORMATION

**To prevent injury and property damage, the following instructions must be followed when using the dehumidifier.**

1. Install the dehumidifier properly on a floor, table, or shelf that is level and strong enough to support it when the water bucket is full.
2. Do not place the dehumidifier near a heater.
3. Do not use the dehumidifier near flammable gas or combustibles, such as gasoline, benzene, thinner, etc.
4. Always plug into a grounded outlet properly.
5. Do not use if the power cord is broken or damaged.
6. Do not use the socket if it is loose or damaged.
7. Do not place a heavy object on the power cord and make sure that the cord is not compressed.
8. Do not modify power cord length.
9. Do not operate the dehumidifier with wet hands.
10. Do not place flower vases or other water containers on top of the dehumidifier.
11. Do not climb on or sit on the dehumidifier.
12. Do not operate or turn off the dehumidifier by plugging in or unplugging the dehumidifier. Use the control panel instead.
13. Disconnect the power if strange sounds, odors, or smoke come from the dehumidifier.
14. Hold the plug by the head when taking it out.
15. Make sure to turn off and unplug the dehumidifier before cleaning.
16. Use a soft cloth to clean. Do not use wax, thinner, or a strong detergent.
17. Do not clean the dehumidifier with water. If water enters the dehumidifier, turn off the dehumidifier immediately.
18. Care should be taken when using the dehumidifier in a room with the following persons: infants, children, the elderly and people not sensitive to humidity.
19. Never insert your finger or other foreign objects into grills or openings. Take special care to warn children of these dangers.
20. Turn off and disconnect the power when not using the dehumidifier for a long time.

## PARTS IDENTIFICATION

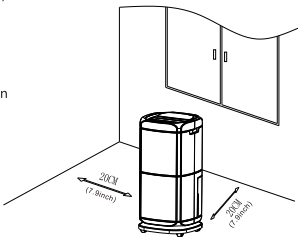


**NOTE: DO NOT OBSTRUCT THE AIR INLET AND/OR OUTLET.**

## OPERATION INSTRUCTIONS

### 1. Position Your Dehumidifier

- Place the dehumidifier on a smooth, level floor that is strong enough to support the dehumidifier with a full bucket of water.
- To maintain efficiency, operate the dehumidifier in an enclosed area. Keep nearby doors and windows closed.
- Maintain a minimum clearance of 20 cm (7.9 inches) on the sides and back of the dehumidifier and 40 cm (16 inches) on the top of the dehumidifier to allow for proper air circulation.
- To use the dehumidifier to dry wet clothes, maintain a minimum clearance of 40 cm (16 inches) to the air outlet of the dehumidifier to avoid water dripping into the dehumidifier.
- The functioning temperature range is between 5°C (41°F) and 35°C (95°F).



### 2. Plug in

#### IMPORTANT

Please let the dehumidifier stand upright for **24 hours** before initial plugging in.

Uncoil the power cord and plug it firmly into a properly grounded 110-120 volt AC outlet. After plugged in, the control panel will light up for 1-2 seconds and then goes off, which is the normal self-diagnose process and does not require any user intervention.

### 3. Turn the Dehumidifier On

Press the **POWER** button to turn the dehumidifier on. Typically, the dehumidifier will run in the default setting with set humidity 30% at low fan speed in the normal DEHUMIDIFY mode.

NOTE: If the dehumidifier does not run automatically and you see the "WATER FULL" icon illuminate, please



remove the water bucket and re-install it properly.

#### 4. Understand the Control Panel

The touch-pad control panel features a large LCD display on the top and 8 buttons on the bottom.



##### (1) Understand the LCD Display

- **The left digital number (8** besides the **FAN icon** on the above illustration) indicates the fan speed.
- **The middle digital number (88<sup>RH%</sup>** on the above illustration) is humidity reading. If no operations on the control panel, the big font number is the humidity readout of the inlet air the dehumidifier detects which is similar to the room humidity level. When you are pressing the **SETUP** button to set the target humidity percentage value, this digital number will turn to display the previous setting value and flash.
- **The right digital number (18.8<sup>°</sup>** on the above illustration) is temperature reading of the inlet air which is similar to the room temperature. When the timer function has been activated, this digital number will turn to countdown the time remaining as **88**.
- **WATER FULL Icon:** The "WATER FULL" icon will light up when the bucket is full of water, as a reminder to empty the water bucket. Empty the bucket and re-install the bucket properly to resume regular functioning.
- **DEFROST Icon:** The dehumidifier begins to defrost when the frost has accumulated on the interior of the dehumidifier and the defrost icon displays on the LCD screen. The dehumidifying function will cease until the frost has melted. And the defrosting icon will disappear when the dehumidifier has stopped defrosting. When defrosting is complete, the dehumidifier begins to dehumidify again

automatically.

**Note:** The frequent defrost process indicates that the room temperature is too cold. Therefore, if the room temperature is lower than 60°F, please consider adding heat to promote proper drying.

- **SWING Icon:** The SWING icon illuminates when the louvers are automatically swinging. The SWING icon turns off when the louvers stop swinging.
- **DEHUM. Icon:** The DEHUM. Icon illuminates when the dehumidifier is in normal DEHUMIDIFY mode.
- **DRYING Icon:** The DRYING icon illuminates when the dehumidifier is in DRYING (clothes) mode.
- **HUMIDITY CONTROL Icon:** The HUMIDITY CONTROL icon lights up when the dehumidifier has got the room humidity low to the set-point in the HUMIDSTAT MODE.
- **Timer Icon:** The Timer icon illuminates when the timer function is enabled.
- **CHILD LOCK Icon:** The CHILD LOCK icon lights up when the control panel has been locked.

## **(2) Understand the Control Buttons**

- **ON/OFF Button:** Press to turn the dehumidifier ON or OFF.
- **TIMING Button:** Use this TIMING button to set the timer function. When timer function is enabled, press this TIMING button will disable the timer setting.
- **MODE Button:** Press to switch the working mode between DH (DEHUMIDIFY) mode and DRY (Laundry Dry) mode.
- **SETUP Button:** Press the SETUP button repeatedly to adjust the set-point of humidity level between 30%-80% (in 5% increments) during normal DEHUMIDIFY (DH) mode. The middle digital number on the display will flash when changes are being made.  
**NOTE:** The SETUP button will be disabled in the DRY-CLOTHES (DRY) mode.
- **SPEED Button:** Press the SPEED button to set the fan speed to low or high in the normal DEHUMIDIFY (DH) mode. The left digital number on the display will flash when changes are being made.  
**NOTE:** The SPEED button will be disabled in the DRY-CLOTHES (DRY) mode.
- **SWING Button:** Press to let the louvers STOP/START auto-swinging. Typically, the louvers are defaulted to swing up and down between the angle of 40° and 90° to circulate the air. Press the SWING button to keep the airflow direction in a constant position of its last opening angle, and the SWING icon will disappear. When the louvers stop swinging, press the SWING button again, the louvers will restart to auto-swing up and down.

- **LIGHTING Button:** Press the LIGHTING button, the backlight of the buttons other than the POWER button and the LIGHTING button will be out and these buttons will be disabled, while the dehumidifier maintains running status. Press the LIGHTING button again to restore the backlight and functions of these buttons.
- **CHILD-LOCK Button:** Press and hold CHILD LOCK button for 5 seconds to lock or unlock the control panel.

## 5. Select Proper Mode

### **(1) DH (DEHUMIDIFY) Mode**

In the DH (DEHUMIDIFY) mode, the dehumidifier will automatically stop and restart based on the humidity setting, which is called Humidstat Mode, hence maintaining the room humidity within the range of  $\pm 3\%$  of the set point.

For example, the set humidity is 50%, the dehumidifier will automatically stop working when the room humidity reaches 47%, and then automatically restart when the room humidity raises up to 53%.

#### **NOTE:**

- When the set humidity level is not at least 3% lower than the room humidity level, the dehumidifier won't start, and HUMIDITY CONTROL icon will flash.
- When the room humidity level has been dropped down to the set-point, the dehumidifier will auto stop dehumidifying and the HUMIDITY CONTROL icon will light up.
- If you set the target humidity at 30%, the dehumidifier will run continuously until the water bucket is full, which is called CONTINUOUS Mode.

#### **To run the dehumidifier in the normal DEHUMIDIFY mode:**

- **Select DH (DEHUMIDIFY) Mode:** Press the MODE button until you see the "DH" icon light up on the display.
- **Check the Room Humidity:** Typically, the middle digital number on the display is the humidity readout of the inlet air, which is similar to the room humidity level.
- **Set Your Desired Humidity:** After selecting DEHUMIDIFY mode, press the SETUP button repeatedly to adjust the set-point of humidity level between 30%-80% in 5% increments. The

middle digital number will turn to display the previous humidity set-point and then flash when changes are being made. The set humidity needs to be at least 5% lower than the room humidity. After you have selected the desired value, please wait for 5 seconds until the digital number turns to statically display the room humidity reading, during which time the setting will be automatically registered.

- **Let the Dehumidifier Run.** The dehumidifier will automatically stop when the room humidity reaches the target RH% or when the water bucket is full.

★ You can also use the **SPEED** button to change the fan speed to LOW or HIGH. The larger the left digital number, the higher the fan speed. High fan speed will result in quicker moisture removal.

## **(2) DRY (Laundry Dry) Mode**

Press the MODE button until you see the "DRY" icon light up on the display to select DRY-CLOTHES mode. In the DRY-CLOTHES mode, the dehumidifier will run continuously at high fan speed.

**Note:** In the DRY-CLOTHES mode, the SETUP button is disabled.

### **How to use the DRY-CLOTHES mode better?**

- Hang the clothes in a small room; (maintain a minimum clearance of 40 cm (16 inches) to the air outlet of the dehumidifier to avoid water dripping into the dehumidifier.)
- Close the windows and doors;
- Run the dehumidifier in the DRY-CLOTHES mode.

## **6. Timer Setting**

The TIMER function enables you to either delay AUTO-ON or delay AUTO-OFF the dehumidifier in the choice from 1 hour to 24 hours.

- **Setting an AUTO-ON timer:** When the dehumidifier is off, selecting Timer will turn the dehumidifier on in the hours that will be set.

- **Setting an AUTO-OFF timer:** When the dehumidifier is on, selecting Timer will turn the dehumidifier off in the hours that will be set.

### **Follow the below steps to set the TIMER:**

1) Press the TIMING button once, the timer icon will light up and the right digital number will turn to display as **00<sub>h</sub>** and flash;

- 1) Adjust the timer setting by pressing the TIMING button repeatedly to change the delay timer at 1-hour increments, up to 24 hours;
- 2) After selecting the target timer value, wait for 5 seconds to let the setting be registered automatically;
- 3) The control will count down the time remaining and the right digital number displays the time remaining (8,7,6, etc.) until the dehumidifier either ON or OFF.
- 4) After the timer setting finishes, pressing the TIMING button again to disable the timer setting.

**Note:**

- When the TIMER function is activated, to check the room temperature reading, press and hold the SPEED button for 3-5 seconds, the LCD will display the room temperature readout in Fahrenheit for about 5 seconds.
- Before entering AUTO ON timer setting, turn on the dehumidifier to set a target humidity level first. Otherwise, the humidity maintained will be the same as the previous setting.
- You can only set AUTO ON timer when the dehumidifier is off or set AUTO OFF timer when the dehumidifier is on, but you will not be able to set both AUTO ON and AUTO OFF timer at the same time.
- The TIMER will ONLY function one time instead of cycling the dehumidifier on or off indefinitely.
- Before entering the TIMER setting, make sure power is being supplied to the dehumidifier.
- Set the timer 00, the timer function will not be activated.
- Once the dehumidifier has been turned ON/OFF manually, the pre-set AUTO ON/OFF timer setting will be canceled.

## **7. Drain Collected Water**

### **(1) Emptying the Water Bucket**

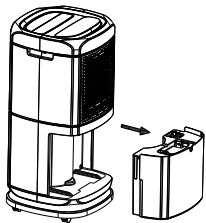
When the bucket is full, the dehumidifier will automatically stop working and make a beep sound for 5 seconds. Meanwhile, the LCD will display an E7 error message and the FULL BUCKET icon will illuminate. Do not move the dehumidifier at this time in case the water spills on the floor.

**To remove the bucket to empty the collected water:**

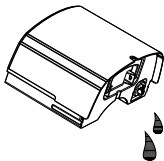
- Gently remove the water bucket from the dehumidifier by gripping both left and right sides and pulling outward;
- Open the drain outlet lid on the bucket cover and then empty the bucket;
- Replace the water bucket in the dehumidifier. The dehumidifier will auto eliminate the E7 error and

resume operation in 1-3 minutes after the water bucket been replaced properly.

- 1**. Pull out the bucket at the bottom



- 2**. Empty the tank and put it back in place



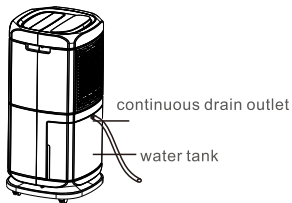
## (2) Continuous Drain by Gravity

Water can be automatically be emptied into a floor drain by attaching the included drain hose.

**NOTE:** You can use any other hoses with inner diameter of 5/8 (0.63) inches instead.

### To Achieve Continuous Drain by Gravity:

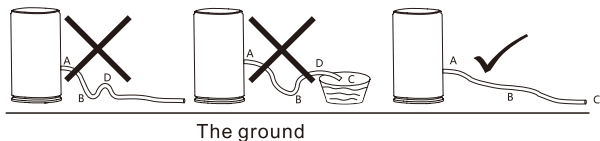
- Remove the plastic cover from the continuous drain outlet;
- Remove the water bucket;
- Find the continuous drain outlet as illustrated;
- Attach one end of the drain hose to the drain outlet;
- Replace the water bucket in the dehumidifier properly;
- Direct the other end of the drain hose down to a suitable drainage facility, like a floor drain. The drainage facility should be lower than the drain outlet of the dehumidifier.



### **Note:**

- Make sure the connection is tight and there is no leaking.

- Be sure to run the water hose sloping downward to let the water flow out smoothly. No kinks or bent.
- To improve gravity draining, you can raise the dehumidifier onto another higher and flat surface, like a table.
- If the condensation water would be drained out to an external container via the hose, be sure NOT to submerge the other end of the hose into the drained out water.
- It is recommended to use a short hose. If the drain hose is too long, water may not drain completely, which can lead to stagnant water and mildew build up inside the hose.
- When the continuous drain feature is not being used, remove the drain hose from the outlet.



## 8. Smart Functions

### (1) Auto Shut Off

When the bucket is full and/or the room humidity reaches the set point, the dehumidifier will stop working automatically.

- When the water bucket is full, the LCD will display an E7 code, the WATER FULL icon will illuminate and the dehumidifier will make a beep sound for a few seconds.
- When the room humidity is down to the set-point, the HUMIDITY CONTROL icon will illuminate.

### (2) Wait 3 Minutes before Resuming Operation

To avoid any damage to the dehumidifier, the compressor will not start operation following a complete cycle until after 3 minutes. The operation will automatically start after 3 minutes. For example, when the dehumidifier has been turned on immediately after being turned off, the compressor won't start until 3 minutes later. During the 3-minutes delay start time, you can see the Mode icon (DH or DRY) flashing which means the compressor does not kick in. When the compressor kicks in, you can feel the dehumidifier shakes a little and the Mode icon (DH or DRY) turns to statically illuminate.

**(3) Auto Defrost**

When the frost builds up on the evaporator coils, the compressor will cycle off and the fan will continue to run until the frost disappears.

**(4) Auto-Restart**

If the dehumidifier shuts off unexpectedly due to power being cut while it is running or in standby mode, the dehumidifier will restart with the previous function setting (working mode, set humidity, fan speed, and etc.) automatically when the power resumes.



## MAINTENANCE



**To avoid possible electric shock, ensure to turn the dehumidifier off and disconnect the plug from the power source before performing any cleaning or maintenance.**

### 1. Clean the Vent and Case

- Use water and mild detergent. Do not use bleach or abrasives.
- Do not splash water directly onto the main dehumidifier. Doing so may cause an electric shock or the insulation to deteriorate, or cause the dehumidifier to rust.
- The air intake and outlet vents get soiled easily, so use a vacuum attachment or brush to clean.

### 2. Clean the Reservoir

Every few weeks, clean the reservoir to prevent the growth of mold, mildew, and bacteria.

Follow the below steps to open the water bucket correctly to clean:

- Take out the water reservoir;
- Pick up the handle at an angle of 45° and then pull one side of the handle outward horizontally to take the handle off; (You may see the handle slots if you take a close look, which may help you to find the correct angle to take the handle out more easily.)
- Find the clasps on the bucket lid, press bucket inward to release the lid from the clasps;
- Partially fill the reservoir with clean water and add a little mild detergent;
- Swish it around in the reservoir, empty and rinse.

**NOTE:** Do not clean the reservoir in a dishwasher.

### 3. Clean the Air Filter

The air filter is located behind the rear intake grill to prevent dust coming into the dehumidifier.

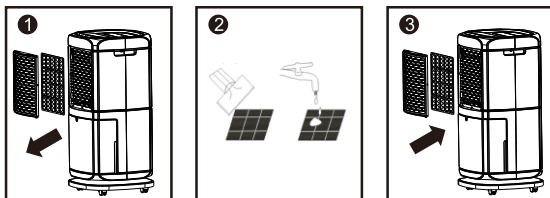
The filter should be cleaned approximately every 2 weeks and may require more frequent cleaning if there is significant dander or fur in the air.

#### **Follow the steps below to clean the filter:**

- Grasp the top of the air inlet grill and pull the grill out. The filter is attached behind the grill.
- Use a vacuum cleaner with a soft brush attachment to remove any large debris or dust build-up from the filter.
- Wash the filter in lukewarm, soapy water, below 40°C (104°F), or use a neutral cleaning agent.

- Rinse the filter with clean water and dry thoroughly.
- Re-install the filter.

**NOTE:** DO NOT operate the dehumidifier without a filter because dirt and lint will clog it, hence reducing performance.



#### 4. When Not Using dehumidifier for Long Periods of Time

- Operate the dehumidifier on high fan mode for half a day, and then wait 1 day before emptying the reservoir.
- Clean the main dehumidifier, water reservoir, and air filter. Ensure the whole dehumidifier is clean and dry.
- Wrap the cord and drain pipe and bundle them to keep safe.
- Cover the dehumidifier with a plastic bag.
- Store the dehumidifier upright in a dry, well-ventilated place.

## SPECIFICATION

Model	PD582A
Power Source	110-120V, 60Hz
Rated Power (91.4°F, 85%)	880W
Rated Current (91.4°F, 85%)	7.9A
Moisture Removal Rate (65°F, 60%)	48 Pints/Day
Moisture Removal Rate (80°F, 60%)	75 Pints/Day
Moisture Removal Rate (86°F, 80%)	127 Pints/Day
Moisture Removal Rate (91.4°F, 85%)	140 Pints/Day
Airflow Rate	206 CFM, 350 CMH
Input Power (65°F, 60%)	490W
Input Current (65°F, 60%)	4.5A
IEF (65°F, 60%)	1.75 Liters/kWh
Refrigerant	R410a/15.87 oz
Water Bucket Capacity	2.1 Gallon
Product Dimensions	13.3*13.3*28.7 inch
Product Weight	50.7 Lbs

# TROUBLE SHOOTING

## 1. Error Codes

Error Code	Problem	Solution
E1	Humidity Sensor Malfunction	1. Check the humidity sensor and ensure it is in good condition. 2. Replace the humidity sensor.
E2	Defrost Temperature Sensor Malfunction	1. Check the temperature sensor and ensure it is in good condition. 2. Replace the temperature sensor.
E4	Inlet Temperature Sensor Malfunction	1. Check the temperature sensor and ensure it is in good condition. 2. Replace the humidity sensor.
E7	Water bucket is full.	Empty the water bucket.
	The water bucket has not been installed properly.	Re-install the water bucket properly.
	Float Malfunction	Replace the float of the water bucket.

When E1, E2, or E4 error displays, you can hear an alarm that could last 15 seconds. In this case, the dehumidifier is still running. You can follow the below steps to eliminate the error message:

- Pressing any button on the control panel to eliminate the alarm.
- Turn off the dehumidifier and unplug it to check if any obstructions.
- Restart the dehumidifier 10 minutes later.

If the ERROR message does not disappear after the restart, immediately contact COLZER customer service at [service@colzer.com](mailto:service@colzer.com).

## 2. Reset

Please try the below steps to reset the dehumidifier:

- 1) Turn the dehumidifier off;
- 2) Press and hold the LIGHTING button for 5 seconds, until **df** flashes on the LCD screen;
- 3) Press the MODE button once;
- 4) Wait for 5 seconds before any other operations.

## 3. Trouble Shooting

The below chart will help you solve common problems that may occur. If the problem you come across can not be fixed after troubleshooting or the problem is not listed in the below troubleshooting chart, please contact COLZER customer service to obtain professional support.

Problem	Possible Causes	Solutions
Dehumidifier can not turn on	The power cord is unplugged.	Plug it in.
	The fuse is blown or circuit breaker is tripped.	Check the fuse or the circuit breaker.
Dehumidifier is on, but it does not run.	The water bucket is full or not in the proper position.	Make sure the water bucket is empty and has been installed properly.
	The room humidity has reached the set-point. The HUMIDITY CONTROL icon will light up.	Set a lower humidity or let the dehumidifier keep in standby mode so it can auto ON when the room humidity level raises up.
	The room humidity is lower than the set humidity. The HUMIDITY CONTROL icon will light up.	The set humidity needs to be at least 5% (recommend 10%) lower than room humidity.
	The dehumidifier is in the defrosting process.	It is normal the compressor ceases during the defrosting process.
Insufficient Performance	Insufficient dehumidifying time.	When first installed, allow at least 3-4 days to maintain the desired RH.
	The room has not been sealed properly.	Ensure that all doors, windows and other openings are closed.
	The air filter is dirty.	Clean the air filter.
	Airflow has been blocked.	Ensure there are no obstructions block the airflow.
	There is something giving off water vapor in the room.	Remove those items or turn off such devices that give off vapor in the room.
	The room temperature is low.	Heat up the room.
Dehumidifier operates continuously	The dehumidifier size is too small for the room.	Increase the quantity of dehumidifiers. Or change a higher capacity dehumidifier.
	Check if the dehumidifier is in CONTINUOUS MODE.	Don't set the humidity too low. Typically, 40-50% are good settings to use.
	The room humidity is too high.	Change humidity settings. Or change a higher capacity dehumidifier.
Noise	Doors and windows are open.	Ensure that all doors, windows and other openings are closed.
	The dehumidifier's not positioned level.	Position the dehumidifier on a level surface.
	The water bucket is not in the proper position.	Re-install the water bucket properly.
Frost appears on the coils	The air filter is clogged.	Wash the filter.
	The dehumidifier has been turned on recently.	This is normal frost builds up on the coils, especially when the room temperature is low. The dehumidifier will defrost automatically.
Water leakage	Room temperature is close to or lower than 60°F.	
	Hose connection is loose.	Check the hose connection. Try to attach the other end of the hose to the outlet.
Water does not drain from the hose	Hose connection is loose.	Check the hose connection. Try to attach the other end of the hose to the outlet.
	Water flow has been restricted.	Hoses more than 7 feet long may not drain properly. It is recommended to keep the hose as short as possible. The hose must be placed lower than the bottom of the dehumidifier, and be kept flat and smooth without kinks.

## WARRANTY

COLZER offers a limited 2-year free warranty on this dehumidifier PD582A, with original proof of purchase (typically you may be only requested to offer the order number instead of an invoice) and where a defect has arisen, wholly or substantially, as a result of faulty manufacture, parts or workmanship during the warranty period.

The warranty does not apply where damage is caused by other factors, including without limitation:

- (a) normal wear and tear;
- (b) abuse, mishandling, accident, or failure to follow operating instructions;
- (c) exposure to liquid or infiltration of foreign particles;
- (d) servicing or modifications of the product other than by COLZER.

The COLZER warranty covers all costs related to restoring the proven defective product through repair or replacement of any defective part and necessary labor so that it conforms to its original specifications. A replacement product may be provided instead of repairing a defective product. COLZER's exclusive obligation under this warranty is limited to such repair or replacement.

We recommend that you register your product on our website <https://colzer.com/pages/join-vip>.

Although greatly appreciated, the product registration is not required to activate any warranty and product registration does not eliminate the need for the original proof of purchase.

These are our general terms for warranty service, but we always urge our customers to reach out to us with any issue, regardless of warranty terms. If you have an issue with a COLZER product, please contact us at [service@colzer.com](mailto:service@colzer.com), and we will do our best to resolve it for you.

### Website

[www.colzer.com](http://www.colzer.com)

### Email

[service@colzer.com](mailto:service@colzer.com)



说明书

PD582A (110V~60Hz) 美芝压缩机

**30700401354-06** 307-3336(00版本)

设计：何国锋 2020.8.31

审核：

批准：

特别说明：虚线框内内容非印刷内容，无需印刷