

COLZER Dehumidifier User Manual

Model No.: PD123A, PD223A

Please read this User Manual before operating and keep safe for future reference.

BEFORE FIRST USE:

To prevent any internal damage, it is very important to keep refrigeration products (like this dehumidifier) upright throughout their journey. Please leave it standing upright and outside the box for **24 HOURS** before plugging it in.

Welcome

Thanks for choosing us!

COLZER is dedicated to keeping people healthy, comfortable and more enjoyable by offering quality appliances range from dehumidifiers, air purifiers, humidifiers to refrigerators, wine coolers, ice makers, and more. From breathing easier in your office to upgrading your kitchen appliances, we hope you trust COLZER to help you every step of the way.

We do hope you' ll enjoy the dehumidifier you purchased from us.

Before plugging in your new dehumidifier, we suggest that you read this user manual as it contains important safety information, operation instructions, troubleshooting, maintenance tips, and warranty information to ensure the reliability and longevity of your dehumidifier.

We also kindly ask you to take a few minutes to register your product at www.colzer.com/pages/join-vip for more efficient support as well as updates, promos, and other cool stuff. Although greatly appreciated, product registration is not required to activate any warranty.

It is our goal that you are always happy with what you bought from us, so please let us know if your buying experience was anything short of excellent.

We're always just an email away

To access customer support, please email to service@colzer.com with your purchase order ID to help us address the problem faster and serve you better.

Thank you again!

CONTENTS

SAFETY INFORMATION	1
PARTS IDENTIFICATION	2
CONTROL PANEL IDENTIFICATIONS	3
1. Understand the Top Control Panel	3
1) Understand the Control Buttons	3
2) Understand the LCD Display	4
2. Understand the Front Display	5
OPERATION INSTRUCTIONS	5
1. Position Your Dehumidifier	5
2. Plug in	5
3. Turn the Dehumidifier On	6
4. Select Working Mode	6
1) DH (DEHUMIDIFY) Mode	6
2) DRY (Laundry Dry) Mode	7
5. Timer Setting	7
6. Drain Collected Water	8
1) Emptying the Water Bucket	8
2) Continuous Drain by Gravity	9
7. Smart Functions	10
1) Auto Shut Off	10
2) Wait 3 Minutes before Resuming Operation	10
3) Auto Defrost	10
4) Auto-Restart	10
MAINTENANCE	11
1. Clean the Vent and Case	11
2. Clean the Reservoir	11
3. Clean the Air Filter	11
4. When Not Using dehumidifier for Long Periods of Time	12
SPECIFICATION	13
TROUBLE SHOOTING	14
1. Error Codes	14
2. Reset	14
3. Trouble Shooting	14
WARRANTY	16

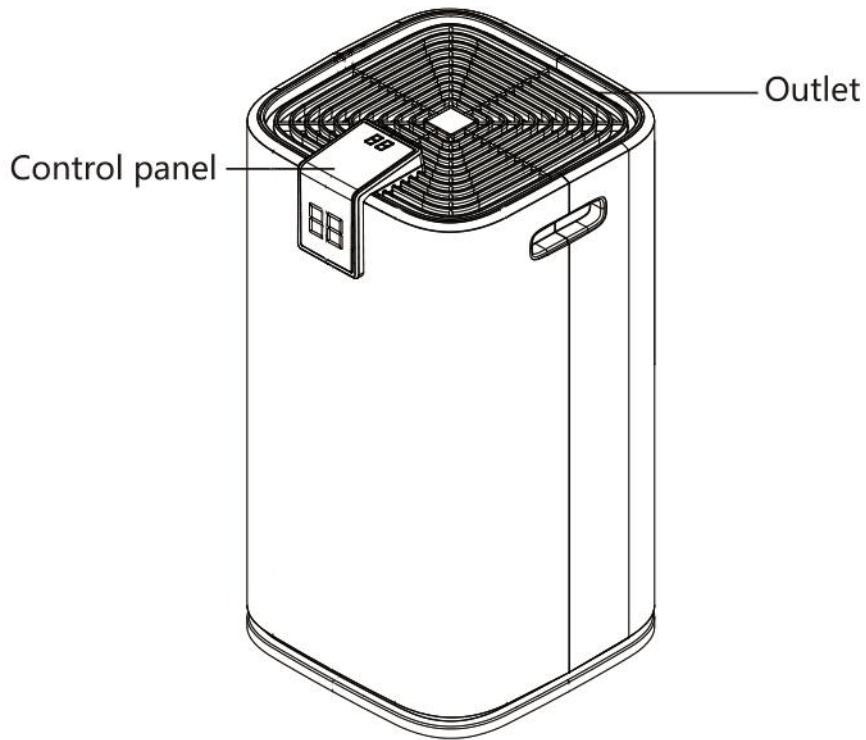
『SAFETY INFORMATION』

To prevent injury to the user or other people and property damage, the following instructions must be followed when using the dehumidifier.

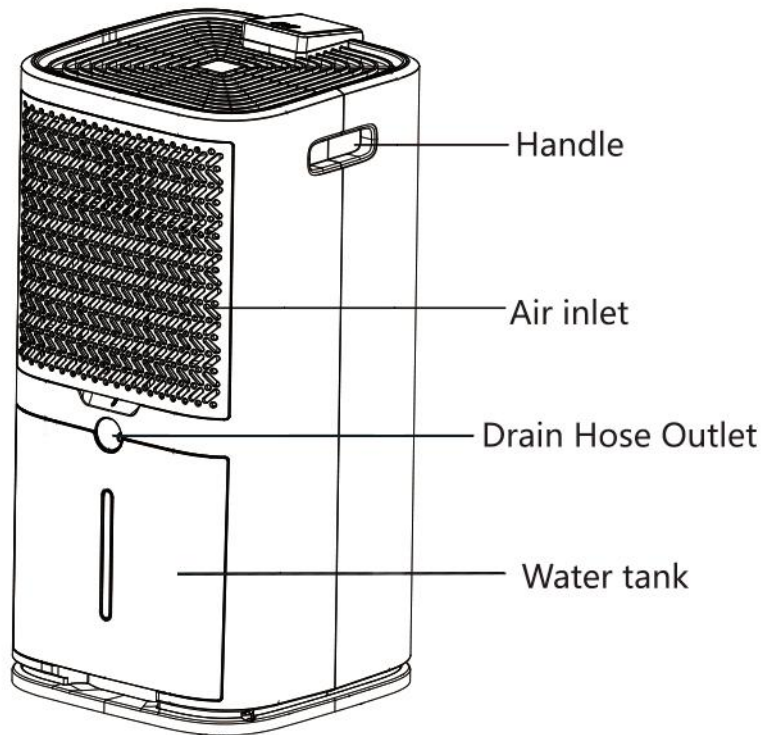
1. Install the dehumidifier properly on a floor, table, or shelf that is level and strong enough to support it when the water bucket is full.
2. Do not place the dehumidifier near a heater.
3. Do not use the dehumidifier near flammable gas or combustibles, such as gasoline, benzene, thinner, etc.
4. Always plug into a grounded outlet properly.
5. Do not use if the power cord is broken or damaged.
6. Do not use the socket if it is loose or damaged.
7. Do not place a heavy object on the power cord and make sure that the cord is not compressed.
8. Do not modify power cord length or share the outlet with other dehumidifiers.
9. Do not operate the dehumidifier with wet hands.
10. Do not place flower vases or other water containers on top of the dehumidifier.
11. Do not climb on or sit on the dehumidifier.
12. Do not operate or turn off the dehumidifier by plugging in or unplugging the dehumidifier. Use the control panel instead.
13. Disconnect the power if strange sounds, odors, or smoke come from the dehumidifier.
14. Hold the plug by the head when taking it out.
15. Never try to take apart or repair the dehumidifier by yourself.
16. Make sure to turn off and unplug the dehumidifier before cleaning.
17. Use a soft cloth to clean. Do not use wax, thinner, or a strong detergent.
18. Do not clean the dehumidifier with water. If water enters the dehumidifier, turn off the dehumidifier immediately.
19. Care should be taken when using the dehumidifier in a room with the following persons: infants, children, the elderly and people not sensitive to humidity.
20. Never insert your finger or other foreign objects into grills or openings. Take special care to warn children of these dangers.
21. Turn off and disconnect the power when not using the dehumidifier for a long time.

『PARTS IDENTIFICATION』

Front

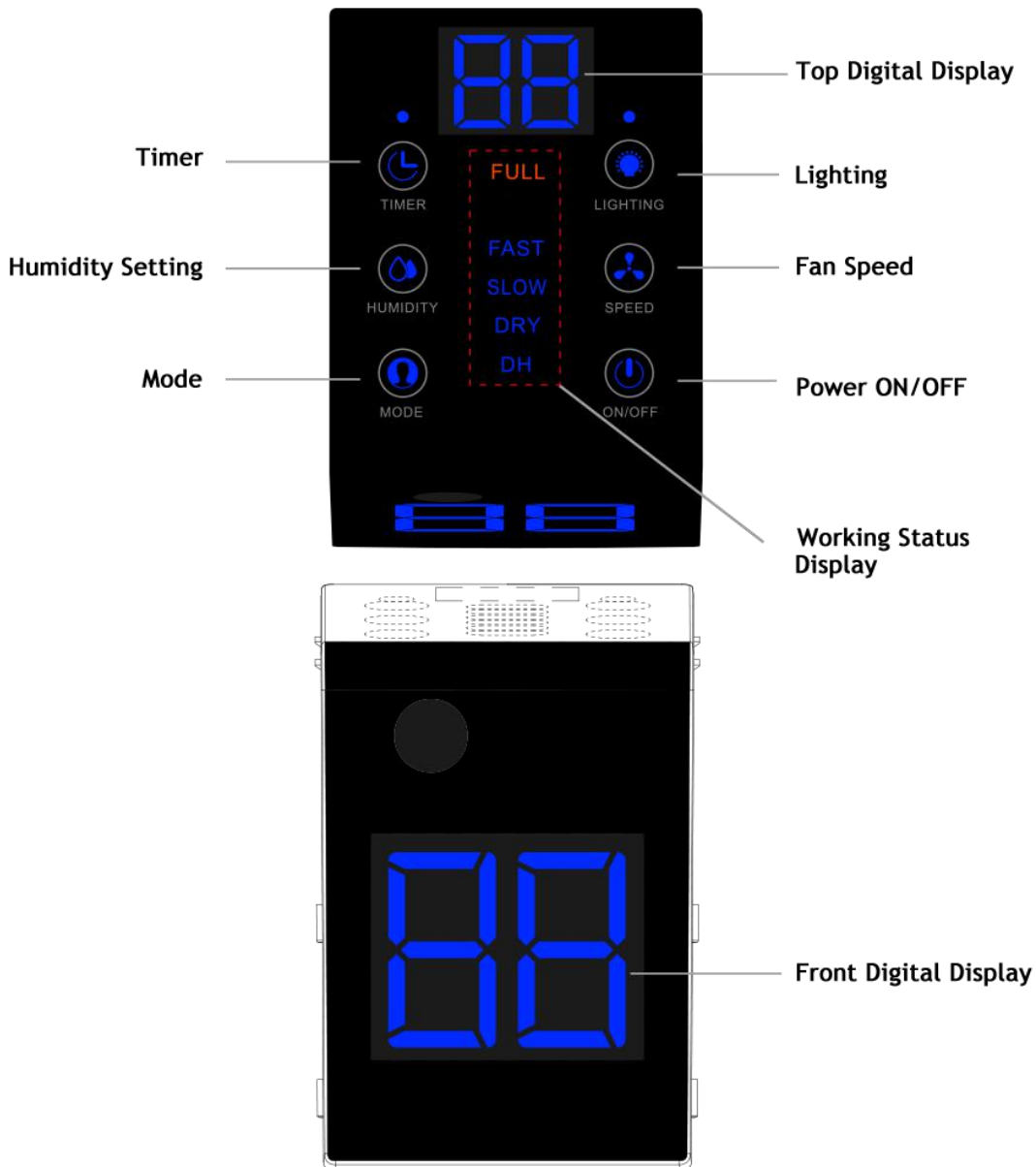


Rear



NOTE: DO NOT OBSTRUCT THE AIR INLET AND/OR OUTLET.

『CONTROL PANEL IDENTIFICATIONS』



1. Understand the Top Control Panel

The top control panel features a digital display and 6 buttons.

1) Understand the Control Buttons

POWER Button: Press to turn the dehumidifier ON or OFF.

Mode Button: Press to switch the working mode between DH (DEHUMIDIFY) mode and DRY (Laundry Dry) mode.

HUMIDITY Button: Press the HUMIDITY button repeatedly to adjust the set-point of humidity level between 30%-80% (in 5% increments) during normal DEHUMIDIFY (DH) mode. The digital number on the display will flash when changes are being made.

NOTE: The HUMIDITY button will be disabled in the DRY-CLOTHES (DRY) mode.

SPEED Button: Press the SPEED button to set the fan speed to FAST or SLOW in the normal DEHUMIDIFY (DH) mode.

NOTE: The SPEED button will be disabled in the DRY-CLOTHES (DRY) mode.

TIMER Button: Use this TIMER button to set an AOTU-ON or AUTO-OFF timer, between 1-24 hrs. When timer function is enabled, the system will countdown the time remaining and you can check the time remaining by pressing the TIMER button once.

LIGHTING Button: Press the LIGHTING button to send the display to sleep status where the digital display and the backlight of the buttons other than the POWER button and the LIGHTING button will go off and these buttons will be disabled, while the dehumidifier maintains running status. The indicator light above the LIGHTING button will light up in this case. Press the LIGHTING button again to restore the backlight and functions of these buttons.

NOTE: Press and hold the SPEED button for 3-5 seconds, the LCD will show the room temperature readout in Fahrenheit. 5 seconds later, the LCD will turn back to display the room humidity readout.

2) Understand the LCD Display

The BIG FONT Digital Number is humidity reading. If no operations on the control panel, the number is the humidity percentage readout of the inlet air the dehumidifier detects which is similar to the room humidity level. When you are pressing the HUMIDITY button to set the target humidity percentage value, the digital number will turn to display the setting value and flash.

FULL: The "Full" icon will light up when the bucket is full of water, as a reminder to empty the water bucket. Empty the bucket and re-install the bucket properly to resume regular functioning.

FAST: The "FAST" icon will light up when the FAN speed was set to high.

SLOW: The "SLOW" icon will light up when the FAN speed was set to low.

DRY: The "DRY" icon will light up when the DRY-CLOTHES mode has been selected.

DH: The “DH” icon will light up when the normal DEHUMIDIFY mode has been selected.

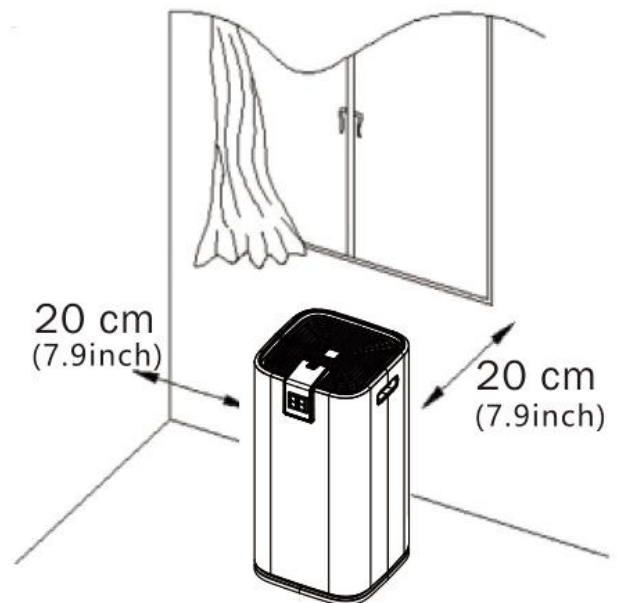
2. Understand the Front Display

The front display displays the same content, like humidity readout or error codes, as the digital display on the top control panel. So you can read the room humidity level on the front display easily, in a visible distance.

『OPERATION INSTRUCTIONS』

1. Position Your Dehumidifier

- Place the dehumidifier on a smooth, level floor that is strong enough to support the dehumidifier with a full bucket of water.
- To maintain efficiency, operate the dehumidifier in an enclosed area. Keep nearby doors and windows closed.
- Maintain a minimum clearance of 20 cm (7.9 inches) on the sides and back of the dehumidifier and 40 cm (16 inches) on the top of the dehumidifier to allow for proper air circulation.
- To use the dehumidifier to dry wet clothes, maintain a minimum clearance of 40 cm (16 inches) to the air outlet of the dehumidifier to avoid water dripping into the dehumidifier.
- The recommended ambient operating temperature is between 5°C (41°F) and 35°C (95°F).



2. Plug in

IMPORTANT

Please let the dehumidifier stand upright for 24 hours before the first time plugging in. The dehumidifiers may have been tilted or placed upside down during shipping. Leave the dehumidifier to stand upright for 24 hours so the oil in the compressor can settle from the move, not doing so can affect the performance or lifespan of the dehumidifier.

Uncoil the power cord and plug it firmly into a properly grounded 110-120 volt AC outlet. After plugged in, the control panel will be light up for 1-2 seconds and then goes off, which is the normal self-diagnose process and does not require any user intervention.

3. Turn the Dehumidifier On

Press the **POWER** button to turn the dehumidifier on. Typically, the dehumidifier will run in the default setting of 30% set humidity at low fan speed in the normal DEHUMIDIFY mode.

NOTE: If the dehumidifier does not run automatically and you see the "FULL" icon illuminate, please remove the water bucket and re-install it properly.

4. Select Working Mode

1) DH (DEHUMIDIFY) Mode

In the DH (DEHUMIDIFY) mode, the dehumidifier will automatically stop and restart based on the humidity setting, which is called Humidstat Mode, hence maintaining the room humidity within the range of $\pm 3\%$ of the set point.

For example, the set humidity is 50%, the dehumidifier will automatically stop working when the room humidity reaches 47%, and then automatically restart when the room humidity raises up to 53%.

NOTE:

When the set humidity level is not at least 3% lower than the room humidity level, the dehumidifier won't start, and DH icon will flash.

When the room humidity level has been dropped down to the set-point, the dehumidifier will auto stop dehumidifying and the DH icon will flash.

If you set the target humidity at 30%, the dehumidifier will run continuously until the water bucket is full, which is called CONTINUOUS Mode.

To run the dehumidifier in the normal DEHUMIDIFY mode:

- **Select Mode:** Press the MODE button until you see the "DH" icon light up on the display to select the normal DEHUMIDIFY mode.
- **Check the Room Humidity:** when no operation on the control panel, the digital number on the display is the humidity readout of the inlet air, which is similar to the room humidity level.
- **Set Your Desired Humidity:** After selecting DEHUMIDIFY mode, press the HUMIDITY button repeatedly to adjust the set-point of humidity level between 30%-80% in 5% increments. The digital number will flash when changes are being made. The set humidity needs to be at least 5% lower than the room humidity. After you have selected the desired value, please wait for 5 seconds until

the digital number turns to statically display the actual room humidity, during which time the setting will be automatically registered.

- **Let the Dehumidifier Run.** The dehumidifier will automatically stop when the room humidity reaches the target RH% or when the water bucket is full.

★ You can also use the **SPEED** button to change the fan speed to FAST or SLOW. When the fan speed was set to high, the "FAST" icon will light up. When the fan speed was set to low, the "SLOW" icon will light up. High fan speed will result in quicker moisture removal.

2) DRY (Laundry Dry) Mode

Press the MODE button until you see the "DRY" icon light up on the display to select DRY-CLOTHES mode. In the DRY-CLOTHES mode, the dehumidifier will run continuously at high fan speed. Please note, in the DRY-CLOTHES mode, the HUMIDITY button and the SPEED button are disabled.

How to use the DRY-CLOTHES mode better?

- Hang the clothes in a small room; (maintain a minimum clearance of 40 cm (16 inches) to the air outlet of the dehumidifier to avoid water dripping into the dehumidifier.)
- Close the windows and doors;
- Run the dehumidifier in the DRY-CLOTHES mode.

5. Timer Setting

The TIMER function enables you to either Delay AUTO-ON or Delay AUTO-OFF the dehumidifier in the choice from 1 hour to 24 hours.

- **Setting an AUTO-ON timer:** When the dehumidifier is off, selecting Timer will turn the dehumidifier on in the hours that will be set.
- **Setting an AUTO-OFF timer:** When the dehumidifier is on, selecting Timer will turn the dehumidifier off in the hours that will be set.

Follow the below steps to set the TIMER:

- 1) Press the TIMER button once, the display will display 00 and flash;
- 2) Adjust the timer setting by pressing the TIMER button repeatedly to change the delay timer at 1-hour increments, up to 24 hours;
- 3) After selecting the target timer value, wait for 5 seconds to let the setting be registered automatically and the digital display turns to display the room humidity percentage level;
- 4) The control will count down the time remaining (8,7,6, etc.) until the dehumidifier either starts or stops. After the TIMER setting finishes, pressing the TIMER button again to check the time remaining.
- 5) To disable the timer, manually turn on/off the dehumidifier or set the timer at 00.

Note:

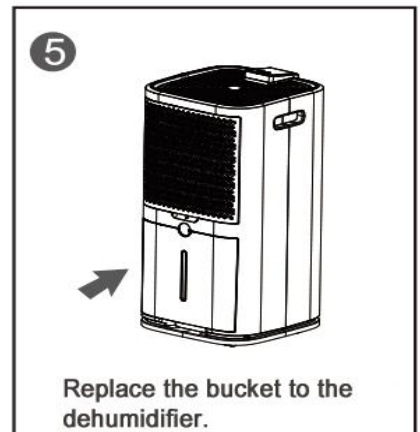
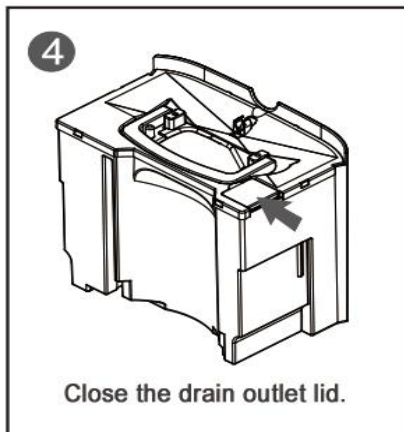
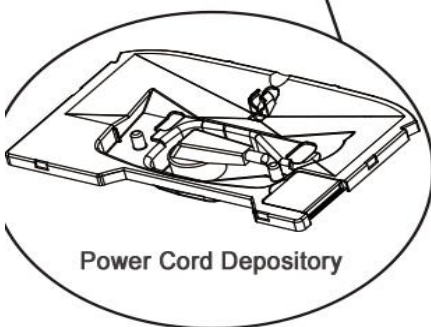
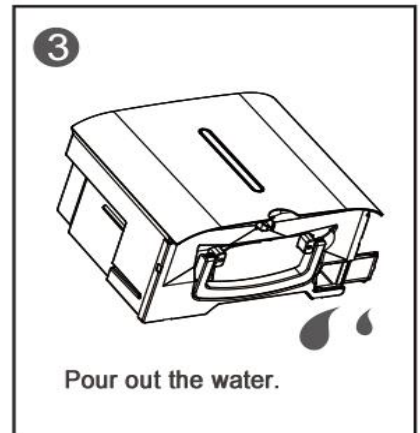
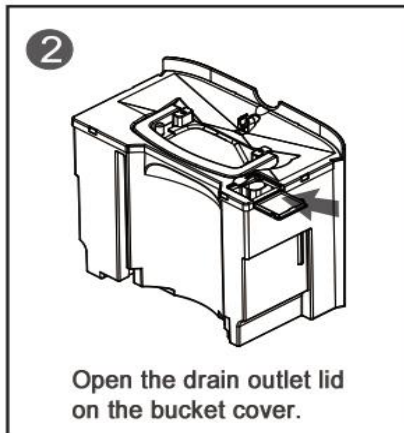
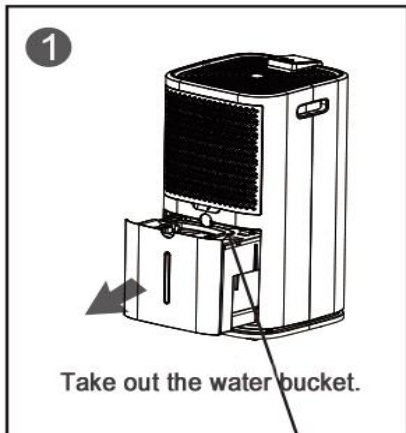
- For the AUTO ON setting, please turn on the dehumidifier to select a desired humidity level. Otherwise, the humidity maintained will be the same as the previous setting.
- You can only set AUTO ON timer when the dehumidifier is off or set AUTO OFF timer when the dehumidifier is on, but not be able to set both AUTO ON and AUTO OFF timer at the same time.
- The TIMER feature is one-shot. So The TIMER will ONLY function one time instead of cycling the dehumidifier on or off indefinitely.
- Before entering the AUTO ON TIMER setting, make sure power is being supplied to the dehumidifier.

6. Drain Collected Water

1) Emptying the Water Bucket

When the bucket is full, the dehumidifier will automatically stop working and make a beep sound for 5 seconds. Meanwhile, the LCD will display an E7 error message and the FULL BUCKET icon will illuminate. Do not move the dehumidifier at this time in case the water spills on the floor.

To remove the bucket to empty the collected water:



- Gently remove the water bucket from the dehumidifier by gripping both top and bottom sides and pulling outward;
- Open the drain outlet lid on the bucket cover and then empty the bucket;
- Replace the water bucket to the dehumidifier. The dehumidifier will auto eliminate the E7 error and resume operation in 1-3 minutes after the water bucket been replaced properly.

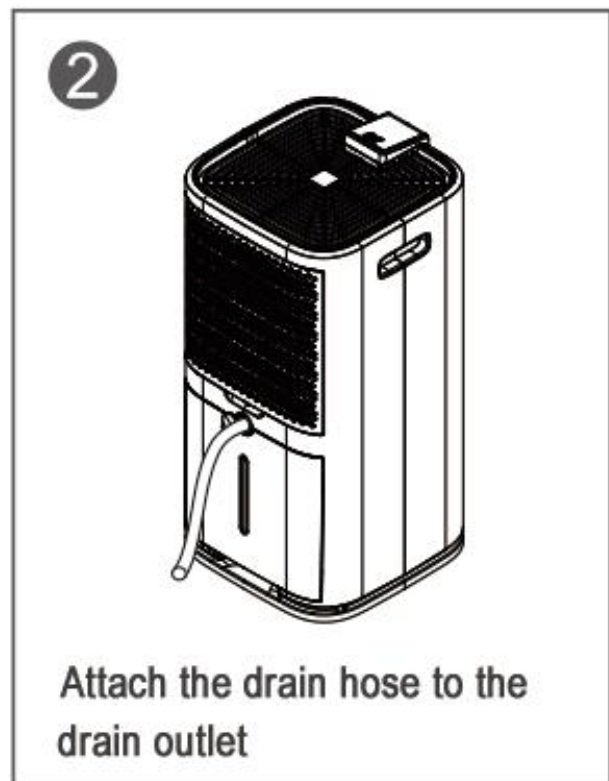
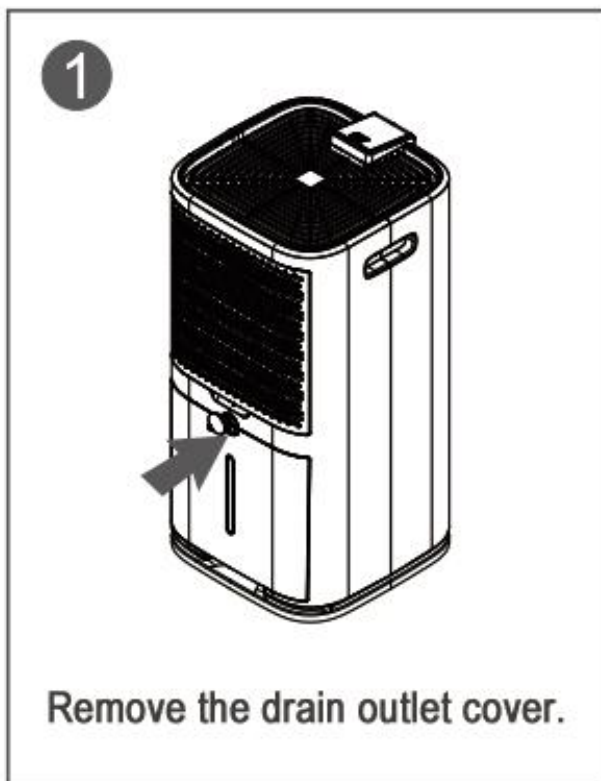
2) Continuous Drain by Gravity

Water can be automatically be emptied into a floor drain by attaching the included drain hose.

NOTE: You can use any other hoses with inner diameter of 5/8 (0.63) inches instead.

To Achieve Continuous Drain by Gravity:

- Remove the plastic cover from the continuous drain outlet;
- Remove the water bucket;
- Attach the included drain hose to the drain outlet;
- Replace the water bucket to the dehumidifier properly;
- Direct the other end of the drain hose down to a suitable drainage facility, like a bigger external bucket or floor drain. The drainage facility should be lower than the drain outlet of the dehumidifier.



Note:

- Make sure the connection is tight and there is no leaking.

If there is a small leak at the drain outlet, then try to connect the other end of the hose to the outlet,

since there is one end slightly smaller than another end.

- Be sure to run the water hose sloping downward to let the water flow out smoothly. No kinks or bent.
- Do not submerge the other end of the hose into the water.
- It is recommended to use a short hose. If the drain hose is too long, water may not drain completely, which can lead to stagnant water and mildew build up inside the hose.
- When the continuous drain feature is not being used, remove the drain hose from the outlet.

7. Smart Functions

1) Auto Shut Off

When the bucket is full and/or the room humidity reaches the set point, the dehumidifier will stop working automatically.

2) Wait 3 Minutes before Resuming Operation

To avoid any damage to the dehumidifier, the compressor will not start operation following a complete cycle until after 3 minutes. The operation will automatically start after 3 minutes. For example, when the dehumidifier has been turned on immediately after being turned off, the compressor won't start until 3 minutes later. During the 3-minutes delay start time, you can see the Mode icon (DH or DRY) flashing which means the compressor does not kick in. When the compressor kicks in, you can feel the dehumidifier shakes a little and the Mode icon (DH or DRY) turns to statically illuminate.

3) Auto Defrost

When the frost builds up on the evaporator coils, the compressor will cycle off and the fan will continue to run until the frost disappears.

4) Auto-Restart

If the dehumidifier shuts off unexpectedly due to power being cut while it is running or in standby mode, the dehumidifier will restart with the previous function setting (working mode, set humidity, fan speed, and etc.) automatically when the power resumes.

『MAINTENANCE』



To avoid possible electric shock, ensure to turn the dehumidifier off and disconnect the plug from the power source before performing any cleaning or maintenance.

1. Clean the Vent and Case

- Use water and mild detergent. Do not use bleach or abrasives.
- Do not splash water directly onto the main dehumidifier. Doing so may cause an electric shock or the insulation to deteriorate, or cause the dehumidifier to rust.
- The air intake and outlet vents get soiled easily, so use a vacuum attachment or brush to clean.

2. Clean the Reservoir

Every few weeks, clean the reservoir to prevent the growth of mold, mildew, and bacteria.

Follow the below steps to open the water bucket correctly to clean:

- Take out the water reservoir;
- Pick up the handle at an angle of 45° and then pull one side of the handle outward horizontally to take the handle off; (You may see the handle slots if you take a close look, which may help you to find the correct angle to take the handle out more easily.)
- Find the clasps on the bucket lid, press bucket inward to release the lid from the clasps;
- Partially fill the reservoir with clean water and add a little mild detergent;
- Swish it around in the reservoir, empty and rinse.

NOTE: Do not clean the reservoir in a dishwasher.

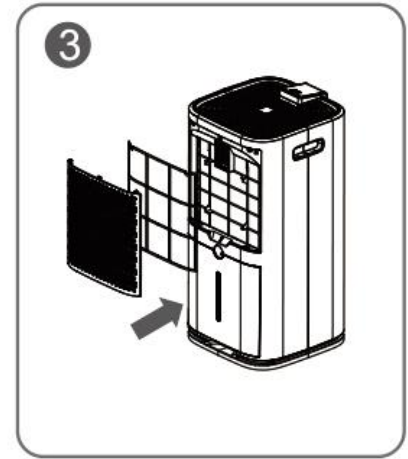
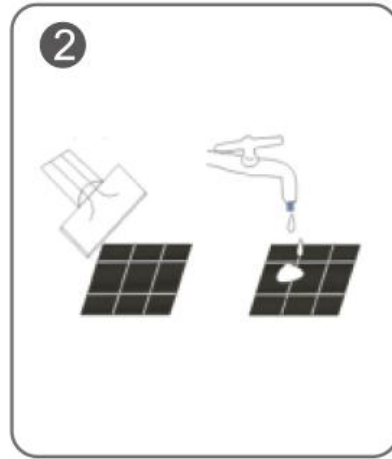
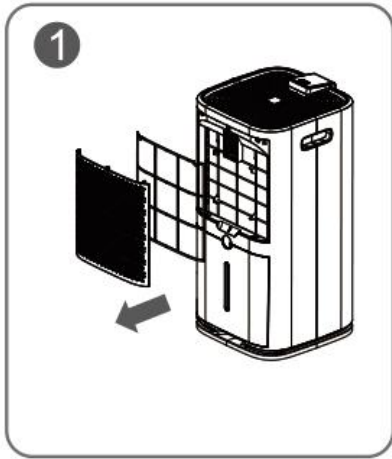
3. Clean the Air Filter

The air filter is located behind the rear intake grill to prevent dust coming into the dehumidifier. The filter should be cleaned approximately every 2 weeks and may require more frequent cleaning if there is significant dander or fur in the air.

Follow the steps below to clean the filter:

- Grasp the bottom of the air inlet grill and pull the grill out. The filter is attached behind the grill.
- Use a vacuum cleaner with a soft brush attachment to remove any large debris or dust build-up from the filter.
- Wash the filter in lukewarm, soapy water, below 40°C (104°F), or use a neutral cleaning agent.
- Rinse the filter with clean water and dry thoroughly.
- Re-install the filter.

NOTE: DO NOT operate the dehumidifier without a filter because dirt and lint will clog it, reducing performance.



4. When Not Using dehumidifier for Long Periods of Time

- Operate the dehumidifier on high fan mode for half a day, and then wait 1 day before emptying the reservoir.
- Clean the main dehumidifier, water reservoir, and air filter. Ensure the whole dehumidifier is clean and dry.
- Wrap the cord and bundle it.
- Cover the dehumidifier with a plastic bag.
- Store the dehumidifier upright in a dry, well-ventilated place.

『 SPECIFICATION 』

Model	PD123A	PD223A
Power Source	110-120V, 60Hz	110-120V, 60Hz
Humidity Removal (95°F, 90%)	30 Pints/Day	70 Pints/Day
Humidity Removal (86°F, 80%)	28 Pints/Day	51 Pints/Day
Humidity Removal (80°F, 60%)	13 Pints/Day	30 Pints/Day
Humidity Removal (65°F, 60%)		18 Pints/Day
Wattage (95°F, 90%)	250W	460W
Wattage (86°F, 80%)	210W	360W
Wattage (80°F, 60%)	185W	
Wattage (65°F, 60%)		260W
Airflow Rate	112 CFM, 190 CMH	112 CFM, 190 CMH
Refrigerant	R134a/5.6 oz	R134a/8.1 oz
Protection Type of Preventing Electric Shock	I	I
IP Level	IP21	IP21
Heat Ex-changer Max. Operate Pressure	2.5 MPa	2.5 MPa
Air-in/out Side Allowed Operate Pressure	0.7 MPa/2.0 MPa	0.7 MPa/2.0 MPa
High/Low Pressure Side Max Allowed Pressure	2.5 MPa	2.5 MPa
Water Bucket Capacity	1.2 Gallon	1.2 Gallon
Product Dimensions	11.4*11.4*23.8 inch	11.4*11.4*23.8 inch
Product Weight	22 Lbs	29 Lbs

『TROUBLE SHOOTING』

1. Error Codes

Error Code	Problem	Solution
E1	Humidity Sensor Malfunction	1. Check the humidity sensor and ensure it is in good condition. 2. Replace the humidity sensor.
E2	Defrost Temperature Sensor Malfunction	1. Check the temperature sensor and ensure it is in good condition. 2. Replace the temperature sensor.
E4	Ambient Temperature Sensor Malfunction	1. Check the temperature sensor and ensure it is in good condition. 2. Replace the humidity sensor.
E7	Water bucket is full.	Empty the water bucket.
	The water bucket has not been installed properly.	Re-install the water bucket properly.
	Float Malfunction	Replace the float of the water bucket.

Note:

When E1, E2, or E4 error displays, you can hear an alarm that could last 15 seconds. In this case, the dehumidifier is still running. You can follow the below steps to eliminate the error message:

- Pressing any button on the control panel to eliminate the alarm.
- Turn off the dehumidifier and unplug it to check if any obstructions.
- Restart the dehumidifier 10 minutes later..

If the ERROR message does not disappear after the restart, immediately contact COLZER customer service at service@colzer.com.

2. Reset

Please try the below steps to reset the dehumidifier if necessary:

- 1) Turn the dehumidifier off;
- 2) Press and hold the LIGHTING button for 5 seconds, until **dF** flashes on the LCD screen;
- 3) Press the MODE button once;
- 4) Wait for 5 seconds to let the system auto-reset to default settings.

3. Trouble Shooting

The below chart will help you solve common problems that may occur. If the problem you come across can not be fixed after troubleshooting or the problem is not listed in the below troubleshooting chart, please contact COLZER customer service to obtain professional support at service@colzer.com.

Problem	Possible Causes	Solutions
Dehumidifier can not turn on	The power cord is unplugged.	Plug it in.
	The fuse is blown or circuit breaker is tripped.	Check the fuse or the circuit breaker.
Dehumidifier is on, but it does not run.	The water bucket is full or not in the proper position.	Make sure the water bucket is empty and has been installed properly.
	The room humidity has reached the set-point and the dehumidifier enters into Standby Mode where you can see the Mode icon (DH or DRY) flickering.	Set a lower humidity or let the dehumidifier keep in standby mode.
	The room humidity is lower than the set humidity. In this case, you can see the Mode icon (DH or DRY) flickering.	The set humidity needs to be at least 5% (recommend 10%) lower than room humidity.
	The dehumidifier is in the defrosting process.	It is normal the compressor ceases during the defrosting process.
Insufficient dehumidifying Performance	Insufficient dehumidifying time.	When first installed, allow at least 3-4 days to maintain the desired RH.
	The room has not been sealed properly.	Ensure that all doors, windows and other openings are closed.
	The air filter is dirty.	Clean the air filter.
	Airflow has been blocked.	Ensure there are no obstructions block the airflow.
	There is something giving off water vapor in the room.	Remove those items or turn off such devices that give off vapor in the room.
	The room temperature is low.	Heat up the room.
	The dehumidifier size is too small for the room.	Increase the quantity of dehumidifiers. Or change a higher capacity dehumidifier.
Dehumidifier operates continuously	Check if the dehumidifier is in CONTINUOUS MODE.	Don' t set the humidity too low. Typically, 40-50% are good settings to use.
	The room humidity is too high.	Change humidity settings. Or change a higher capacity dehumidifier.
	Doors and windows are open.	Ensure that all doors, windows and other openings are closed.
Noise	The dehumidifier' s not positioned level.	Position the dehumidifier on a level surface.
	The water bucket is not in the proper position.	Re-install the water bucket properly.
	The air filter is clogged.	Wash the filter.
Frost appears on the coils	The dehumidifier has been turned on recently.	This is normal frost builds up on the coils, especially when the ambient temperature is low. The dehumidifier will defrost automatically.
	Room temperature is close to or lower than 60°F.	
Water leakage	Hose connection is loose.	Check the hose connection. Try to attach the other end of the hose to the outlet.
Water does not drain from the hose	Hose connection is loose.	Check the hose connection. Try to attach the other end of the hose to the outlet.
	Water flow has been restricted.	Hoses more than 7 feet long may not drain properly. It is recommended to keep the hose as short as possible. The hose must be placed lower than the bottom of the dehumidifier, and be kept flat and smooth without kinks.

『WARRANTY』

COLZER offers a limited 1-year free warranty on this dehumidifier PD123A/PD223A, with original proof of purchase (typically you maybe only requested to offer the order number instead of an invoice) and where a defect has arisen, wholly or substantially, as a result of faulty manufacture, parts or workmanship during the warranty period.

The warranty does not apply where damage is caused by other factors, including without limitation:

- (a) normal wear and tear;
- (b) abuse, mishandling, accident, or failure to follow operating instructions;
- (c) exposure to liquid or infiltration of foreign particles;
- (d) servicing or modifications of the product other than by COLZER.

The COLZER warranty covers all costs related to restoring the proven defective product through repair or replacement of any defective part and necessary labor so that it conforms to its original specifications. A replacement product may be provided instead of repairing a defective product.

COLZER's exclusive obligation under this warranty is limited to such repair or replacement.

We recommend that you register your product on our website www.colzer.com/pages/join-vip.

Although greatly appreciated, the product registration is not required to activate any warranty and product registration does not eliminate the need for the original proof of purchase.

These are our general terms for warranty service, but we always urge our customers to reach out to us with any issue, regardless of warranty terms. If you have an issue with a COLZER product, please contact us at service@colzer.com, and we will do our best to resolve it for you.

Email

service@colzer.com

Website

www.colzer.com