

Hisense

Dehumidifier Use & Care Guide
Guía de uso y cuidado del deshumificador

Model/Modelo:
DH10020KP1WG
DH10019TP1WG

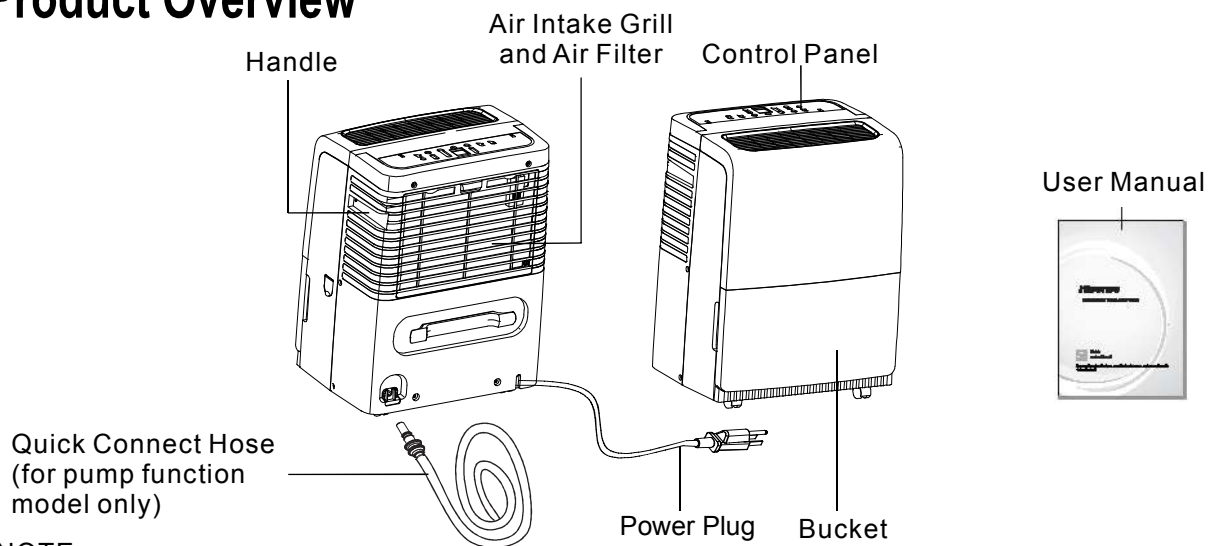
For questions about features, operation/performance, parts or service, call:
1-877-465-3566

Si tiene algunas preguntas sobre las características, función/rendimiento,
piezas o servicio, llame al: **1-877-465-3566**

TABLE OF CONTENTS

PRODUCT OVERVIEW	1
DEHUMIDIFIER SAFETY	2
INSTALLATION REQUIREMENTS	5
Electrical Requirements	5
Location Requirements	5
DEHUMIDIFIER USE	6
Setting the Controls	6
Draining the Dehumidifier	9
Normal Sounds	12
DEHUMIDIFIER CARE	13
Cleaning the Air Filter	13
Cleaning the Dehumidifier	13
TROUBLE SHOOTING	14

Product Overview



NOTE:
The figures in this manual are based on the external view of a standard model. They may differ from that dehumidifier you have selected.

DEHUMIDIFIER SAFETY

Your safety and safety of others are very important

We have provided many important safety messages in this manual and on your appliance. Always read and follow all safety messages.



This is the safety alert symbol.

This symbol alerts you to potential hazards that can kill or hurt you and others.

All safety messages will follow the safety alert symbol with the word "DANGER" or "WARNING"

These words mean:

⚠ DANGER

A hazard that if not avoided, will result in death or serious injury.

⚠ WARNING

A hazard that if not avoided, could result in death or serious injury.

All safety messages will tell you what the potential hazards are, tell you how to reduce the chance of injury and tell you what can happen if the instructions are not followed.

IMPORTANT SAFETY INSTRUCTIONS

⚠ DANGER To reduce the risk of explosion, fire, death, electric shock, scalding, or injury to persons when using this appliance, follow basic precautions, including the following:

INSTALLATION

- Plug into a grounded 3 prong outlet. Do not remove ground prong.
- Never attempt to operate this appliance if it is damaged, malfunctioning, partially disassembled, or has missing or broken parts, including a damaged cord or plug.
- Do not use an electrical adapter or multiple-outlet adaptors with this dehumidifier.
- Do not use an extension cord.
- Unplug dehumidifier before servicing.
- Do not drink water collected in the water bucket.
- The appliance is not intended for use by young children or impaired people without supervision, young children should be supervised to ensure that they do not play with the appliance.
- When installing or moving the appliance, be careful not to pinch, crush, or damage the power cord.
- Keep packing materials out of the reach of children. Packaging material can be dangerous for children. There is a risk of suffocation.
- Do not use the appliance in standing water or allow the product to be directly splashed by water during use.
- Store and install the appliance where it will not be exposed to temperatures below freezing or exposed to outdoor weather conditions.
- Call an authorized service technician to repair or immediately replace all power cords that have become damaged. Do not use a cord that shows cracks or abrasion damage along its length or at either end.

- Do not use the product if the outlet is damaged or loose.
- In the event of a gas leak (propane gas, LP gas, etc.) do not operate this or any other appliance. Open a window or door to ventilate the area immediately.
- Do not disassemble, repair or modify the product.
- Do not store or use flammable gases or materials near the dehumidifier.

OPERATION

- Read all instructions before using the appliance and save these instructions.
- Do not tamper with controls.
- Push the power plug all the way into the wall outlet so that it is not loose.
- Do not grasp the power cord or touch the appliance controls with wet hands.
- Do not modify or extend the power cord.
- If the product makes a strange noise or emits a smell or smoke, pull the power plug out and contact Hisense customer service.
- Avoid placing the dehumidifier or other heavy objects on top of the power cord.
- Do not use water to clean the dehumidifier.
- Keep the air inlet and outlet free from obstructions.
- Do not cover the power cord with a rug or carpeting. Placing heavy objects on top of the cord could damage it.
- Keep the product away from fire and high heat.
- Do not use the product in places where it could be splashed by water.
- Do not insert fingers, sticks etc. into the air inlet or outlet. The fan is running at high speeds and could cause personal injuries.
- Do not repair or replace any part of the appliance. All repairs and servicing must be performed by qualified service personnel unless specifically recommended in this owner's manual. Use only authorized factory parts.
- Connect to a properly rated, protected, and sized power circuit to avoid electrical overload.

SAVE THESE INSTRUCTIONS

▲ WARNING To reduce the risk of injury to persons, malfunction, or damage to the product or property when using this appliance, follow basic safety precautions, including the following:

INSTALLATION

- Use this appliance only for its intended purpose.
This product is not designed for preserving precision instruments, tableware or art works.
- Never unplug the appliance by pulling on the power cord. Always grip the plug firmly and pull straight out from the outlet.
- Do not use the product in places where chemicals are used.
Chemicals and solvents dissolved in the air could cause product deformation and leaking,
- Turn off the dehumidifier and pull out the power plug before cleaning.
Wait for the fan to stop moving.
- Do not operate the dehumidifier without a filter.
Using the product without a filter could result in a reduced product lifespan, electric shock or injury.

OPERATION

- Do not use the product for preserving animals/plants, precision instruments, art works etc.
- Do not place any objects on top of the dehumidifier.
- Turn off the dehumidifier and empty the water bucket before moving the dehumidifier.
- Pull out the power plug if you will not be using the product for an extended period.
- Do not use the product in a very small space such as a closet.
Poor ventilation could result in overheating.
- Do not use wax, thinner or a strong detergent when cleaning. Wipe the product using a soft cloth.
- Do not use the product in direct sunlight or rain.
- Do not touch the product with wet hands.
- Position the product on a firm, stable surface.
- Remove cable ties and extend power cord before use.
- Do not spray foreign substances or water on the product.

SAVE THESE INSTRUCTIONS

STORAGE AND DISPOSING OF THE UNIT

- Dispose of this appliance in accordance with Federal and Local regulations.
- Refrigerants must be evacuated before disposal.
- Please recycle or dispose of the packaging material of the product in an environment-friendly manner.
- To avoid damage to the compressor, never store or ship the appliance upside down or sideways.

INSTALLATION REQUIREMENTS

Electrical Requirements

⚠ WARNING



Electrical Shock Hazard

- Always plug into a grounded three-prong outlet.
- Do not remove ground prong.
- Do not use an adapter.
- Do not use an extension cord.
- Failure to follow these instructions can result in death, fire, or electrical shock.

Specific electrical requirements are listed in the chart below. Follow the requirements for the type of plug on the power supply cord.

Power Supply Requirements



- 115V (103.5 min. to 126.5 max.)
- 15A time-delay fuse or circuit breaker

Recommended Grounding Method

This dehumidifier must be grounded. This dehumidifier is equipped with a power supply cord with a three-prong grounding plug. The cord must be plugged into a mating, grounded three-prong outlet, grounded in accordance with all local codes and ordinances. If a mating outlet is not available, it is the customer's responsibility to have a properly grounded three-prong outlet installed by a qualified electrician.

It is the customer's responsibility:

- To contact a qualified electrical installer.
- To assure that the electrical installation is adequate and conforms to the Nation Electrical Code, ANSI/NFPA 70-last edition, and all local codes and ordinances.

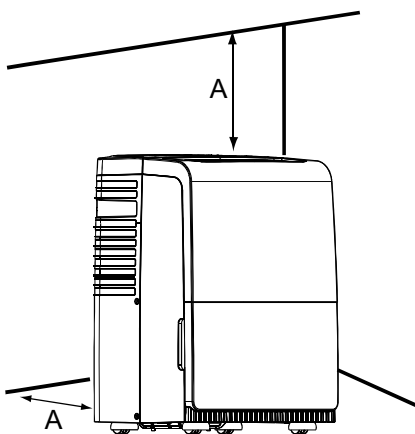
Copies of the standards listed may be obtained from:

Nation Fire Protection Association
1 Batterymarch Park
Quincy, Ma 02169-7471
www.nfpa.org

Location Requirements

⚠ WARNING To reduce the risk of injury to persons, malfunction, or damage to the product or property when using this appliance, follow basic safety precautions, including the following:

NOTE: Your model may differ from the one shown.



A. 12" to 18" (30.5cm to 45.7cm)

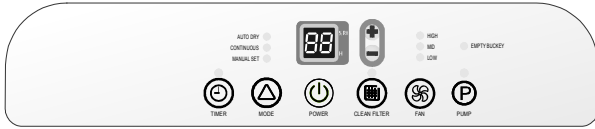
- Do not locate outdoors. This dehumidifier is intended for indoor, residential use only. This dehumidifier is not recommended for commercial use.
- Allow at least 12" to 18" (30.5cm to 45.7cm) of space on the rear and sides of the dehumidifier for models with back louver and above the dehumidifier for models with top louvers.
- You will need a surface strong enough to support the dehumidifier when its bucket is full of water.
- You will need a surface level enough to keep the water from spilling when the bucket is full of water.
- Do not block the louvers of the unit.
- Never operate this dehumidifier in an area that is likely to accumulate standing water. If this condition develops, for your safety disconnect the power supply before stepping into the water.

DEHUMIDIFIER USE

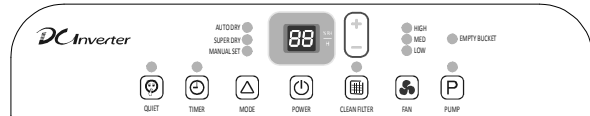
Setting the Controls

Control Panel

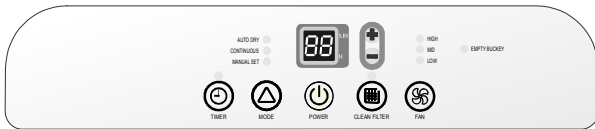
Control Type1



Control Type2



Control Type3



NOTE:

- Set point is Relative Humidity: lower is more dry, higher is less dry.
- The control panel of your model may differ from the one shown above.
- Pump button may not be displayed on the panel if your model does not have these functions.

Starting/Stopping the Dehumidifier

⚠ WARNING The dehumidifier should be upright for at least 2 hours before use.

NOTE:

- Before turning on the dehumidifier, be sure that the bucket is empty and fits all the way into the dehumidifier.
- Each time you unplug the dehumidifier or power is interrupted, the controls will return to the previous settings when power is restored.
- Humidity displayed is between 30% Relative Humidity and 90% Relative Humidity.
- Humidity can be set between 30% Relative Humidity and 80% Relative Humidity.
- It's important to set the desired humidity level to an achievable setting. To ensure energy-efficient operation, only use the dehumidifier in a closed space, with no open windows or other sources of moist air (to avoid continuous running).
- Operating temperature is between 38°F to 90°F (3.2°C to 32.2°C).
At temperatures of 38°F(3.2°C) or less, water freezes inside the product. At temperatures over 90°F(32.2°C), the internal temperature of the product trips a protective device which deactivates the product to avoid product damage.

- The compressor has a 3-minute delay before restarting. If the product is stopped and immediately restarted, to protect the compressor there is a 3-minute delay until the compressor restarts.
- When the dehumidifier is operating, the indoor temperature will rise. The dehumidifier does not have a cooling /heating function. Heat is generated during operation, so the room temperature may be increased by about 6°F(3°C) depending on the usage conditions (indoor temperature, size of the room).

⚠ WARNING



Electric Shock Hazard

Always plug into a grounded three-prong outlet.

Do not remove ground prong.

Do not use an adapter.

Do not use an extension cord.

Failure to follow these instructions can result in death, fire or electric shock.

1. Plug into a grounded three-prong outlet.
2. Press POWER to turn on the dehumidifier.
3. Press FAN to choose the fan speed.
4. Press MODE to choose the mode.
5. Press the plus or minus button to set the level of humidity.
6. Press POWER to turn off the dehumidifier.



NOTE:

In the event of a power failure, your dehumidifier will operate at the previous settings when the power is restored.

Empty Bucket Light

If this light is on, the fan and the compressor will stop running. This light indicates that you need to check:

- If the bucket is full, empty and re-install bucket.
- If the bucket is not in position, remove the bucket and re-install it. Make sure the bucket fits all the way into the dehumidifier and the bucket light is off, or dehumidifier will not run.

Fan Speed

1. Press FAN to select fan speed.
2. Choose LOW, MED or HIGH.



- LOW-Will reach the desired humidity setting with lower sound level.
- MED-Will achieve set humidity at normal speed.
- HIGH-Will reach the desired humidity setting faster.

NOTE:

Once the relative humidity of the room hit the desired setting, the compressor will stop and the fan will be off periodically.
The fan may periodically turn on, to read the humidity level, without the compressor running.

Desired Humidity-Mode

1. Press MODE to select the desired humidity setting.



2. Choose Auto Dry, Continuous/Super or Manual Set.
 - AUTO DRY: The dehumidifier will operate in dry mode only. The desired humidity is set to 50% automatically. The fan speed can be adjusted. The desired humidity can not be adjusted.
 - CONTINUOUS/SUPER DRY: The desired humidity is set to 30% automatically. The fan speed can be adjusted. The desired humidity can not be adjusted.
 - MANUAL SET: The dehumidifier will operate at the selected fan speed and desired humidity level. If the humidity level of the room is higher than the desired humidity setting, the compressor will turn on. If the humidity level of the room is lower than the desired humidity setting, the compressor will turn off, as well as the fan.

NOTE :

The de-icing function will turn off the compressor if a low temperature condition occurs. Pressing the MODE button or the plus or minus button will not increase or decrease the amount of moisture removed. When the de-icer senses then correct operating temperature, the compressor will cycle back on. Some freezing is normal will dehumidifiers are used at low temperatures.

Power

Press POWER to turn on or turn off the dehumidifier.



Quiet

The dehumidifier will run in lower noise operation.



QUIET

NOTE :

Once the Mode or Fan speed is changed, the dehumidifier will quit Quiet mode automatically.

Humidity Level

1. Press the Plus or Minus button to set the desired humidity level. Desired humidity in the digital display will flash for 5 seconds after operation.



2. Actual room humidity will be displayed after 5 seconds of flashing the desired humidity.

NOTE :

Humidity can only be adjusted manually in Manual Set mode. In Continuous/Super Dry and Auto Dry mode, humidity level is set automatically.

Digital Display

Display shows relative humidity or time (depending on setting).

1. When the dehumidifier operates in Manual Set mode, the display shows the relative humidity of the room.
2. When the timer is selected, the display shows the time when the dehumidifier will turn on or turn off operates, depending on the setting.



NOTE:

The humidity displayed is only for reference. For accurate humidity, please check a hygrometer.

Timer

To set Timer for a 30-minute to 24-hour delay before the dehumidifier is turned off (the dehumidifier must be On):

1. Press TIMER. Timer indicator light will come on, and the display will flash. The display will show remaining time before the dehumidifier will turn off.



2. Press the Plus or Minus button to change the delay time, from 30 minutes to 24 hours.

To set Timer to turn on the dehumidifier, with previous setting:

1. Turn off the dehumidifier.
2. Press TIMER. Timer indicator light will flash. The display will show remaining time before the dehumidifier will turn on.
3. Press the Plus or Minus button to change the delay time, from 30 minutes to 24 hours.

To clear the Timer delay program:

NOTE: Dehumidifier can be either on or off.

1. Press TIMER once after it has been programmed. Display will show remaining time.
2. While the display is showing the remaining time, press TIMER again. Timer indicator light will turn off.

To see the remaining time.

Press TIMER once after it has been programmed. Display will show remaining time.

NOTE:

Empty the drain water bucket before setting the timer function. If the water bucket becomes full during the Timer function, the Empty Bucket light goes on and dehumidification stops.

Clean Filter

1. When the Clean Filter indicator light is on, remove, clean and replace the air filter. See "Cleaning the Air Filter".
2. Press the Clean Filter button to reset the filter monitor.



NOTE:

When the light is on, it will remain on for 180 hours or until you press Clean Filter button.

Pump (for Pump function model only)

This feature pumps water horizontally or vertically. Pump water to a drain, out a window or anywhere you think suitable.

IMPORTANT:

You must connect the drain hose to the unit before pressing the Pump button, or the pump will not operate. See "Pump drain" for connecting instructions.

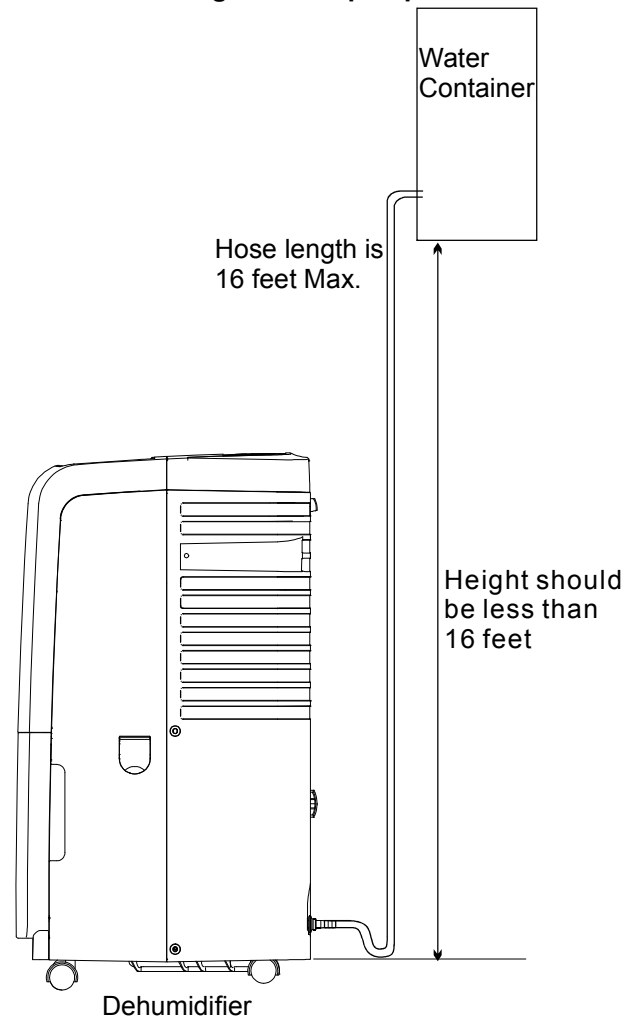


1. Press PUMP to activate the pump system for active drainage.
2. Once the pump button is pressed, the pump light will switch on.

NOTE:

- If the pump light flashes, it means that the pump is not functioning properly.
- If the drain hose is not correctly connected to the unit or is bent, the pump light will flash and the pump system will not work. See "Trouble shooting" for direction.

Site for installing hose for pump function:



Draining the Dehumidifier

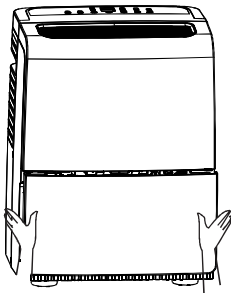
⚠ WARNING

Sickness Hazard
Do not drink water collected in water bucket.
Doing so can result in sickness.

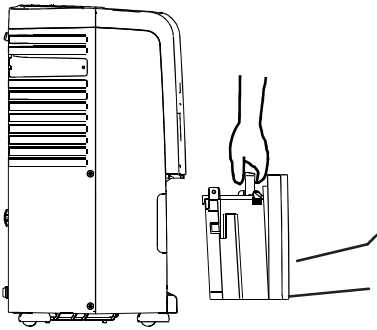
Option 1 Bucket Draining

If a floor drain is not available, or you do not plan to run your dehumidifier continuously, you may want to simply empty the bucket.

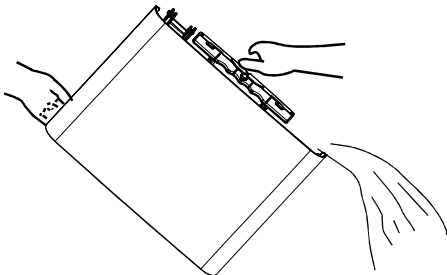
1. Grasp the bucket sides to slide out bucket.



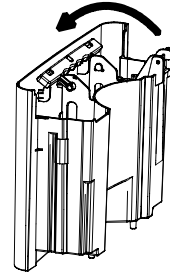
2. Lift the bucket up by the handle.



3. Pour water into a sink or tub.



4. Fold down the handle and reinstall the bucket.



IMPORTANT:

If the Empty Bucket light comes on, the dehumidifier will not operate. The bucket may need to be emptied or re-installed.

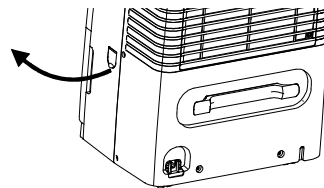
NOTE:

- If the water bucket is removed immediately after turning off the dehumidifier, the water remaining in the heat exchanger may drip inside the water bucket storage area. Remove the water with a soft cloth.
- While cleaning, do not touch the water level float.
- Clean the water bucket once a week during use.
- If the ambient temperature is low, there is less moisture in the air for the product to remove.
- Unplug the product before removing the water bucket. If the bucket is removed while the product is operating, the compressor will stop.

Option 2 Gravity Draining

If you plan to run your dehumidifier continuously, you can choose direct draining by attaching a garden hose to the unit.

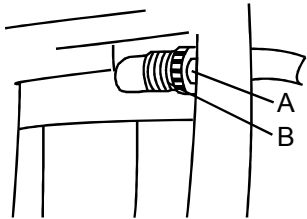
1. Turn off the dehumidifier and unplug the power supply cord.
2. Uncover the connector cover on the side of the unit.



3. Remove bucket.
4. Attach a garden hose to the drain hose connector on the inside of the dehumidifier. Securely attach the hose to be sure there is no water leak.

NOTE:

- The garden hose sold separately.
- The connection is designed for North American garden hoses only.



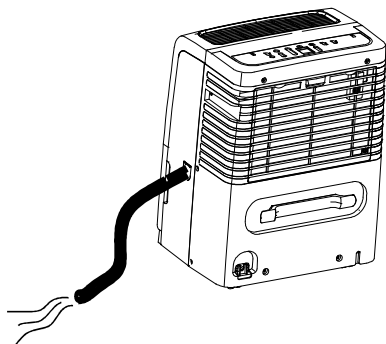
A. Garden hose
B. Drain hose connector

IMPORTANT:

In North America the garden hose connectors are 3/4" diameter straight (non-tapered) thread with a pitch of 11.5 threads per inch (male part has an outer diameter of 1 1/16 inches (26.99mm)).

⚠ WARNING Take care not to injure hands while connecting the hose.

5. Place the other end of garden hose into a floor drain. Check to see that the hose lies flat and is in the drain. Make sure the draining end of the hose is on a lower level than the hose connection to the dehumidifier. The hose should not be kinked or pinched.



6. Reinstall bucket.

NOTE:

- To use the bucket without the garden hose, simply remove the garden hose, then reinstall bucket.
- The bucket must be installed and properly aligned for the dehumidifier to operate with or without a garden hose connected.

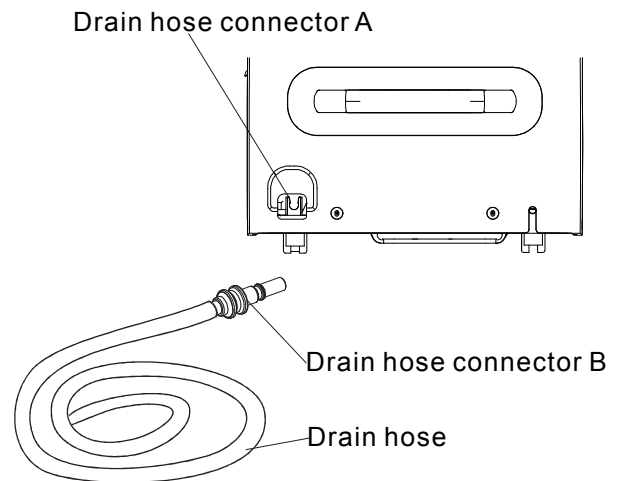
Option 3 PUMP-Drain (for Pump function model only)

This feature can help to pump water horizontally or vertically with a 16 feet (487.68cm) hose included. You can also pump water to a floor drain, out a window or anywhere you think suitable.

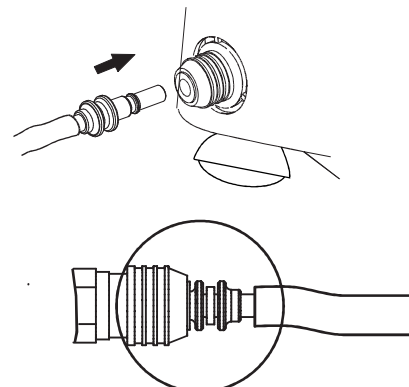
NOTE: There are two types connectors, please choose the operating instructions for your model to use.

CONNECTOR TYPE 1

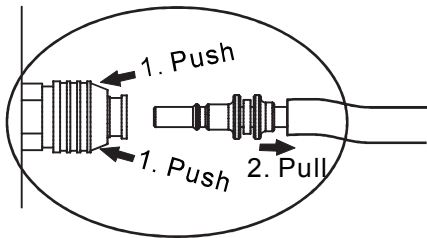
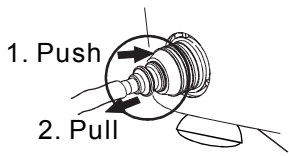
NOTE: You must connect the drain hose (with connector B) to drain hose connector A before pressing Pump button. If the pump does not function properly, see "Trouble shooting" for direction.



1. To connect the drain hose to the unit, push drain hose connector B into the connector A.

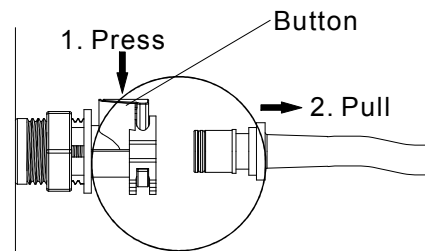
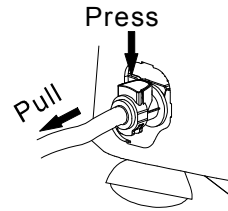


2. To disconnect the drain hose, push connector A in, and then pull connector B out.



How to disconnect

2. To disconnect the drain hose, press the release button on connector A, and then pull connector B out.



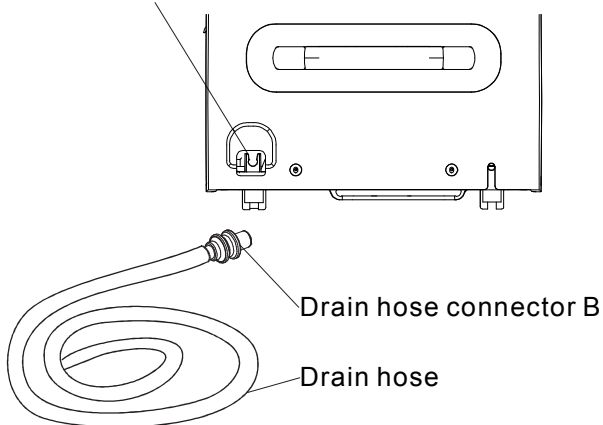
How to disconnect

CONNECTOR TYPE 2

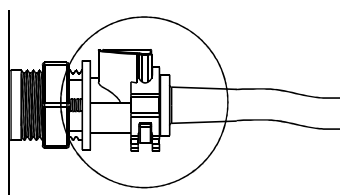
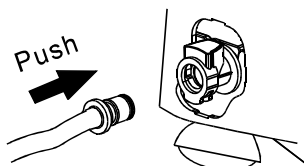
NOTE:

You must connect the drain hose (with connector B) to connector A before pressing the Pump button. If the pump does not function properly, see "Trouble shooting" for instructions.

Drain hose connector A

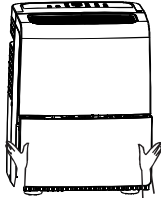


1. To connect the drain hose to the unit, push drain hose connector B into the connector A.



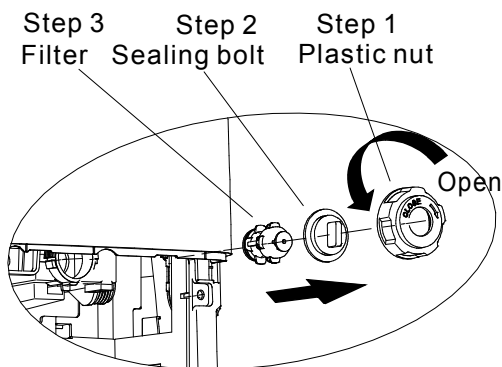
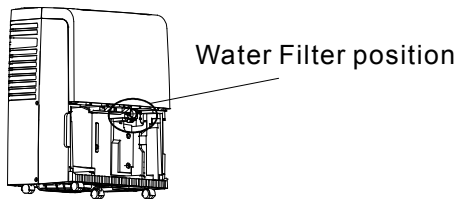
Water filter cleaning (For inverter model only)

1. Unplug the unit before cleaning it.
After every 3 months of usage, the water filter need to be cleaned for a smooth water pump running.
2. Remove the bucket.



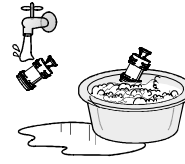
3. Remove the plastic nut, sealing bolt and take the filter off.

NOTE: Before remove the filter, please put a draining dish under the unit and make sure there is not water draining from the port.

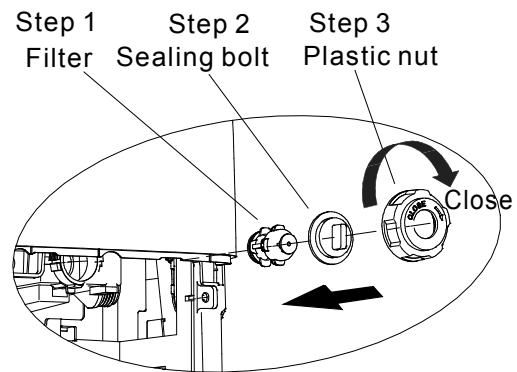


⚠ WARNING Take care not to injure hands while disassemble and re-install the water filter parts.

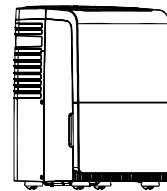
4. Clean the water filter with soft brush.
 - If the filter is very dirty, wash it in water and a neutral detergent.
 - Clean the water filter every 3 months.



5. Re-install the filter, filter sealing bolt and plastic nut back to the unit, make sure the filter is installed to the right position.



6. Re-install the bucket to the unit.



IMPORTANT:

The Water Filter needs to be cleaned EVERY 3 Months on Models with internal Pump.

NOTE:

If the unit will not used for a certain period of time, please clean the water filter, drain the dehumidifier completely. And make sure re-install the water filter parts.

Service calls to clean the water filter are not covered under the product warranty.

Normal Sounds

When your dehumidifier is operating normally, you may hear sounds such as:

- Compressor sounds, which may be loud.
- Air movement from the fan.
- Pump sounds, which may be loud.
- Clicking sounds when the dehumidifier or compressor turns off and on.

DEHUMIDIFIER CARE

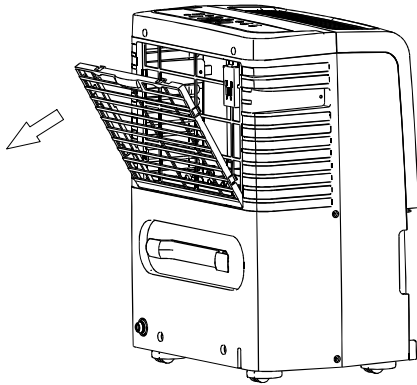
Your new dehumidifier is designed to give you many years of dependable service. This section explains how to clean and care for your dehumidifier.

To avoid damage to the compressor, never store or ship the appliance upside down or sideways.

Cleaning the Air Filter

The air filter is removable for easy cleaning. A clean filter helps remove dust, lint, and other particles from the air and is important for best operating efficiency. Check the filter every two weeks to see whether it needs cleaning.

1. Turn off the dehumidifier.
2. Remove the air filter.
3. Take out the air filter.



4. Use a vacuum cleaner to clean the air filter if the air filter is dirty, wash it in warm water with a mild detergent.
5. Reinstall the air filter and the air intake grill.
6. Turn on the dehumidifier.

NOTE:

Do not wash air filter in the dishwasher or use any chemical cleaners. Air dry filter completely before reinstalling to ensure maximum operating efficiency.

Cleaning the Dehumidifier

Exterior

1. Turn off the dehumidifier and unplug the power supply cord.
2. Dust the surface of the unit with a soft cloth or the dusting attachment of your vacuum cleaner.

Water Bucket

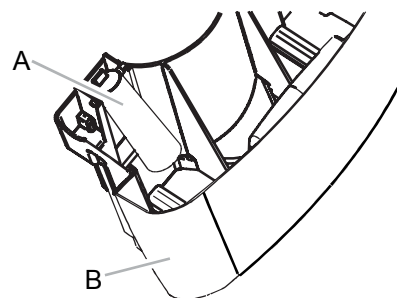
Every few weeks, rinse the inside of the water bucket with a mild detergent to avoid growth of mold, mildew and bacteria.

Water level float

The dehumidifier has a EMPTY BUCKET light and a water float. The bucket must be properly aligned for the water level float and the EMPTY BUCKET light to work.

NOTE:

Be sure the float is snapped correctly in place.



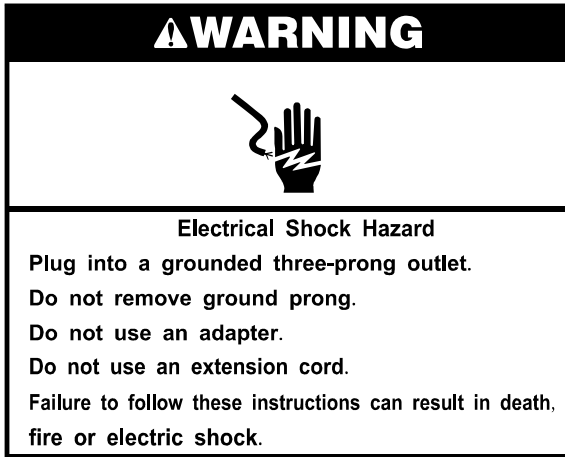
- A. Water level float
B. Bucket

TROUBLE SHOOTING

Before calling for service, try the suggestions below to see whether you can solve your problem without outside help.

Dehumidifier will not run

- Is the dehumidifier turned on?
Turn on the dehumidifier.



- Is the power cord plugged into a grounded three-prong outlet?
Plug into a grounded three-prong outlet. See “Electrical Requirements” on page 5.
- Has a household fuse blown or has a circuit breaker tripped?
Replace the fuse or reset the circuit breaker. If the problem continues, call an electrician. See “Electrical Requirements” on page 5.
- Is the bucket installed properly?
Reinstall the bucket so that it fits all the way into the dehumidifier.
- Does the bucket need to be emptied?
Empty the bucket.
- Is the water level float in place?
Remove the bucket. Make sure the float is snapped in place. Reinstall the bucket.
- Did the dehumidifier suddenly stop operating, and won't turn on?
Confirm the power is connected, and the bucket is in place. If the unit still doesn't operate, call Hisense for Warranty service.

Ice forms on coils

- All models have an automatic de-icing function that will shut off the compressor and allow the fan to run.
This reduces the ice build-up on the coils. The compressor will cycle back on when the de-icing function senses the correct operating temperature.

Dehumidifier runs but does not dehumidify

- Did the dehumidifier suddenly stop operating, and won't turn on?
Confirm the power is connected, and the bucket is in place. If the unit still doesn't operate, call Hisense for warranty service.
- All models have an automatic de-icing function that will shut off the compressor and allow the fan to run.
When the de-icing function senses the correct operating temperature, the compressor will cycle back on.
- Is the control set to Continuous/Super Dry?
If you have selected Continuous/Super Dry Run, the dehumidifier will run continuously. If the room humidity level is low, little or no water may be collected.
- The filter is dirty or obstructed debris.
Clean the filter.

Air coming from the dehumidifier is warm

- Dehumidifier will put out warm air under normal operating conditions.

Dehumidifier displays error codes

- If the dehumidifier displays an error code, please contact the Hisense customer service.

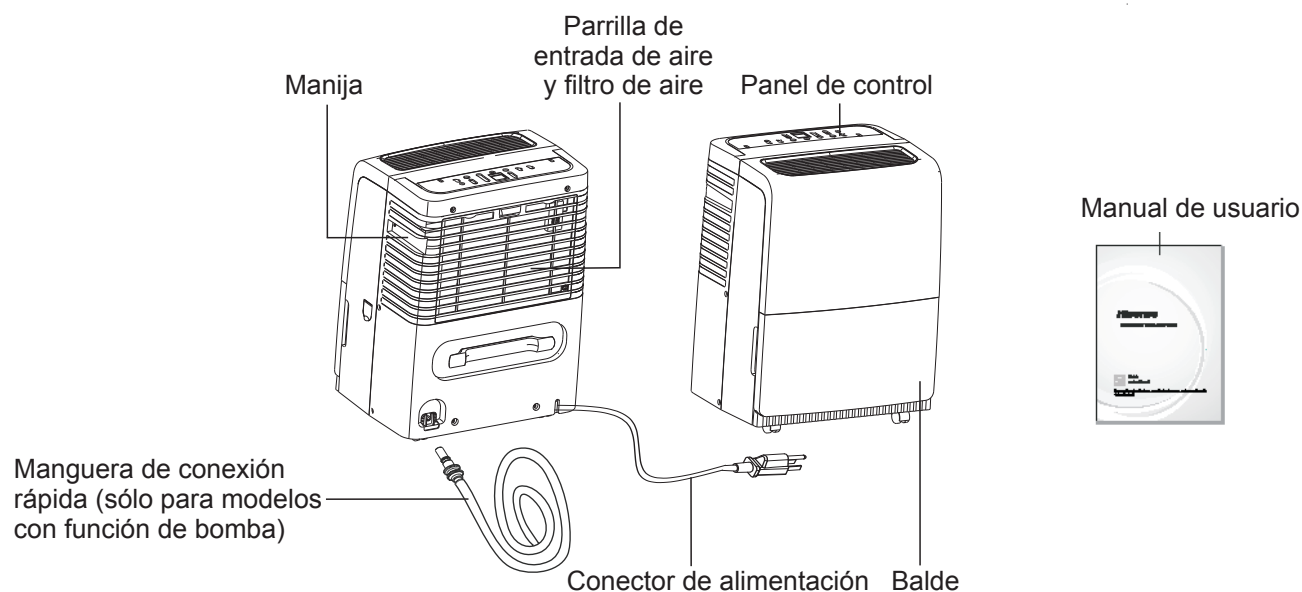
Pump system does not work

- Does the pump indicator flash?
1. Check and make sure the drain hose is correctly connected to the unit.
 2. Press the POWER button to turn off the unit. Restart the unit by pressing POWER button again.

TABLA DE CONTENIDOS

DESCRIPCIÓN DEL PRODUCTO	15
SEGURIDAD DEL DESHUMIFICADOR	16
REQUISITOS PARA LA INSTALACIÓN	19
Requisitos eléctricos	19
Requisitos para la ubicación	19
USO DEL DESHUMIFICADOR	20
Configuración de los controles	20
Desagüe del deshumificador	23
Sonidos normales	26
CUIDADO DEL DESHUMIFICADOR	27
Limpieza del filtro de aire	27
Limpieza del deshumificador	27
SOLUCIÓN DE PROBLEMAS	28

Product Overview



NOTA:

Las imágenes en este manual están basadas en la vista externa de un modelo estándar. Pueden diferir del deshumificador que usted eligió.

SEGURIDAD DEL DESHUMIFICADOR

Su seguridad y la seguridad de otros son muy importantes.

Hemos proporcionado mensajes de seguridad importantes en este manual y en el electrodoméstico. Lea y siga siempre todos los mensajes de seguridad.

Este es el símbolo de alerta de seguridad.



Este símbolo lo alerta sobre un peligro potencial que puede matarlo o herirlo a usted y a otros. Todos los mensajes de seguridad estarán seguidos con el símbolo de alerta y la palabra "PELIGRO" o "ADVERTENCIA".

Estas palabras quieren decir:



PELIGRO

Un peligro que si no se evita resultará en la muerte o en lesiones graves.



ADVERTENCIA

Un peligro que si no se evita podría resultar en la muerte o en lesiones graves.

Todos los mensajes de seguridad le dirán qué peligro es, cómo reducir las probabilidades de lesiones y qué sucede si no se siguen las instrucciones.

INSTRUCCIONES DE SEGURIDAD IMPORTANTES



PELIGRO

Para reducir el riesgo de explosiones, incendios, muertes, descargas eléctricas, quemaduras y lesiones en las personas cuando utilizan este electrodoméstico, siga las siguientes precauciones básicas:

INSTALACIÓN

- Conéctelo a un tomacorriente de 3 patas con conexión a tierra. No quite la terminal a tierra.
- Nunca intente operar el electrodoméstico si está dañado, funciona mal, está parcialmente desmontado o faltan piezas o tiene pizas rotas, incluyendo el cable o el conector.
- No utilice adaptadores eléctricos ni tomacorrientes múltiples con este deshumificador.
- No utilice un cable de extensión.
- Desconecte el deshumificador antes de realizar el mantenimiento.
- No beba el agua que se acumula en el balde.
- El electrodoméstico no está destinado para ser utilizado por niños o personas discapacitadas sin supervisión. Los niños deben ser supervisados para asegurarse de que no jueguen con el electrodoméstico.
- Cuando instale o mueva el electrodoméstico, tenga cuidado de no aplastar, apretar o dañar el cable de alimentación.
- Mantenga los materiales de empaque lejos del alcance de los niños. El material de empaque puede ser peligroso para los niños. Existe riesgo de sofocación.
- No utilice el electrodoméstico sobre el agua ni deje que el producto sea salpicado con agua durante el uso.
- Guarde e instale el electrodoméstico donde no quede expuesto a temperaturas bajo cero o expuestos a las condiciones climáticas del exterior.
- Llame a un técnico de servicio autorizado para que repare o reemplace todos los cables de alimentación que puedan dañarse. No utilice un cable que tenga rajaduras o abrasiones a lo largo o en los extremos.

- No utilice el producto si el tomacorriente está dañado o flojo.
- En caso de una fuga de gas (gas propano, gas LP, etc.) no opere este ni ningún otro electrodoméstico. Abra la ventana o la puerta para ventilar el área inmediatamente.
- No desarme, repare ni modifique el producto.
- No almacene ni utilice gases inflamables o materiales inflamables cerca del deshumificador.

FUNCIONAMIENTO

- Lea todas las instrucciones antes de utilizar el electrodoméstico y conserve estas instrucciones.
- No manipule con controles.
- Presione el conector en el tomacorriente de la pared para que no quede flojo.
- No agarre el cable de alimentación ni toque los controles del electrodoméstico con las manos mojadas.
- No modifique ni extienda el cable de alimentación.
- Si el producto hace un ruido extraño o emite olores o humo, desconecte el conector y contacte a Hisense EE.UU.
- Evite colocar el deshumificador u otros objetos pesados en la parte superior del cable de alimentación.
- No utilice agua para limpiar el deshumificador.
- Mantenga la entrada y salida de aire libre de obstrucciones.
- No cubra el cable de alimentación con una alfombra o tapete. Colocar objetos pesados sobre el cable de alimentación puede dañarlo.
- Mantenga el producto alejado del fuego y de altas temperaturas.
- No utilice el electrodoméstico en lugares donde podría ser salpicado con agua.
- No coloque los dedos, palos, etc. en la entrada o salida del aire. El ventilador funciona a alta velocidad y podría causar lesiones.
- No repare ni reemplace ninguna pieza del electrodoméstico. Todas las reparaciones y el mantenimiento deben ser realizadas por un personal del servicio calificado a menos que se recomiende específicamente en este manual. Sólo utilice piezas autorizadas de fábrica.
- Conéctelo a un circuito de alimentación nominal y protegido correctamente para evitar sobrecargas eléctricas.

GUARDE ESTAS INSTRUCCIONES

⚠️ ADVERTENCIA

Para reducir los riesgos de lesiones en las personas, malfuncionamientos o daños al producto o a la propiedad cuando utiliza el electrodoméstico, siga las precauciones básicas, incluyendo las siguientes:

INSTALACIÓN

- Utilice este electrodoméstico sólo para su propósito.
Este producto no está diseñado para preservar instrumentos de precisión, vajillas u obras de arte.
- Nunca desconecte el electrodoméstico tirando del cable de alimentación. Agarre siempre firmemente el conector y tire del tomacorriente.
- No utilice el electrodoméstico en lugares donde se utilizan químicos.
Los químicos y solventes disueltos en el aire pueden producir deformaciones y fugas en el producto.
- Apague el deshumificador y quite el conector antes de realizar la limpieza.
Espere a que el ventilador termine de moverse.
- No haga funcionar el deshumificador sin un filtro.
Utilizar este producto sin un filtro puede reducir su vida útil, causar descargas eléctricas o lesiones.

FUNCIONAMIENTO

- No utilice el producto para preservar animales/plantas, instrumentos de precisión, arte, etc.
- No coloque floreros o jarras sobre el deshumificador.
- Apague el deshumificador y vacíe el balde de agua antes de mover el deshumificador.
- Quite el conector si no va a utilizar el producto por un largo período de tiempo.
- No utilice el producto en espacios muy chicos como armarios.
La poca ventilación podría causar sobrecalentamiento.
- No utilice cera, diluyente o detergentes fuertes cuando realiza la limpieza. Seque el producto utilizando un paño suave.
- No utilice el producto en la luz solar directa o la lluvia.
- No toque el producto con las manos húmedas.
- Posicione el producto en una superficie sólida y estable.
- Retire las ataduras del cable y extienda el cable de alimentación antes del uso.
- No pulverice las sustancias extrañas o el agua en el producto.

GUARDE ESTAS INSTRUCCIONES


ALMACENAMIENTO Y ELIMINACIÓN DE LA UNIDAD

- Elimine el electrodoméstico según las normas federales y locales.
- Se debe eliminar el refrigerante antes de la eliminación.
- Recicle o elimine el material de empaque del producto de manera responsable y ecológica.
- Para evitar daños en el compresor, nunca guarde ni envíe el electrodoméstico boca abajo o de lado.

REQUISITOS PARA LA INSTALACIÓN

Requisitos eléctricos

⚠ ADVERTENCIA



Peligro de descarga eléctrica

Siempre conéctelo a un tomacorriente de tres patas con conexión a tierra.

No quite la terminal a tierra.

No utilice un adaptador.

No utilice un cable de extensión.

El incumplimiento de estas instrucciones puede resultar en la muerte, incendios o descargas eléctricas.

Los requisitos eléctricos específicos se mencionan en la siguiente tabla. Siga los requisitos para el tipo de conector del cable de alimentación.

Requisitos para el suministro eléctrico.



- 115 V (103.5 mín. a 126.5 máx.)
- Fusible de acción retardada de 15 A o disyuntor

Método de conexión a tierra recomendado

El deshumificador debe estar conectado a tierra. El deshumificador está equipado con un cable de alimentación y un tomacorriente de tres patas con conexión a tierra. El cable se debe conectar a un tomacorriente de tres patas con conexión a tierra, conectado a tierra según los códigos y ordenanzas locales. En caso de no disponer de un tomacorriente, es responsabilidad del cliente tener un tomacorriente de tres patas con conexión a tierra instalado por un electricista calificado.

Es responsabilidad del cliente:

- Contactar a un electricista calificado.
- Garantizar que la instalación eléctrica sea adecuada y conforme al Código Eléctrico Nacional, ANSI/NFPA 70 última edición, y los códigos y ordenanzas locales.

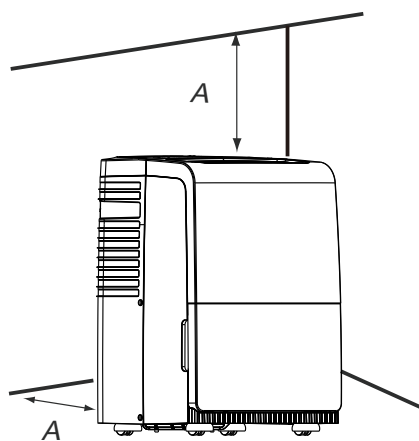
Las copias de las normas mencionadas se pueden obtener de:

Asociación Nacional de Protección
contra el Fuego, 1 Batterymarch Park
Quincy, Ma 02169-7471
www.nfpa.org

Requisitos para la ubicación

⚠ ADVERTENCIA Para reducir los riesgos de lesiones en las personas, malfuncionamientos o daños al producto o a la propiedad cuando utiliza el electrodoméstico, siga las precauciones básicas, incluyendo las siguientes:

NOTA: Su modelo puede diferir del que se muestra aquí.



A. 12" a 18" (30,5 cm a 45,7 cm)

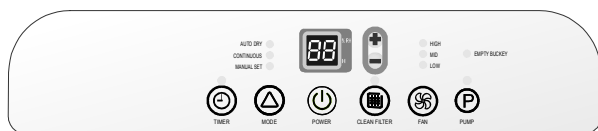
- No lo coloque al aire libre. Este deshumificador está destinado sólo para uso interno y residencial. Este deshumificador no se recomienda para uso comercial.
- Deje un espacio de al menos 12" a 18" (30,5 cm a 45,7 cm) en la parte trasera y en los laterales del deshumificador para los modelos con persianas traseras y sobre el deshumificador para modelos con persianas en la parte superior.
- Necesitará una superficie lo suficientemente fuerte para brindar soporte al deshumificador cuando el balde esté lleno de agua.
- Necesitará una superficie lo suficientemente nivelada para que el agua no se derrame cuando el balde esté lleno de agua.
- No bloquee las persianas de la unidad.
- Nunca opere el deshumificador en un área que acumule agua. Si se produce esta condición, por su seguridad desconecte el suministro eléctrico antes de pisar el agua.

USO DEL DESHUMIFICADOR

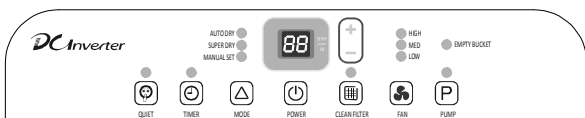
Configuración de los controles

Panel de control

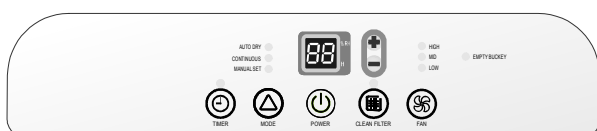
Tipo de control 1



Tipo de control 2



Tipo de control 3



NOTA:

- El punto de ajuste es la humedad relativa: un punto bajo es más seco, un punto alto es menos seco.
- El panel de control de su modelo puede diferir del que se muestra arriba.
- Si su modelo no tiene la función, el botón PUMP (bomba) no se podrá mostrar en el panel.

Iniciar/Detener el Deshumificador

⚠ADVERTENCIA El deshumificador debería estar de forma vertical por al menos 2 horas antes del uso.

NOTA:

- Antes de encender el deshumificador, asegúrese de que el balde esté vacío y se adapte en el deshumificador.
- Cada vez que desconecta el deshumificador o se corta la energía, los controles volverán a la configuración previa cuando vuelva la energía.
- La humedad que se muestra está entre 30% humedad relativa y 90% humedad relativa.
- La humedad se puede establecer entre 30% humedad relativa y 80% humedad relativa.
- Es importante establecer el nivel de humedad deseada para un ajuste posible. Para garantizar un funcionamiento de eficiencia energética, sólo utilice el deshumificador en espacios cerrados, sin ventanas abiertas ni otras fuentes de aire húmedo (para evitar el funcionamiento continuo)

■ La temperatura de funcionamiento es entre 38°F a 90°F (3.2°C a 32.2°C) A temperaturas de 38°F (32°C) o menores, el agua se congela dentro del producto. A temperaturas superiores a 90°F (32.2°C), la temperatura interna del producto hace saltar el dispositivo de protección, el cual desactiva el producto para evitar que el producto se dañe.

■ El compresor tiene un retraso de 3 minutos antes de reiniciarse. Si el producto se detiene y se reinicia inmediatamente, habrá un retraso de 3 minutos para proteger el compresor hasta que el mismo se reinicie.

■ Cuando el deshumificador está funcionando, la temperatura interior aumentará. El deshumificador no tiene la función cooling/heating (frío/calor). El calor se genera durante el funcionamiento, por lo tanto la temperatura de la habitación puede incrementar a 6°F (3°C) dependiendo en las condiciones de uso (temperatura interna, tamaño de la habitación).

⚠ ADVERTENCIA



Peligro de descarga eléctrica

Siempre conéctelo a un tomacorriente de tres patas con conexión a tierra.
No quite la terminal a tierra.
No utilice un adaptador.
No utilice un cable de extensión.
El incumplimiento de estas instrucciones puede resultar en la muerte, incendios o descargas eléctricas.

1. Conéctelo a un tomacorriente de tres patas con conexión a tierra.
2. Presione POWER para encender el deshumificador.
3. Presione FAN para elegir la velocidad del ventilador.
4. Presione MODE para elegir el modo.
5. Presione el botón Más o Menos para configurar el nivel de humedad
6. Presione POWER para apagar el deshumificador.



NOTA:

En caso de corte eléctrico, el humidificador funcionará con el ajuste anterior cuando se restaure la alimentación.

Luz de vaciar el balde

Si esta luz se enciende, el ventilador y el compresor dejarán de funcionar. Esta luz indica que usted necesita revisar:

- Si el balde está lleno, vacíelo y vuelva a colocar el balde.
- Si el balde no está en posición, quite el balde y vuelva a colocarlo. Asegúrese de que el balde se adapte en el deshumificador y que la luz del balde esté apagada o el deshumificador no funcionará.

Velocidad del ventilador

1. Presione FAN para seleccionar la velocidad del ventilador.
2. Seleccione Low (bajo), Med (medio) o High (alto).



- LOW: Alcanzará la configuración de humedad deseada con el nivel de sonido más bajo..
- MED: Alcanzará la humedad establecida a una velocidad normal.
- HIGH: Alcanzará la humedad deseada más rápido.

NOTA:

Una vez que la humedad relativa de la habitación alcance el nivel deseado, el compresor se detendrá y el ventilador se apagará periódicamente. El ventilador se puede encender periódicamente para leer el nivel de humedad sin que el compresor funcione.

Modo de humedad deseada

1. Presione MODE para seleccionar la configuración de humedad deseada.



2. Seleccione Auto Dry, Continuous/Super o Manual Set.

- AUTO DRY El deshumificador funcionará sólo en el modo Dry (seco). La humedad deseada se establece automáticamente al 50%. Se puede modificar la velocidad del ventilador. La humedad deseada no se puede modificar.
- CONTINUOUS/SUPER DRY: La humedad deseada se establece automáticamente al 30%. Se puede modificar la velocidad del ventilador. La humedad deseada no se puede modificar.
- MANUAL SET: El deshumificador funcionará a la velocidad del ventilador seleccionada y al nivel de humedad deseada. Si el nivel de humedad de la habitación es más alto que el ajuste de humedad deseada, el compresor se encenderá. Si el nivel de humedad de la habitación es más bajo que el ajuste de humedad deseada, el compresor y el ventilador se apagarán.

NOTA:

La función de deshielo apagará el compresor si se produce una condición de temperatura baja. Al presionar el botón MODE o el botón Más o Menos no

aumentará ni disminuirá la cantidad de humedad eliminada. Cuando el descongelador detecta la temperatura de funcionamiento correcta, el compresor volverá a funcionar. Es normal que haya algo de congelación cuando se utiliza el deshumificador a bajas temperaturas.

Power

Presione POWER para encender o apagar el deshumificador.



QUIET (Tranquilo)



QUIET

El deshumificador funcionará con un sonido más bajo.

NOTA:

Una vez que se cambia el modo o la velocidad del ventilador, el deshumificador cancelará el modo Quiet automáticamente.

Nivel de humedad

1. Presione el botón Más o Menos para establecer el nivel de humedad deseada. La humedad deseada en la pantalla digital parpadeará por 5 segundos después del funcionamiento.



2. La humedad actual de la habitación se mostrará después de que la humedad deseada parpadee durante 5 segundos.

NOTA:

La humedad sólo se puede establecer manualmente en el modo Manual Set. En el modo Continuous/Super Dry y Auto Dry, el nivel de humedad se establece automáticamente.

Pantalla digital

La pantalla muestra la humedad relativa o la hora (dependiendo de la configuración).

1. Cuando el deshumificador funciona en el modo Manual Set, la pantalla muestra la humedad relativa de la habitación.
2. Cuando se selecciona el temporizador, la pantalla muestra la hora cuando el deshumificador se encienda o apague, dependiendo de la configuración.



NOTA:

La humedad que se muestra es sólo de referencia. Para una humedad precisa, compruebe el higrómetro.

Timer

Para configurar el retraso del temporizador desde 30 minutos a 24 horas antes de que el deshumificador se apague (el deshumificador debe estar encendido):

1. Presione TIMER. La luz indicadora del temporizador se encenderá y la pantalla parpadeará. La pantalla mostrará el tiempo restante antes de que el deshumificador se apague.



2. Presione el botón Más o Menos para cambiar el tiempo de retraso, desde 30 minutos hasta 24 horas.

Para establecer que el temporizador encienda el deshumificador, con la configuración previa,:

1. Apague el deshumificador.
2. Presione TIMER. La luz indicadora del temporizador parpadeará. La pantalla mostrará el tiempo restante antes de que el deshumificador se encienda.
3. Presione el botón Más o Menos para cambiar el tiempo de retraso, desde 30 minutos hasta 24 horas.

Para borrar el programa de retraso:

NOTA: El deshumificador puede estar encendido o apagado.

1. Presione TIMER una vez después de haberlo programado. La pantalla mostrará el tiempo restante.
2. Mientras que la pantalla muestra el tiempo restante, presione TIMER nuevamente. La luz indicadora del temporizador se apagará.

Para ver el tiempo restante:

- Presione TIMER una vez después de haberlo programado. La pantalla mostrará el tiempo restante.

NOTA:

Vacíe el balde antes de establecer la función del temporizador. Si el balde de agua se llena durante la función del temporizador, la luz de "Balde Lleno" se encenderá y el deshumificador se detendrá.

Limpiar el filtro

1. Cuando el indicador "Limpiar el filtro" está encendido, quite, limpie o reemplace el filtro de aire. Refiérase a "Limpieza del filtro del aire"
2. Presione el botón Clean Filter (Limpiar Filtro) para reiniciar el control del filtro.



NOTA:

Cuando la luz se encienda, permanecerá así por 180 horas o hasta que presione el botón Clean Filter.

Pump (sólo para modelos con la función de bomba)

Esta función bombea el agua horizontal o verticalmente. Bombee el agua al desagüe, fuera de la ventana o donde crea adecuado.

IMPORTANTE:

Debe conectar la manguera a la unidad antes de presionar el botón PUMP, de lo contrario no funcionará. Refiérase a "Drenaje por bomba" para instrucciones sobre la conexión.

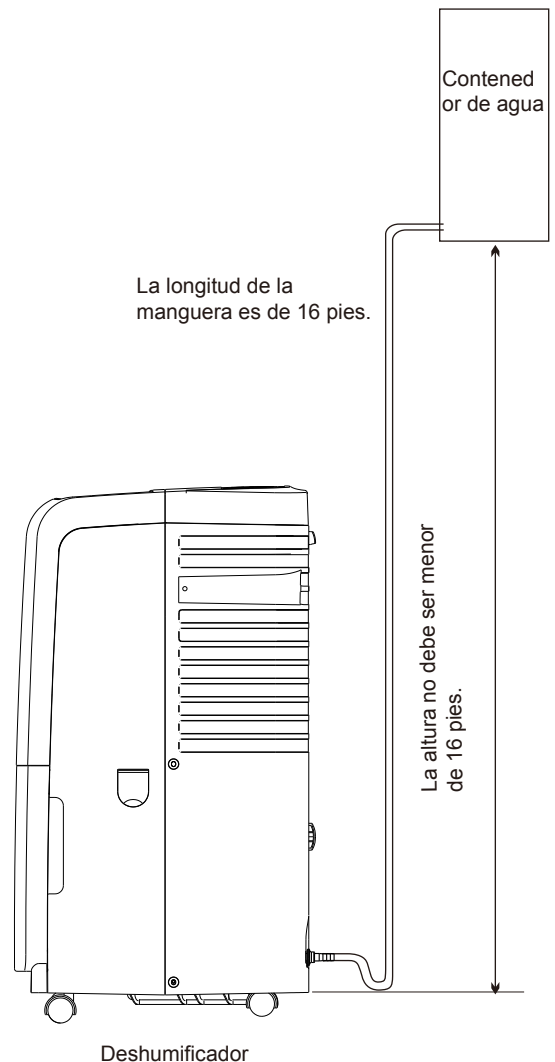


1. Presione PUMP para activar el sistema de bombeo para el desagüe activo.
2. Una vez que se presiona el botón, la luz indicadora se encenderá.

NOTA :

- Si la luz parpadea, significa que la bomba no está funcionando correctamente.
- Si la manguera no está conectada correctamente a la unidad o está doblada, la luz parpadeará y el sistema no funcionará. Refiérase a "Solución de problemas" para instrucciones.

Sitios para instalar la manguera para la función de bomba:



Desagüe del deshumificador

⚠ ADVERTENCIA

Peligro de enfermedades

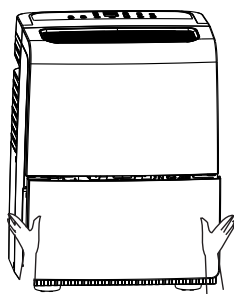
No beba el agua que se acumula en el balde.

Al hacerlo puede causar enfermedades.

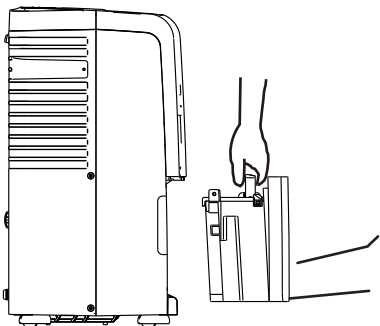
Opción 1 Drenaje del balde

Si no hay disponible un desagüe en el suelo, o si no planea que el deshumificador funcione continuamente, puede optar simplemente por vaciar el balde.

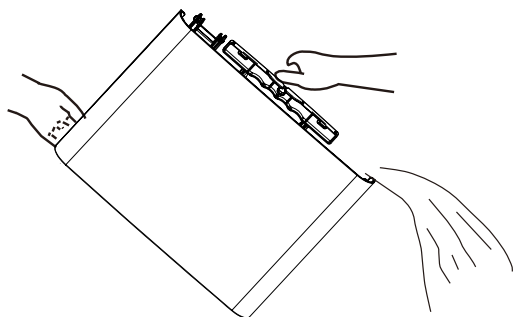
1. Agarre el balde de ambos lados para sacarlo.



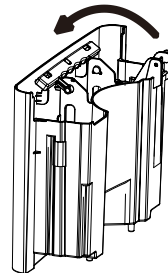
2. Levante el balde utilizando la manija.



3. Vierta el agua en un lavabo o en la bañera.



4. Incline la manija y vuelva a colocar el balde.



IMPORTANTE:

Si la luz de "Vaciar el balde" se enciende, el deshumificador no funcionará. Tiene que vaciar o volver a colocar el balde.

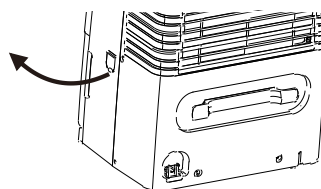
NOTA:

- Si se quita el balde inmediatamente después de apagar el deshumificador, el agua restante en el intercambiador de calor puede gotear dentro del área del balde de almacenaje de agua. Quite el agua con un paño suave.
- Durante la limpieza, no toque el flotador del nivel de agua.
- Durante el uso, limpie el balde una vez a la semana.
- Si la temperatura ambiente es baja, hay menos humedad en el aire para que el producto elimine.
- Desconecte el producto antes de quitar el balde. Si se quita el balde mientras que el producto está en funcionamiento, el compresor se detendrá.

Opción 2 Drenaje por gravedad

Si planea hacer funcionar el deshumificador de manera continua, puede elegir el drenaje directo mediante la adhesión de una manguera de jardín a la unidad.

1. Apague el deshumificador y desconecte el cable de alimentación.
2. Destape el cobertor del conector en el lado lateral de la unidad.

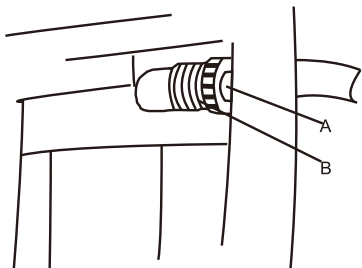


3. Quite balde.

4. Añada la manguera de jardín al conector de la manguera de drenaje en el lateral del deshumificador. Añada la manguera firmemente para asegurarse de que no haya fugas de agua.

NOTA: La manguera de jardín se vende por separado.

La conexión sólo está diseñada para mangueras de jardín de Norteamérica.



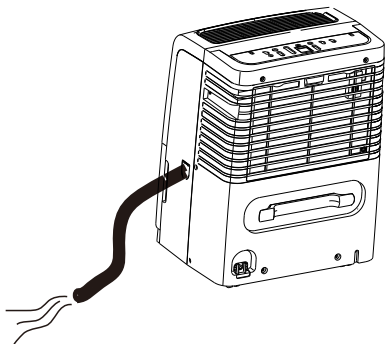
A. Manguera de jardín
B. Conector de la manguera de drenaje

IMPORTANTE:

En Norteamérica, los conectores para las mangueras de jardín son roscas rectas (no cónicas) de un diámetro de 3/4" con una inclinación de 11,5 roscas por pulgada (el macho tiene un diámetro externo de 1.1/16 pulgadas (26,99 mm)).

⚠ ADVERTENCIA Tenga cuidado de no lastimarse las manos cuando conecta la manguera.

5. Coloque el otro extremo de la manguera en el desagüe del suelo. Verifique que la manguera esté plana y en el desagüe. Asegúrese de que el extremo de la manguera de drenaje esté un nivel más abajo que la conexión de la manguera en el deshumificador. La manguera no debe estar retorcida ni apretada.



6 Vuelva a colocar el balde

NOTA:

- Para utilizar el balde sin la manguera de jardín, simplemente quite la manguera y vuelva a colocar el balde.
- El balde debe estar instalado correctamente y alineado para que el deshumificador funcione con o sin la manguera de jardín conectada.

Opción 3 Drenaje por bomba (sólo para modelos con la función de bomba)

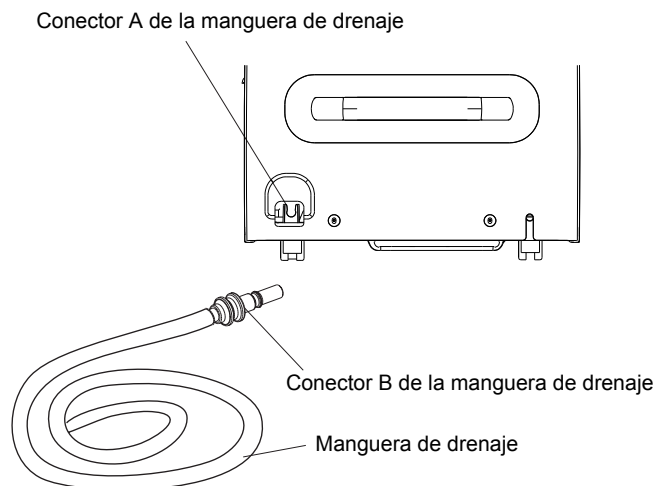
Esta característica puede ayudar a bombear el agua horizontal o verticalmente con una manguera incluida de 16 pies (487,68 cm). También puede bombear el agua al desagüe, fuera de la ventana o donde crea adecuado.

NOTA: Hay dos tipos de conectores. Seleccione las instrucciones de funcionamiento para su modelo.

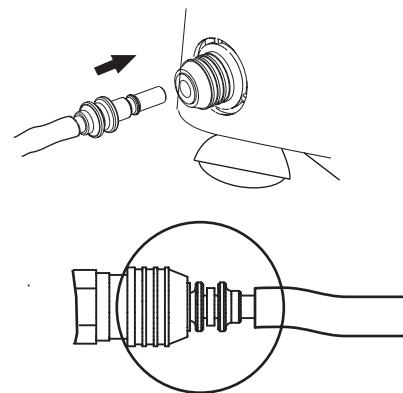
TIPO DE CONECTOR 1

NOTA:

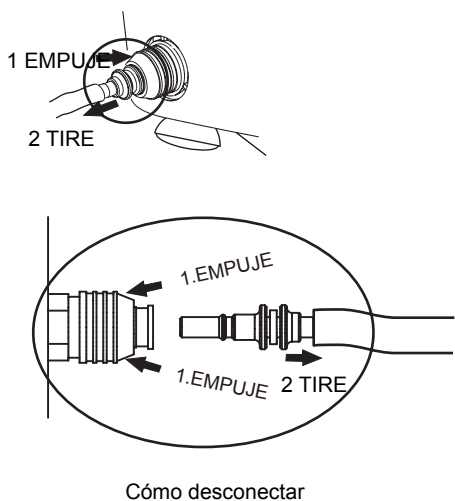
Debe conectar la manguera de drenaje (con el conector B) al conector A antes de presionar el botón Pump [Bomba]. Si la bomba no funciona correctamente, refiérase a "Solución de Problemas" para ver las instrucciones.



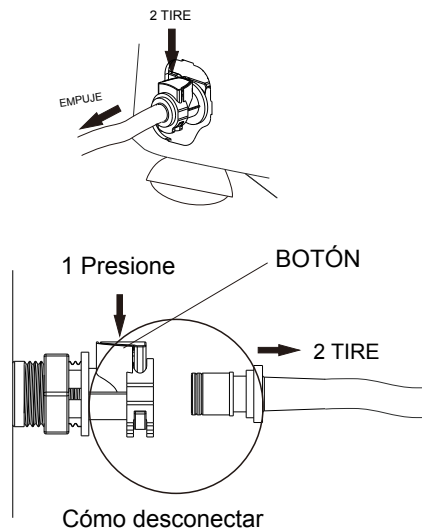
1. Para conectar la manguera de drenaje a la unidad, presione el conector B de la manguera de drenaje al conector A.



2. Para desconectar la manguera de drenaje, presione conector A y luego retire el conector B.



2. Para desconectar la manguera de drenaje, presione el botón de apertura en el conector A y luego retire el conector B.

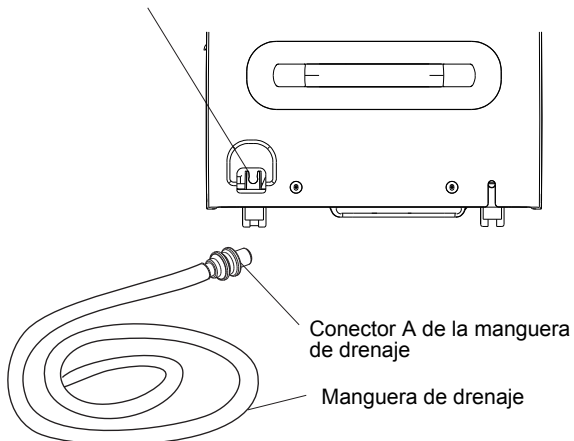


TIPO DE CONECTOR 2

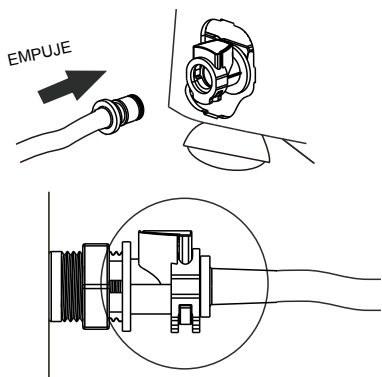
NOTA:

Debe conectar la manguera de drenaje (con el conector B) al conector A antes de presionar el botón Pump [Bomba]. Si la bomba no funciona correctamente, refiérase a la sección "Solución de Problemas" para ver las instrucciones.

Conector A de la manguera de drenaje

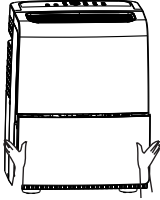


1. Para conectar la manguera de drenaje a la unidad, presione el conector B de la manguera de drenaje al conector A.



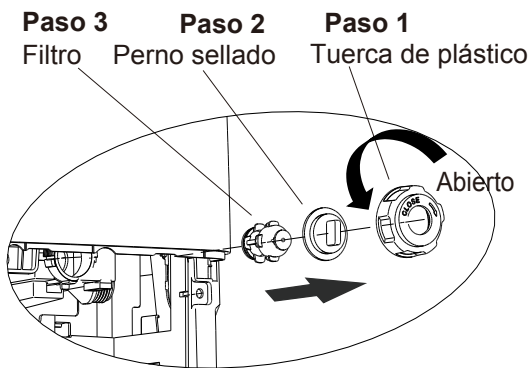
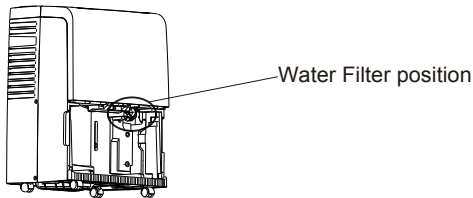
Limpeza del filtro de agua (para modelos inverter con bomba)

1. Desconecte la unidad antes de realizar la limpieza. Después de 3 meses de uso, necesita limpiar el filtro de agua para obtener un funcionamiento de bombeo más uniforme.
2. Quite el balde.



3. Quite la tuerca de plástico, el perno sellado y quite el filtro.

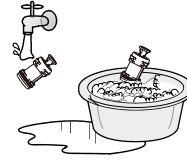
NOTA: Antes de quitar el filtro, coloque un plato debajo de la unidad y asegúrese de que no haya agua drenando desde el puerto.



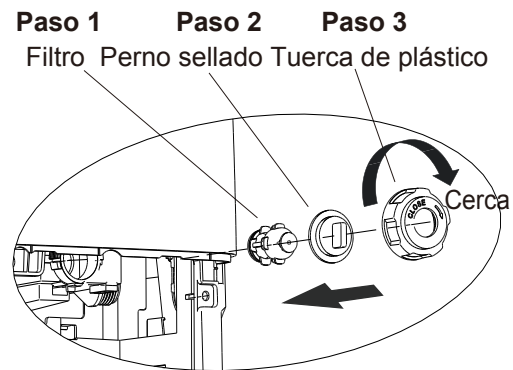
⚠ ADVERTENC

Tenga cuidado de no lastimarse las manos mientras desarma y reinstala las piezas del filtro de agua.

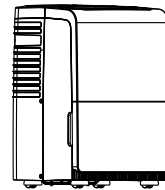
4. Limpie el filtro de agua con un cepillo blando.
 - Si el filtro está muy sucio, lávelo con agua y detergente neutro.
 - Limpie el filtro de agua cada 3 meses.



5. Vuelva a colocar el perno sellado y la tuerca de plástico en la unidad; asegúrese de que el filtro esté instalado en la posición correcta.



6. Vuelva a colocar el balde en la unidad.



IMPORTANTE:

Es necesario limpiar el filtro de agua cada 3 meses en los modelos con una bomba interna.

NOTA:

Si la unidad no va a ser usada durante un cierto período de tiempo, limpie el filtro de agua y drene completamente el deshumidificador. Y asegúrese de volver a instalar las piezas del filtro de agua.

La llamada al servicio para limpiar el filtro de agua no está cubierta por la garantía del producto.

Sonidos normales

Cuando el deshumidificador funciona con normalidad, puede escuchar sonidos como:

- Sonidos del compresor, que pueden ser fuertes.
- El movimiento del aire desde el ventilador.
- Sonidos de la bomba, los cuales pueden ser altos.
- Sonidos de "clic" cuando el deshumidificador o el compresor se enciende o se apaga.

CUIDADO DEL DESHUMIFICADOR

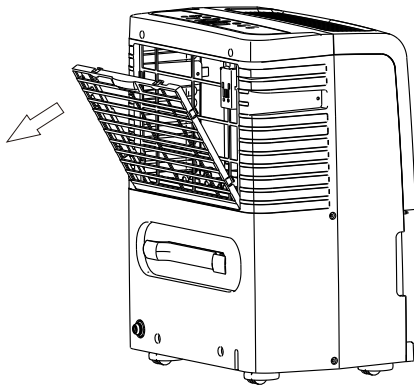
El nuevo deshumificador está diseñado para brindarle muchos años de servicio confiable. Esta sección explica cómo limpiar y cuidar el deshumificador.

Para evitar daños en el compresor, nunca guarde ni envíe el electrodoméstico boca abajo o de lado.

Limpieza del filtro del aire

El filtro de aire es desmontable para una limpieza más fácil. Un filtro limpio ayuda a quitar el polvo, la pelusa y otras partículas del aire y es importante para una mejor eficiencia de funcionamiento. Compruebe el filtro cada dos semanas para ver si necesita limpiarse.

1. Apague el deshumificador.
2. Quite la parrilla de entrada de aire.
3. Quite el filtro de aire.



4. Utilice una aspiradora para limpiar el filtro. Si el filtro está muy sucio, lávelo con agua tibia y con detergente suave.
5. Vuelva a colocar el filtro de aire y la parrilla de entrada de aire.
6. Encienda el deshumificador.

NOTA:

No lave el filtro de aire con detergente para vajillas ni utilice limpiadores químicos. Seque completamente el filtro antes de volver a colocarlo para garantizar una máxima eficiencia.

Limpieza del deshumificador

Exterior

1. Apague el deshumificador y desconecte el cable de alimentación
2. Limpie la superficie de la unidad con un cepillo suave o con un accesorio para quitar polvos de su aspiradora.

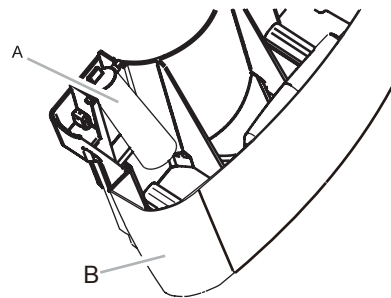
Balde de agua

Cada un par de semanas, enjuague la parte interior del balde con detergente suave para evitar el crecimiento de moho, hongos y bacterias.

Flotador del nivel del agua

El deshumificador cuenta con una luz de EMPTY BUCKET (Vaciar Balde) y un flotador de agua. El balde debe estar correctamente alineado para que el flotador del nivel de agua y la luz EMPTY BUCKET funcionen.

NOTA: Asegúrese de que el flotador esté correctamente en el lugar.



A. Flotador del nivel del agua

B. Balde


SOLUCIÓN DE PROBLEMAS


Antes de llamar al servicio técnico, intente las sugerencias que se mencionan a continuación para ver si puede resolver el problema sin ayuda externa.

El deshumificador no funciona

- ¿El deshumificador está encendido?

Encienda el deshumificador.

 **ADVERTENCIA**



Peligro de descarga eléctrica

Conéctelo a un tomacorriente de tres patas con conexión a tierra.

No quite la terminal a tierra.

No utilice un adaptador.

No utilice un cable de extensión.

El incumplimiento de estas instrucciones puede resultar en la muerte, incendios o descargas eléctricas.

- ¿El cable de alimentación está conectado a un tomacorriente de tres patas con conexión a tierra?

Conéctelo a un tomacorriente de tres patas con conexión a tierra. Refiérase a "Requisitos eléctricos".

- ¿Se quemó un fusible o el disyuntor saltó?

Reemplace el fusible o reinicie el disyuntor. Si el problema continua, llame a un electricista. Refiérase a "Requisitos eléctricos".

- ¿El balde está instalado correctamente?

Vuelva a colocar el balde para que encaje en el deshumificador.

- ¿Se necesita vaciar el balde?

Vacíe el balde.

- ¿El flotador de nivel del agua está en el lugar?

Quite el balde. Asegúrese de que el flotador esté correctamente en su lugar. Vuelva a colocar el balde

Se forma hielo en las bobinas

- Todos los modelos tienen la función de deshielo que cortará el compresor y dejará que funcione el ventilador.

Esto reduce la formación de hielo en las bobinas. El compresor volverá a su ciclo cuando la función de deshielo detecte la temperatura de funcionamiento correcta.

El deshumificador funciona pero no deshumidifica

- ¿El deshumificador se detuvo de repente o no enciende?

Compruebe que esté conectado y que el balde esté en el lugar. Si la unidad no funciona, llame a Hisense por el servicio de garantía.

- Todos los modelos tienen la función de deshielo que cortará el compresor y dejará que funcione el ventilador.

Cuando la función de deshielo detecta la temperatura de funcionamiento correcta, el compresor volverá a funcionar.

- ¿El control está configurado en Continuous/Super Dry?

Si ha seleccionado Continuous/Super Dry, el deshumificador funcionará continuamente. Si el nivel de humedad de la habitación es bajo, poco o nulo se puede acumular agua.

- El filtro está sucio u obstruido por restos.

Limpie el filtro.

El aire que proviene del deshumificador es cálido

- El deshumificador sacará aire cálido bajo condiciones de funcionamiento normales.

El deshumificador muestra códigos de error

- Si el deshumificador muestra un error, llame al centro de servicio al cliente de Hisense.

El sistema de bomba no funciona

¿El indicador de la bomba parpadea?

1. Compruebe y asegúrese de que la manguera de drenaje esté conectada correctamente a la unidad.
2. Presione el botón POWER para apagar la unidad. Reinicie la unidad presionando el botón POWER nuevamente.

