

DDE400

- Use and maintenance manualpag. 3
- Mode d'emploi et d'entretienpag. 12
- Instrucciones de usopag. 22

DēLonghi



IMPORTANT SAFEGUARDS

ENGLISH

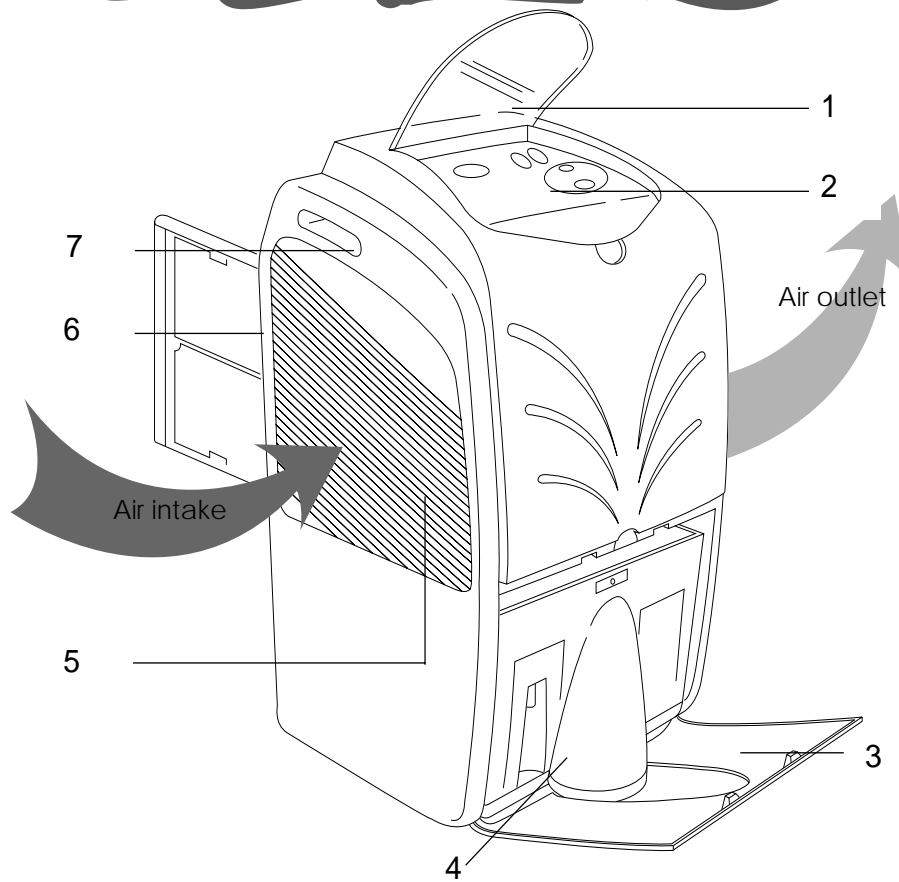
When using electrical appliances, basic safety precautions should always be followed, including the following:

- Read all instructions.
- This appliance is designed to dehumidify domestic living areas, and must not be used for other purposes.
- The appliance must not be modified in any way, as any modifications may be extremely dangerous.
- If the appliance requires repair, always contact a Service Centre authorized by the manufacturer. Always insist on original spare parts. Repairs carried out by non-qualified personnel may be dangerous and render the warranty null and void.
- This appliance must be used by adults only. Do not allow children to play with the appliance.
- The appliance must be adequately grounded. Have your electrical circuit checked by a qualified electrician.
- Do not use extension power cables.
- Always remove the plug from the socket before performing cleaning or maintenance operations.
- Do not move the appliance by pulling the power cable.
- Do not install the appliance in areas containing gas, oil or sulphur. Do not install the appliance near sources of heat.
- Do not place heavy or hot objects on the top of the appliance.
- Clean the air filter at least once weekly.
- The appliance must always remain upright or laid on one side during transportation. Remember to drain the tank before transporting the appliance..
- After transporting the appliance, wait 24 hours before using it.



THIS PRODUCT IS FOR HOUSEHOLD USE ONLY

SAVE THESE INSTRUCTIONS

Description/Accessories



- 1. Control panel cover
- 2. Control panel
- 3. Tank door
- 4. Condensate collection tank
- 5. Air intake grille
- 6. Air filter
- 7. Lifting carry handle

Accessory	Description	No. provided
	condensate drain hose	2 m (6.5 ft)
	rubber bung	1

Installation

Condensate can be drained in one of two ways:

A) Draining into the tank

The condensate can be drained directly into the tank located inside the appliance (fig. 1). The tank can be easily removed and has a handle making it simple to carry and empty.

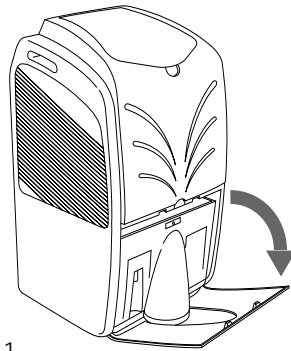


fig. 1

B) Continuous external draining

If the appliance is to be operated for long periods of time but you are unable to empty the tank, you are recommended to use the continuous drain facility.

- 1) Remove the rubber bung from the spout (Fig. 2).
- 2) Make a hole in the tank inside the spout using a fine drill bit 8 mm (1/4" or 3/8") (Fig. 2).
- 3) To fit the rubber hose to the spout, open the door, remove the tank, pass the drain hose provided through the space between the door (at a slight angle) and the bottom of the appliance, reposition the tank and fit the hose onto the spout (Fig. 3).
- 4) Close the door.
- 5) Make sure the hose is levelled down otherwise the water will remain in the tank. Check there are no kinks in the hose.

N.B.: Keep the rubber bung. You will need it to plug the hose or close the spout if you revert to draining into the tank (see point A).

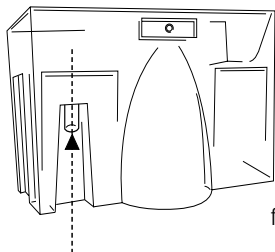


fig. 2

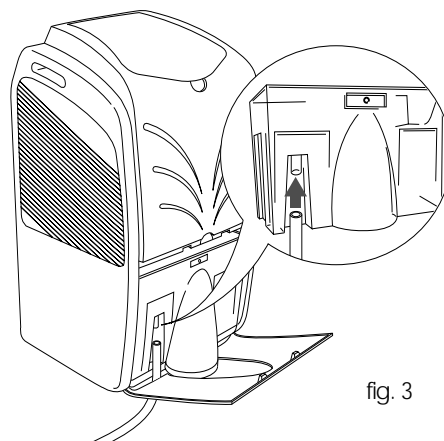
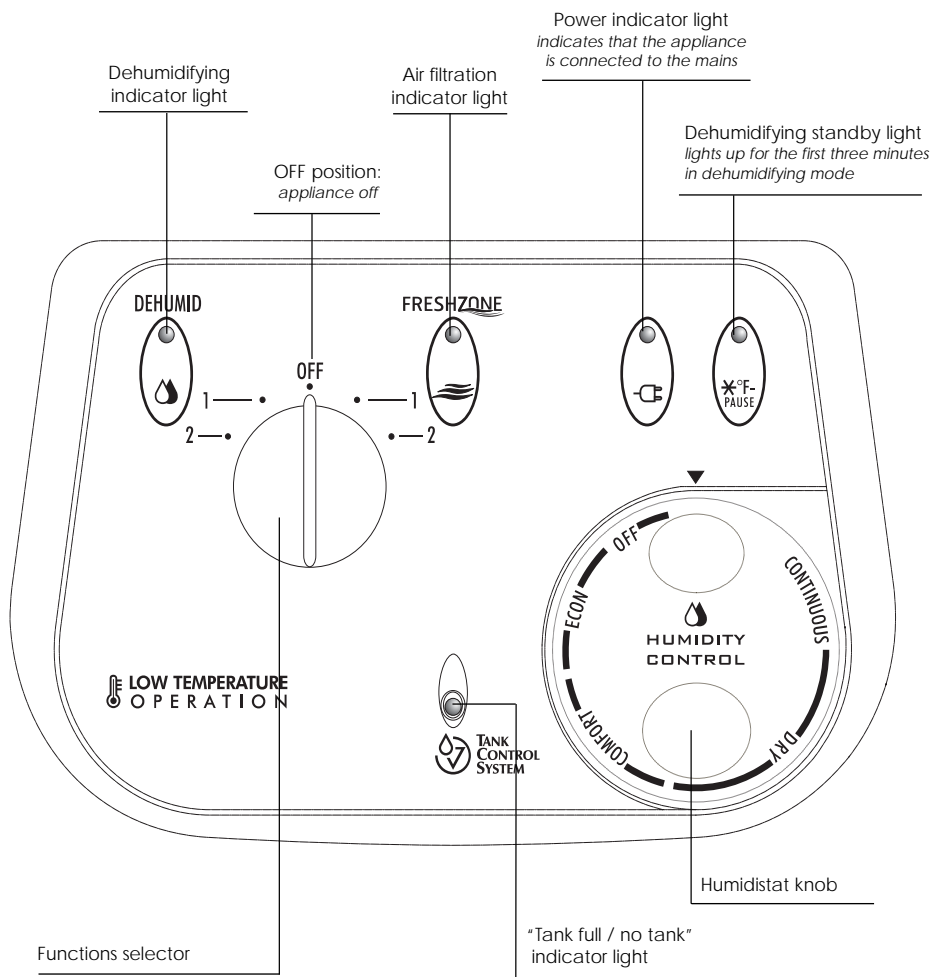


fig. 3

Description of controls



Tank control system

This dehumidifier is fitted with a special device to ensure correct operation.

A red indicator light on the control panel comes on to warn the user when:


1. the tank is full *empty the tank*
2. the tank is missing *replace the tank*
3. the tank is in the wrong position *position the tank correctly*
4. in continuous drain: the hose is not levelled properly .. *remove the obstruction*

Once the cause has been eliminated, the light goes out and the appliance resumes operation.

Selecting operating modes

ENGLISH

How to dehumidify


- 1) Plug the appliance into a mains socket. The power light comes on to show the appliance is connected to the mains.
- 2) Check that the "tank full/no tank" indicator light is off.
- 3) Turn the humidistat to the "CONTINUOUS" (continuous operation) position and the function selector switch to one of the two DEHUMIDIFICATION positions  : 1 = min. 2 = max.

The dehumidification pause light comes on during the first three minutes (safety device), followed by the dehumidification light.

When the humidity in the room has reached the required level, slowly turn the humidistat knob anticlockwise until the dehumidifying light goes out. The dehumidifier will then keep the humidity in the room at the selected level automatically.

Note: When dehumidifying, the appliance not only dehumidifies but also slightly warms the air (1-2°C (2-3°F) hotter than room temperature)

How to ventilate

Turn the function selector switch to one of the two VENTILATION positions  : 1 = min. 2 = max.

The ventilation light comes on

TO TURN THE UNIT OFF COMPLETELY, SET THE FUNCTION SELECTOR TO THE OFF POSITION AND UNPLUG FROM THE POWER SOCKET.

Cleaning/Warnings

Maintenance

Always remove the plug from the power socket before performing any cleaning or maintenance operations. For safety reasons, never wash the dehumidifier using a water jet.

Cleaning the cabinet

- Clean the appliance using a damp cloth then dry with a dry cloth.
- Never use petrol, alcohol or solvents to clean the appliance.
- Never spray the appliance with insecticides or similar. These could cause the paint to flake or plastic parts to warp.

Cleaning the air filter

If the filter is dirty, air circulation is compromised and the efficiency of the dehumidifying and air filtration functions decreases. It is therefore good practice to clean the filter at regular intervals. The frequency depends on the duration and conditions of operation. If the unit is used constantly or systematically, you are recommended to clean the filter once a week.

- To remove the air filter, extract by pulling it as shown in fig. 4.
- Use a vacuum cleaner to remove dust accumulations from the filter. If the filter is very dirty, wash in warm water and rinse several times. The temperature of the water should not exceed 104°F (40°C). After washing the filter, allow to dry completely before putting it back in the appliance.

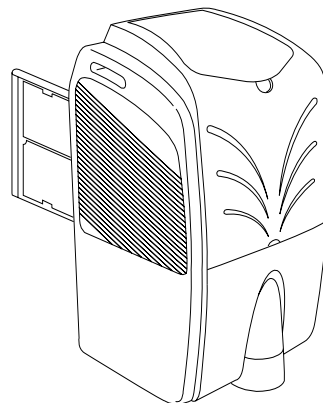


fig. 4

If the appliance is not used for long periods

- Unplug from the main socket.
- Empty the tank.
- Clean and reposition the filter.
- Cover the appliance so that dust does not build up.

Troubleshooting

ENGLISH

Check the following points before calling your local Technical Service Centre.

Problem	Cause	Remedy
The appliance does not work in dehumidifying mode (indicator light off)	<ul style="list-style-type: none"> •the appliance is not plugged in •there is no current •the humidistat is on minimum •the tank is full of water •the tank is incorrectly positioned or missing 	<ul style="list-style-type: none"> •plug into the mains •check the power supply •set the humidistat to the required level •empty the tank •gently place the tank in the correct position
The appliance operates in dehumidifying mode (light on) but the humidity is not reduced	<ul style="list-style-type: none"> •filter clogged •the temperature or humidity of the home is too low •room too large •too many sources of humidity in room (boiling pots etc.) •the compressor is off because the defrosting device has cut in (yellow light ON) 	<ul style="list-style-type: none"> •clean the filter •in certain conditions, it is normal for the appliance not to dehumidify (see "Technical characteristics") •switch the appliance off, wait 30 minutes then turn on again. We suggest to heat the room. (see "Brief notes on humidity" If the problem is not solved, call the Technical Service Centre.
The appliance doesn't work for about 3 minutes from turning on the appliance	<ul style="list-style-type: none"> •the appliance's security system has intervened 	<ul style="list-style-type: none"> •wait for 3 minutes

Technical Characteristics

Power supply voltage	See rating label
Absorbed power dehumidifying only	"
Maximum absorbed power	"
Maximum absorbed current	"
Refrigerant	"
Air treated (min/max)	210/300 m ³ /h (120/180 CFM)
Defrosting device	electronic
Humidistat	yes
Fan speeds	2
Compressor protection device	yes
Air filter	yes
Dimensions LxHxD	365x610x375mm (14.4"x24"x14.7")
Weight (net)	21,5 Kg (55 lbs)
Tank capacity	5.5 litres (11.6pt)
Operating limits:	Dehumidifying
• temperature	7° - 32° (44°F -89°F)
• relative humidity	30 - 95%

Warranty

ENGLISH

FOR UNITED STATES ONLY:




LIMITED WARRANTY

What Does This Warranty Cover? We warrant each appliance to be free from defects in material and workmanship. Our obligation under this warranty is limited to replacement or repair, free of charge at our factory or authorized service centers, of any defective part or parts thereof other than parts damaged in transit, which shall be returned to us, transportation prepaid. This warranty shall apply only if the appliance is used in accordance with the factory directions which accompany it, and on an Alternating Current (AC) circuit.

How Long Does The Coverage Last? This warranty runs for one year from the date of delivery and applies only to the original purchaser.

What Does This Warranty Not Cover? This warranty does not cover defects or damage of the appliance which result from repairs or alterations to the machine outside our factory or authorized service centers, nor shall it apply to any appliance which has been subject to abuse, misuse, negligence or accidents. Also, consequential and incidental damages resulting from the use of this product or arising out of any breach of contract or breach of this warranty are not recoverable under this warranty. Some states do not allow the exclusion or limitation of incidental or consequential damages, so the above limitation may not apply to you.

How Do You Get Service? If repairs become necessary or spare parts are needed, please write to: If repairs become necessary or spare parts are needed, please write to:

De'Longhi America Inc.
Park 80 West Plaza One
Saddle Brook, N.J. 07663

or call Service Tel. No. 800-322-3848

The above warranty is in lieu of all other express warranties and representations; All implied warranties are limited to the applicable warranty period set forth above. This limitation does apply if you enter into an extended warranty in connection with De'Longhi. Some states do not allow limitations on how long an implied warranty lasts, so the above exclusions may not apply to you. De'Longhi does not authorize any other person or company to assume for it any liability in connection with the sale or use of its appliance.

How Does State Law Apply? This warranty gives you specific legal rights, and you may also have other rights which vary from state to state.