

[all-guides.com](http://all-guides.com)



**Instructions for use.** Keep these instructions  
**Mode d'emploi.** Conservez cette notice  
**Instrucciones para el uso**  
Repase y guarde estas instrucciones  
Lea cuidadosamente este instructivo  
antes de usar su aparato

DEHUMIDIFIER  
DESHUMIDIFICATEUR  
DESHUMIDIFICADOR

**DDSE30 - DDSE40**



Register this product on-line and receive a free trial issue of Cook's Illustrated. Visit [www.delonghi.com](http://www.delonghi.com) for a list of service centers near you.

Registre este producto en línea y reciba un ejemplar gratis de Cook's Illustrated. Visite [www.delonghi.com](http://www.delonghi.com) para ver la lista de centros de servicios cercanos a usted.

Enregistrez ce produit en ligne et recevez un numéro gratuit de Cook's Illustrated. Visitez [www.delonghi.com](http://www.delonghi.com) pour y voir une liste des centres de réparation proches de chez vous.

ELECTRIC CHARACTERISTICS - CARACTÉRISTIQUES ÉLECTRIQUES - CARACTERISTICAS ELECTRICAS  
**115 V~ 60 Hz 3.8 A (DDSE 30) - 4.6 A (DDSE40)**

# Description

## SOME NOTIONS ON HUMIDITY

Air always contains a certain quantity of water in the form of vapour; this determines the degree of humidity in a room.

The capacity of air to contain water vapour increases as its temperature increases. This is why in our homes, as soon as the temperature drops, the air releases the water vapour contained in it, turning into condensation, which appears on all cold surfaces such as windows, walls etc.

The dehumidifier is an electric appliance that extracts humidity from the air, avoiding the damage that it causes.

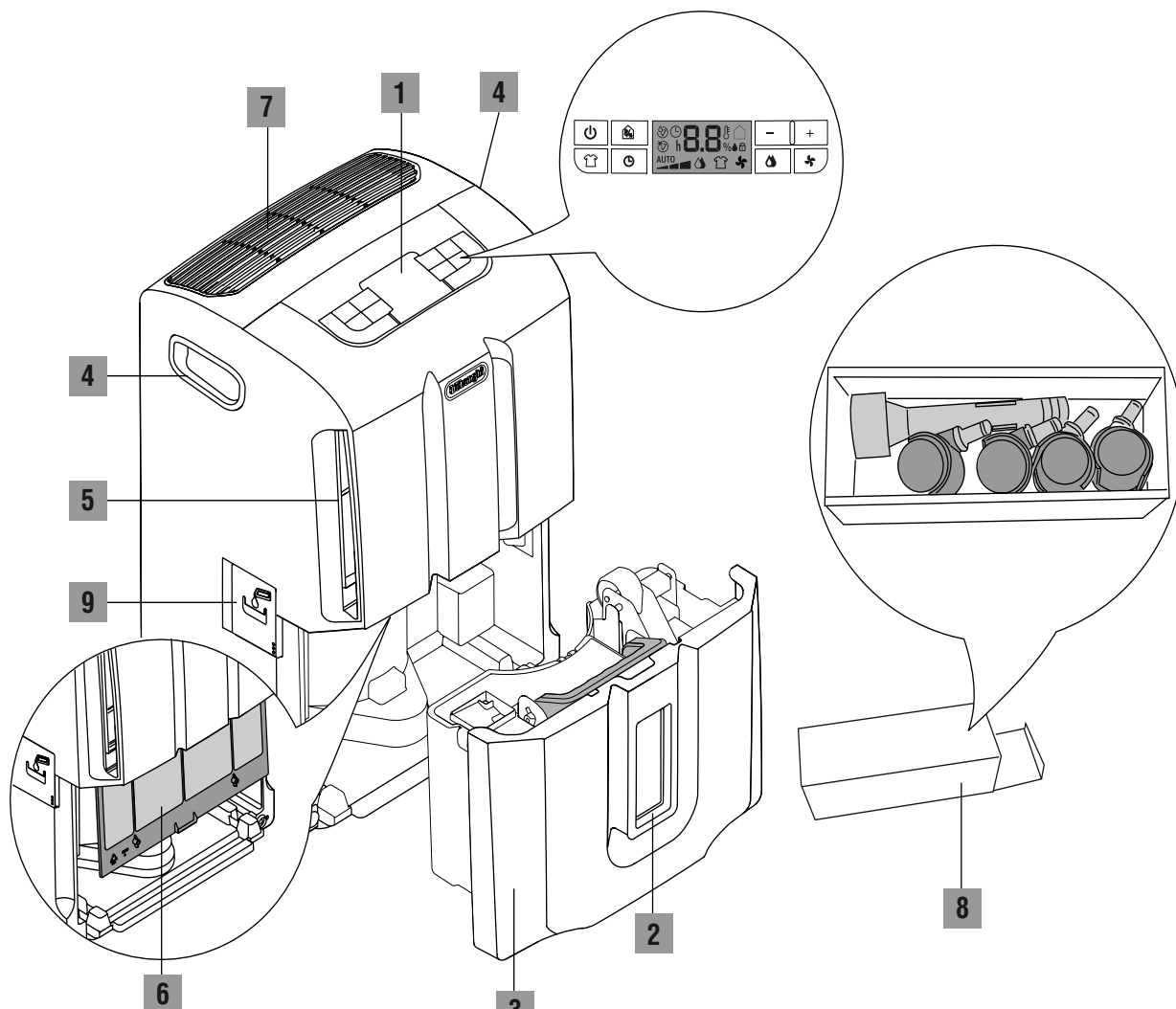
With very low temperatures, you are recommended to heat the room even minimally.

This is the only way, in fact, to allow the condensation that forms on the windows and other cold surfaces to evaporate into the air and be collected by the dehumidifier.

The air released by the dehumidifier is generally warmer than the air in the room.

## DESCRIPTION/ACCESSORIES

1. Control panel
2. Water level viewing window
3. Condensate collection tank
4. Lifting handles
5. Air intake openings
6. Air filter
7. Air outlet grille
8. Accessory box containing condensate drain pipe + 4 castors
9. Continuous drain door



## INTRODUCTION

Thank you for choosing a De'Longhi product.  
Take a few minutes to read these instructions for use.  
This will avoid danger or damage to the machine.

### Symbols used in these instructions

The important warnings are represented by the symbols listed here below.

It is vital to observe these warnings.

Failure to observe the warnings provided may result in electric shock, serious injury, burns, fire or damage to the appliance.



**Danger!**

Failure to comply can be the cause of life-threatening injury by electric shock.



**Important!**

Failure to comply can be cause of injury or damage to the appliance.



**Notes:**

This symbol highlights recommendations and important information for the user.

### Problems and repairs

In the event of problems first try and resolve them by following the warnings provided in the "Troubleshooting" chapter on page 9.

If the appliance requires repair, always contact a Service Center authorized by the manufacturer.

To locate an authorized Service Center call our toll free number (refer to the page Limited Warranty for the phone number)

Always insist on original spare parts. Repairs carried out by unauthorized personnel may be dangerous and invalidate the guarantee.

## IMPORTANT SAFEGUARDS

### Fundamental Safety Warnings



**Danger!** As this appliance runs on electrical current, it is important to observe the following safety warnings:

- Do not touch the appliance with wet hands.
- Do not touch the plug with wet hands.
- Make sure the outlet used is always accessible, enabling you to unplug the appliance when necessary.
- Always unplug the appliance using the plug itself. Never pull the cable as it might be damaged.
- To disconnect the appliance completely from the electricity supply, you must unplug it from the outlet.
- If the appliance malfunctions, do not attempt to repair it yourself. Turn the appliance off, unplug from the outlet socket and contact a Service Center.
- Do not move the appliance by pulling the power cable.
- It is dangerous to modify or alter the characteristics of the appliance in any way.
- If the power cable is damaged, it must be replaced by the manufacturer or an authorized technical service center in order to avoid all risk.
- Do not use extension cords.
- The appliance must be installed in accordance with the rules on household appliances in force in the country concerned.
- This appliance is not intended for use for water damage restoration of commercial/household properties.
- The appliance must be connected to a properly grounded outlet. Have your electrical circuit checked by a qualified electrician.



**Important!** Keep the packaging material (plastic bags, polystyrene foam) out of the reach of children.



**Important!** The appliance is not intended for use by persons (including children) with reduced physical, sensory or mental capabilities, or lack of experience and knowledge, unless they have been given supervision or instruction concerning use of the appliance by a person responsible for their safety. Always supervise children. Make sure they do not play with the appliance.

**SAVE THESE INSTRUCTIONS  
THIS PRODUCT IS FOR  
HOUSEHOLD ONLY**

## Use in compliance with its intended use

This appliance is intended for domestic use only.

Use this appliance only as described herein. These instructions do not intend to cover every possible condition and situation that may arise.

Common sense and caution should be applied when installing, operating and storing any appliance.

## General safeguards

- Do not install the appliance in rooms containing gas, oil or sulphur. Do not install near sources of heat.
- Do not use the appliance on sloping surfaces.
- Keep the appliance at least 2 ft (61cm) away from flammable substances (alcohol etc) or pressurised containers (e.g. aerosol cans).
- Do not rest heavy or hot objects on top of the appliance.
- Always transport the appliance upright, NOT on its side. Remember to drain the condensate tank before moving the appliance.

If the appliance was transported on its side, you must wait at least 6 hours before using it (24 hrs is recommended).

**ENVIRONMENTAL INFORMATION:** This unit contains fluorinated greenhouse gases covered by the Kyoto Protocol. Avoid perforating the refrigerant circuit of the appliance.

Maintenance and disposal must be carried out by qualified personnel only (R410A, GWP=1975).

- The materials used for packaging can be recycled. You are therefore advised to dispose of them in special differentiated waste collection containers.
- Do not use the appliance outdoors.
- Do not obstruct the air intake or outlet.

## USE

Read these instructions carefully before using the appliance.

- Keep these instructions.  
If the appliance is transferred to other owners, they should also be given these instructions.
- Failure to respect the instructions may result in injury or damage to the appliance.  
The manufacturer is not liable for damage deriving from failure to follow these instructions.

## Electrical connections

Wait at least 6 hour after transporting the appliance before starting it.



Before plugging the appliance into the outlet, check that:

- The outlet, power supply corresponds to the working voltage indicated on the rating plate.
- The power outlet, and electrical circuit are adequate for the appliance.
- The power outlet, matches the plug. If this is not the case, have the plug replaced by a qualified electrician;
- The outlet is properly grounded.

## Setting it up for use

Position the appliance in the room to be dehumidified.

It is essential to leave a free space of at least 2 ft (61 cm) in front and on the top of the dehumidifier, so as not to obstruct the air inlet and outlet.

For efficient ventilation it is advisable to leave a space of at least 2-4 inches (5-10 cm) all around the appliance.

## Applying the castors

If you wish to apply the castors to the appliance, proceed as follows:

- 1) Make sure the appliance is unplugged and the tank is empty.
- 2) Remove the rubber caps from the base of the appliance by pulling them out hard, using pliers if necessary (see figure 1/a).
- 3) Apply the castors by inserting their pins into the holes (see figure 1/b).

## Tools needed and estimated time

Tools required: pliers if necessary.

Assembly time: approx. 5 minutes.

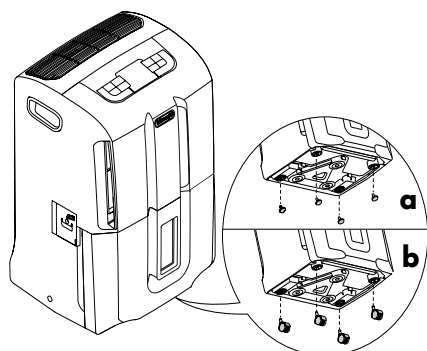


Fig. 1

**i** **Notes:** When carrying out these operations be careful not to incline the appliance by more than 45°; in any case, once the castors have been assembled, wait at least one hour before turning it on.

## Draining the condensate water

The condensate can be drained in 2 ways:

### a) Draining into the tank

The condensate can be drained directly into the tank. With this draining system, when the tank is full, the appliance stops and the screen displays the tank alarm **F E**. When the tank is full, remove it as shown in fig. 2 and empty it into a sink or a bathtub.

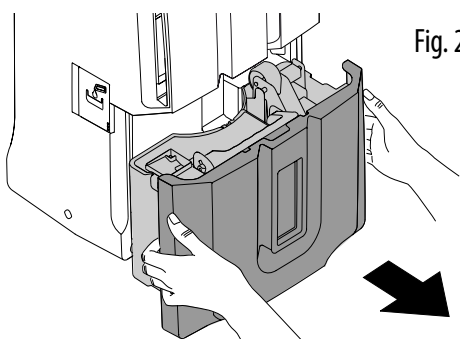


Fig. 2

When the operation is complete, put the tank back in correctly being careful to position the handle as shown in figure 3.

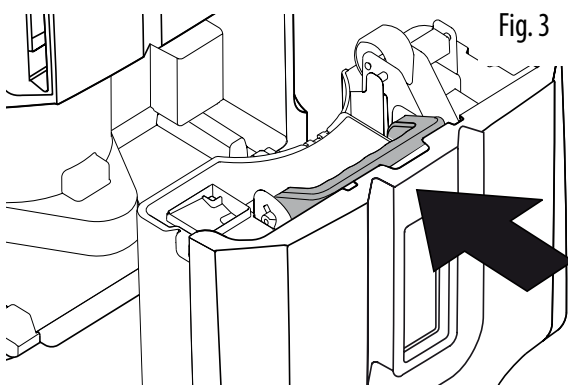


Fig. 3

### b) Continuous external draining

If you require the appliance to operate for a long period of time without periodically emptying the tank, we advise you to set up continuous draining as follows:

- Open the door on the side of the appliance and screw the pipe onto the fitting, as shown in figure 4.

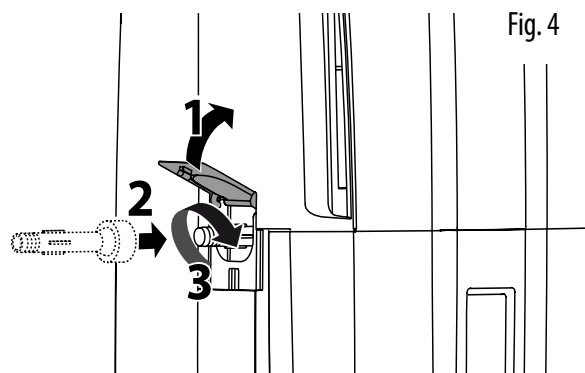


Fig. 4

- Insert a garden hose (not supplied with the appliance) into the pipe and lead the end of the hose to a floor-level drain. Make sure the tank is inserted correctly.
- Make sure the hose is never placed at a height above the level of the pipe (fig. 5). Otherwise the water will continue to drain back into the tank. Make sure there are no kinks in the hose.

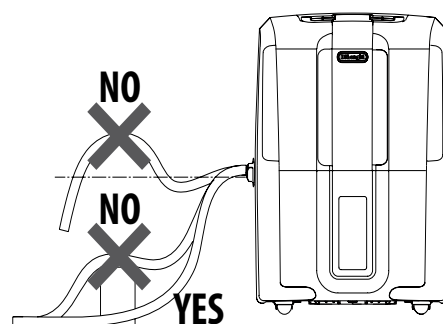
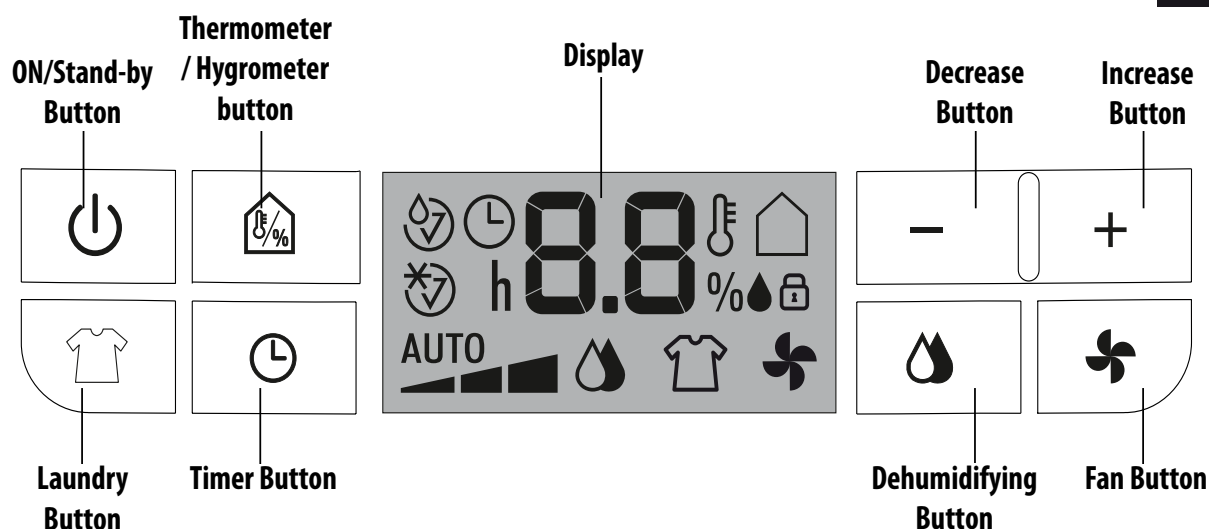


Fig. 5

# Control panel en



## Buttons description

### "ON/Stand-by" Button

This turns the appliance on / off.

### Dehumidifying Button


This starts the dehumidifying mode.

Press the button repeatedly to select the desired dehumidifying level (MIN/MED/MAX/AUTO).

### Laundry Button

This starts the laundry mode.

### Fan Button

This starts the fan mode. Press the button  repeatedly to select the desired level of ventilation (MIN/MED/MAX).

### Thermometer / Hygrometer Button

This temporarily displays the temperature and the level of humidity detected in the room where the appliance is installed.

### Timer Button

This allows you to set the timer function to delay when the appliance comes on or goes off.

### **+/- Increase/Decrease Buttons**

These allow you to set the percentage of humidity you wish to achieve in the room, by increasing or decreasing it by 5% at a time.

It is also possible to set the timer using these buttons.

From 0 to 10 h the time is adjusted by 30-minute increments, and from 10 to 24 h the time is adjusted by 1-hour increments.

## Description of the Display

The meanings of the codes or symbols which may appear on the display:



**Stand-by**

This indicates that the appliance is in Stand-by mode.



**Tank Alarm**

If this symbol appears it means that the tank is full, absent or incorrectly positioned.

This alarm continues until the tank is correctly positioned.



**Defrost alarm**

At low temperatures, the appliance frequently carries out defrost cycles. During defrost this symbol will appear.




**Probe Alarm**

This indicates a possible malfunction of the probes or that the ambient humidity is too low to be detected.





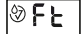
**Keyboard Lock**

This symbol appears when the keyboard lock is enabled.




 **Notes:** with the aim of saving energy, after the appliance has been in stand-by for a few minutes, the display will go off.



## MODE SELECTION

Plug the appliance into a mains socket. The appliance will operate in the previously-set mode. If the symbol , appears on the display this means that the appliance is in stand-by. Press the button  to turn the appliance on. If the symbol  appears, it is necessary to empty or position the tank correctly.



### Dehumidifying Mode

Press the button . The symbol  and the previously set level of relative humidity will appear on the display. Press the + or - button to select the desired level of humidity (30% corresponds to a dry environment, 80% corresponds to a humid environment). Press the button  repeatedly to select the desired dehumidifying level (MIN/MED/MAX/AUTO).






With the "AUTO" dehumidifying level the appliance independently establishes the most suitable power and level of humidity, based on the ambient conditions. When the room has reached the set level of humidity, the appliance will stop. It will automatically begin dehumidifying as soon as the ambient humidity exceeds the desired level.

### "Laundry" Mode


Press the button . The symbol  appears on the display. The appliance operates at its maximum dehumidifying capacity. This mode is suitable for particularly humid rooms or to allow laundry to dry quicker.


### Fan Mode

Press the button  to turn on the fan mode. The symbol  appears on the display. This mode purifies the room using silver ion filter that the appliance is fitted with. Press the button  repeatedly to select the desired speed ventilation (MIN/MED/MAX).





### Thermometer / Hygrometer Function

Press the button . The screen temporarily displays: temperature and level of humidity of the area surrounding the appliance.

 **Notes:** the detected and displayed measurements must be considered indicative.

### Keyboard Lock Function

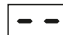




This mode is used to lock the keyboard, with the aim of avoiding unwanted tampering with the appliance. To enable or disable this mode, with the appliance on (not in stand-by), press and hold down keys  and - for at least 3 seconds. The appliance will emit an acoustic signal. When the mode is enabled the symbol  appears on the appliance.

### Change of the temperature scale





To change the temperature from °F to °C or viceversa, while the appliance is on, press the button  for at least 20 seconds. The appliance will emit an acoustic signal.

### Timer Function




#### How to programme delay ON

- 1) With the appliance in stand-by , press the button . The symbol  will appear, together with the number of hours of delay you wish the appliance to start up.
- 2) Use the + and - buttons to set the number of hours required (0.5÷24h). Press the button  to confirm. The symbol  will stay on.
- 3) When the set time has passed, the appliance will start up on its own.

#### How to programme delay OFF

- 1) While the appliance is on, press the button . The symbol  will appear, together with the number of hours of delay you wish the appliance to switch off.
- 2) Use the + and - buttons to set the number of hours required (0.5÷24h). Press the button  to confirm. The symbol  will stay on.
- 3) When the set time has passed, the appliance will switch off on its own.

#### Changing or disabling the timer function

If you wish to change the timer settings press the key , once, and use the + and - buttons. Press the button  to confirm. If you wish to disable the timer mode press the timer key twice. The symbol  will go off.

#### Auto restart

At start up or when the power comes back on after a blackout the appliance will start up in the last mode that was enabled before the appliance was switched off. In case of a power outage, any timer programming will be deleted.

# Cleaning and maintenance / Features en

## CLEANING AND MAINTENANCE

Always unplug the appliance from the power socket before performing any cleaning or maintenance operations.

For safety reasons, never wash the dehumidifier using a jet of water.

### Cleaning the cabinet

- Clean with a slightly damp cloth and dry with a dry cloth.
- Do not use petrol, alcohol or solvents to clean the appliance.
- Do not spray liquid insecticide or similar products as they may deform the plastic.

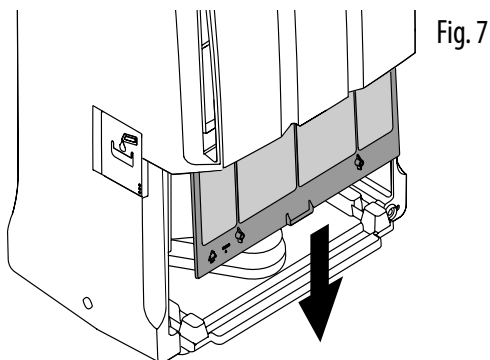
### Cleaning the anti-bacteria air filter

If the filter is dirty, air circulation is compromised and consequently the efficiency of the dehumidifier decreases.

It is therefore good practice to clean the filter at regular intervals. Frequency depends on the conditions and duration of operation.

If the appliance is used constantly or frequently it is advisable to clean the filter once a week.

- Once the tank has been taken out, remove the filter by pulling it downwards (fig.7).



- Use a vacuum cleaner to remove dust accumulations from the filter.

If the filter is very dirty, rinse it well with warm water.

The temperature of the water must not exceed 104°F (40°C).

After washing the filter allow it to dry completely before putting it back in place.

The anti-bacteria filter, in addition to trapping dust particles, has an anti-bacterial action.

Furthermore, it considerably reduces other irritating agents such as pollen and spores.

### For long periods of downtime

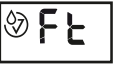


- After unplugging the appliance from the power outlet, empty the tank.
- Clean the filter and put it back in.
- Cover the appliance with a plastic bag to protect it from dust.

## TECHNICAL SPECIFICATIONS

Power supply voltage	See rating plate	
Absorbed power	"	
Maximum absorbed power	"	
Defrost device	Yes	
Hygrometer	Yes	
Fan speed	3	
Air filter	Yes	
Operating limits:		
temperature	35.6°F - 89.6°F	(2°C - 32°C)
relative humidity	30-90%	

**TROUBLESHOOTING**

Check the following points before calling De'Longhi customer service.

PROBLEMS	CAUSES	SOLUTION
The appliance is operating in dehumidifying mode but the humidity does not decrease.	<p>The filter is clogged.</p> <p>Either the temperature or the humidity in the room is too low.</p> <p>The room is too large for the dehumidifying power of the appliance.</p> <p>The set humidity value is too high. Check the windows are closed</p>	<p>Clean the filter.</p> <p>In certain conditions it is normal for the appliance not to dehumidify. Check the operating limits of the appliance in the "Technical Specifications" chapter.</p> <p>In certain cases it is advisable to heat the room you wish to dehumidify.</p> <p>Decrease the set humidity value.</p>
The appliance does not operate after start up.	The safety device has correctly made the appliance trip.	Wait for 3 minutes to pass. (It's due to a normal safety check)
<p> appears on the display</p> <p> appears on the display</p> <p> appears on the display</p>	<p>The tank is missing.</p> <p>The tank is full.</p> <p>The tank is positioned incorrectly.</p> <p>The room temperature is very low.</p> <p>One of the probes is faulty or the humidity in the room is too low or too high to be detected correctly.</p>	<p>Put the tank back in place.</p> <p>Empty the tank.</p> <p>Position the tank correctly.</p> <p>When the defrost cycle will finished the light will goes off automatically</p> <p>See if the appliance starts working again when moved into another room with a level of humidity within the operating limits indicated in the "Technical Specifications" section.</p> <p>If the problem persists, contact De'Longhi customer service.</p>

# Limited warranty

This warranty applies to all products with De'Longhi or Kenwood brand names.

## Limited Warranty

We warrant each De'Longhi appliance to be free from defects in material and workmanship. From the purchase date, our obligation under this warranty is to provide one (1) year free parts and labor on the entire appliance, with an additional four (4) years free on any part of the sealed system consisting of the compressor, evaporator, condenser and factory connected refrigerant tubing. Labor and all other parts during the additional four (4) year warranty are to be paid by the owner. All appliances in need of repair are to be shipped to an authorized De'Longhi service center at the owner's expense, and De'Longhi will then incur the return shipping costs. After the first five (5) years of ownership, all expenses (all parts, labor and shipping) are to be paid by the owner of the unit. This warranty shall apply only if the appliance is used in accordance with the factory directions that accompany it, and on an Alternating Current (AC) circuit. This warranty is in lieu of all other warranties and representations, expressed or implied, and all other obligations or liabilities on our part. We do not authorize any other person or company to assume for us any liability in connection with the sale or use of our appliance. This warranty shall not apply to any appliance that has been repaired or altered outside our factory nor shall it apply to any appliance that has been subjected to misuse, negligence or accidents.

## How do you get service?

If repairs become necessary, see contact information below:

### U.S. Residents:

Please contact our toll free hotline at **1-800-322-3848** or log onto our website at **www.delonghi.com**.

### Residents of Canada:

Please contact our toll free hotline at **1-888-335-6644** or log onto our website at **www.delonghi.com**.

### Residents of Mexico:

Please contact our toll free hotline at **1-800-711-8805** or log onto our website at **www.delonghi.com**

The above warranty is in lieu of all other express warranties and representations. All implied warranties are limited to the applicable warranty period set forth above. This limitation does not apply if you enter into an extended warranty with De'Longhi. Some states/countries do not allow limitations on how long an implied warranty lasts, so the above exclusions may not apply to you. De'Longhi does not authorize any other person or company to assume for it any liability in connection with the sale or use of its appliance.

## How does state law apply?

This warranty gives you specific legal rights, and you may also have other rights, which vary from state to state/country to country.