

Brief notes on humidity

Air always contains a certain amount of water in the air in the form of water vapour.

This amount of moisture is commonly known as the humidity.

As the air warms up more moisture can be held so the level of moisture is relative to the temperature.

This is why people talk about relative humidity expressed as a percentage.

When the weather is very hot and damp a relative humidity at 30°C can be perhaps 85%, yet on a cold foggy day the air can be 5°C, again with a relative humidity of 85%.

In both cases it is possible to think of the air as being 85% full of water vapour, near to saturation.

In our homes, when temperatures drop, the water vapour held in the air condenses on cold surfaces such as windows and walls, causing condensation and damp.

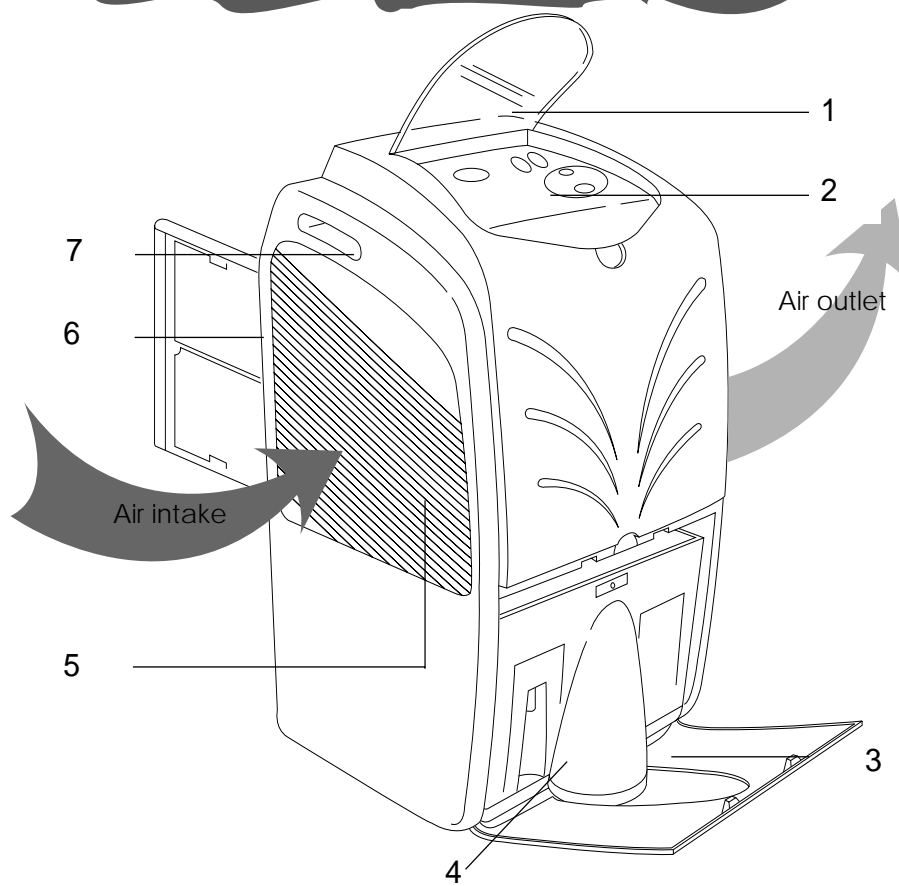
The purpose of a dehumidifier is to remove the excess moisture from the air, to control condensation within the home.

Experts have established that the optimum environmental conditions for our well being and preserve objects are obtained between 40% and 60% relative humidity. Below these levels the air can feel too dry and may cause skin complaints and even static electric shocks.



The amount of water collected in the tank will be higher at times when outside air temperatures are warm and high humidity prevails, than in the middle of winter when the air is cold with high humidity. This is due to the fact that cold air is capable of holding less water vapour than warm air.

If temperatures in the home are lower than 10°C for prolonged periods low level heating will be necessary to allow the condensate to evaporate into the air before dehumidification can take place. The air will however be slightly warmed by the dehumidifier as the dry air leaving the dehumidifier is about 1°C higher than normal room temperature.

Description/Accessories



- 1. Control panel cover
- 2. Control panel
- 3. Canister door
- 4. Condensate collection tank
- 5. Air intake grille
- 6. Air filter
- 7. Lifting handle

Accessory	Description	No. provided
	condensate drain hose	1 (2 m)
	rubber bung	1

Important

Important

- This appliance is designed to dehumidify domestic rooms and must not be used for other purposes.
- It is dangerous to modify or alter the characteristics of the appliance in any way.
- If the appliance requires repair, always contact a Technical Service Centre authorised by the manufacturer. Always insist on original spare parts. Repairs carried out by unauthorised personnel may be dangerous and invalidate the guarantee.
- This appliance must be used exclusively by adults. Do not allow children to play with the appliance.
- The appliance must be connected to an efficient earth installation. Have your electrical circuit checked by a qualified electrician.
- Do not use extension power cables.
- The cable must be replaced by approved service personnel only.
- Before cleaning or maintenance operations, always unplug the appliance from the mains.
- Do not move the appliance by pulling the power cable.
- Do not install the appliance in rooms containing gas, oil or sulphur. Do not install near sources of heat.
- Keep the unit at least 50 cm away from inflammable substances (alcohol etc) or pressurised containers (eg. aerosol cans).
- The appliance must be installed in line with the relevant national legislation.
- Do not rest heavy or hot objects on top of the appliance.
- Clean the air filter regularly.
- Always transport the appliance upright or resting on one side. Remember to drain the tank before moving the appliance.
- The appliance must be installed in line with the relevant national legislation.
- Therefore at the end of the working life of the appliance the unit should be taken to a recycling centre for disposal of the refrigerant.
- R290 is a refrigerant in accordance with CEE ecological rules. Therefore, do not pierce the refrigerant circuit. At the end of the working life of the appliance the unit should be taken to a recycling centre for disposal of the refrigerant.
- The materials used for packaging can be recycled. You are therefore recommended to dispose of them in special differentiated waste collection containers.
- Do not use the appliance outdoors.
- Do not obstruct the air intake or outlet.
- If the appliance is utilised in areas where there is no ventilation of air, it is necessary to take precautions to avoid that the refrigerant gases that may leak from the appliance do not remain in the room, thereby causing a fire hazard.
- Do not cover this appliance with bags when is not in use.
- This appliance must be utilised and installed only in rooms with a total volume of 8 cubic metres or greater.
- Unventilated area where the appliance using flammable refrigerants is installed shall be so constructed that any leaked refrigerants will not stagnate so as to cause a fire or an explosion hazard caused by igniting stagnant refrigerants from other source such as electric heater, stove and similar home applications. The dehumidifier must be used only as indicated in this manual. These instructions are not intended to cover as many as possible conditions and situations which may arise. As with all household appliances installation, operation and conservation should be carried out prudently and following common sense.

ENGLISH

Technical assistance

Keep the list of Technical Service Centres and identify the Centre nearest you.

Electrical connections

After moving the appliance, wait at least an hour before turning it on again.

Before plugging the appliance into the power socket, check that:

- The mains power supply corresponds to the power supply indicated on the rating plate.
- The power socket and electrical circuit are adequate for the appliance.
- The power socket matches the plug. If this is not the case, have the plug replaced by a qualified electrician;
- The power socket must be adequately earthed;

Installation

Place the dehumidifier in a suitable position, a hallway or landing are generally good sites. The appliance must be positioned so that the air intake and air outlet grills are at least 50 cm away from any wall or obstacle to ensure adequate ventilation.

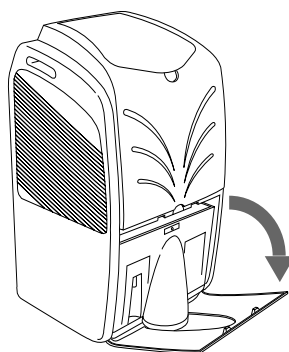
Condensate can be drained in one of two ways:

A) Draining into the tank

The condensate can be drained directly into the tank located inside the appliance (fig. 1).

The tank can be easily removed and has a handle making it simple to carry and empty.

fig. 1



B) Continuous external draining

If the appliance is to be operated for long periods of time but you are unable to empty the tank, you are recommended to use the continuous drain facility.

- 1) Remove the rubber bung from the spout (Fig. 2).
- 2) Make a hole in the tank inside the spout using a fine drill bit (8mm) (Fig. 2).
- 3) To fit the rubber hose to the spout, open the door, remove the tank, pass the drain hose provided through the space between the door (at a slight angle) and the bottom of the appliance, reposition the tank and fit the hose onto the spout (Fig. 3).
- 4) Close the door.
- 5) Make sure the hose is on the level otherwise the water will remain in the tank. Check there are no kinks in the hose.

N.B.: Keep the rubber bung. You will need it to plug the hose or close the spout if you revert to draining into the tank (see point A).

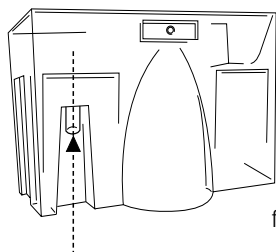


fig. 2

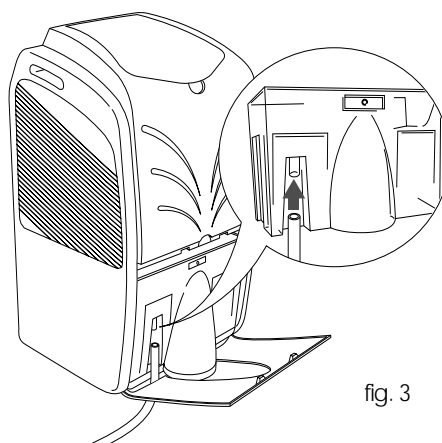
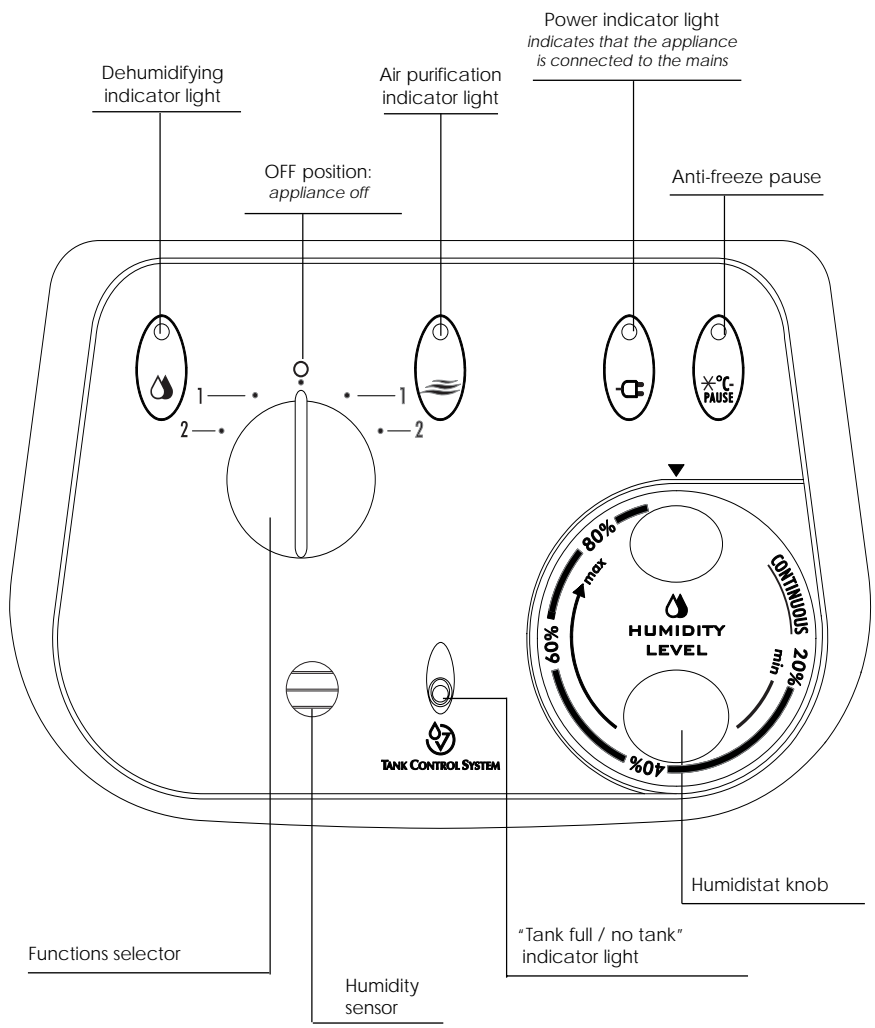


fig. 3

Description of controls

ENGLISH



Tank control system


This dehumidifier is fitted with a special intelligent device to ensure correct operation. A red indicator light on the control panel comes on to warn the user when:

1. the tank is fullempty the tank
2. the tank is missingreplace the tank
3. the tank is in the wrong positionposition the tank correctly
4. in continuous drain: the hose is obstructed or the difference in level is too greatremove the obstruction.

Once the cause has been eliminated, the light goes out and the appliance resumes operation.

Selecting operating modes

How to dehumidify

- 1) Plug the appliance into a mains socket. The power light comes on to show the appliance is connected to the mains.
- 2) Check that the "tank full/no tank" indicator light is off.
- 3) Turn the humidistat to the "CONTINUOUS" (continuous operation) position and the selector switch to one of the two DEHUMIDIFICATION positions  : 1 = min. 2 = max.

At this point the phase of safety pre-ventilation begins. The fan begins to operate at the minimum speed and the dehumidification indicator light blinks quickly for 3 minutes, after which it remains permanently on.

When the humidity in the room has reached the required level, slowly turn the humidistat knob anticlockwise until the dehumidifying light goes out. At this point, the dehumidification indicator light starts flashing slowly again and the fan carries out periodic ventilation at minimum speed, so as to detect the humidity of the environment with greater precision. The dehumidifier will then keep the humidity in the room at the selected level automatically.

Note: When dehumidifying, the appliance not only dehumidifies but also slightly warms the air (1-2°C hotter than room temperature)

How to ventilate

Turn the selector switch to one of the two VENTILATION positions  : 1 = min. 2 = max.

TO TURN THE UNIT OFF COMPLETELY, SET THE FUNCTION SELECTOR TO THE "O" POSITION AND UNPLUG FROM THE MAINS.

Cleaning/Warnings

Maintenance

Always remove the plug from the power socket before performing any cleaning or maintenance operations. For safety reasons, never wash the dehumidifier using a water jet.

ENGLISH

Cleaning the cabinet

- Clean the appliance using a damp cloth then dry with a dry cloth.
- Never use petrol, alcohol or solvents to clean the appliance.
- Never spray the appliance with insecticides or similar. These could cause the paint to flake or plastic parts to warp.

Cleaning the air filter

If the filter is dirty, air circulation is compromised and the efficiency of the dehumidifying and air purifying functions decreases. It is therefore good practice to clean the filter at regular intervals. The frequency depends on the duration and conditions of operation. If the unit is used constantly or systematically, you are recommended to clean the filter once a week.

- To remove the air filter, extract by pulling it as shown in fig. 4.
- Use a vacuum cleaner to remove dust accumulations from the filter. If the filter is very dirty, wash in warm water and rinse several times. The temperature of the water should not exceed 40°C. After washing the filter, allow to dry completely before putting it back in the appliance.

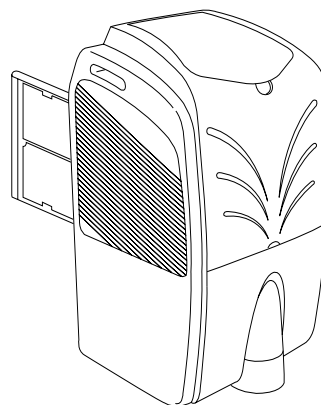


fig. 4

If the appliance is not used for long periods





- Unplug from the mains socket and empty the tank.
- Clean and reposition the filter.

Begin of season checks

Check that the power cable and socket are undamaged and that the earth installation is efficient.

Troubleshooting

Check the following points before calling your local Technical Service Centre.

Problem	Cause	Remedy
The appliance does not work	<ul style="list-style-type: none"> • the appliance is not plugged in • there is no current 	<ul style="list-style-type: none"> • plug into the mains • check the power supply
The Tank Control System  indicator light comes on	<ul style="list-style-type: none"> • The tank is full • The tank is missing • The tank is positioned wrongly • In continuous drain: the hose is obstructed or the difference in levels is too great 	<ul style="list-style-type: none"> • Empty the tank • Replace the tank • Position the tank correctly • Remove the obstruction
The anti-freeze Pause indicator light  stays on continuously	<ul style="list-style-type: none"> • Low temperature in the environment causes the safety device to intervene 	<ul style="list-style-type: none"> • It is normal for the appliance to defrost at temperatures less than about 18°C. • At temperatures less than 5°C, it is necessary to heat up the environment (even a little).
The indicator lights for purification  and anti-freeze pause  flash.	<ul style="list-style-type: none"> • Fans malfunctioning 	<ul style="list-style-type: none"> • Take the plug out from the power socket and then insert it again. If the problem occurs again, call the assistance centre.
The appliance operates in dehumidification mode (with the dehumidification indicator light on), but does not reduce the humidity	<ul style="list-style-type: none"> • The room is too big • There are too many sources of humidity in the room (boiling saucepans/pots, etc.) • The appliance is too small for the room 	

Technical Characteristics

Power supply voltage	See rating label
Absorbed power dehumidifying only	"
Maximum absorbed power	"
Maximum absorbed current	"
Refrigerant	R-290
Air treated (min/max)	210/300 m ³ /h
Defrosting device	yes
Humidistat	yes
Fan speeds	2
Compressor protection device	yes
Air filter	yes
Dimensions LxHxD	365x610x375 mm
Weight (net)	22 Kg.
Tank capacity	5.5 litres
Operating limits:	Dehumidifying
• temperature	+5° - 32°
• relative humidity	30 - 95%

ENGLISH

The transportation, loading, cleaning, recovery, and breaking down of the refrigerant agents must be effected only by the technical service centres authorised by the manufacturer.

The break down of the appliance must be done only by specialised personnel authorised by the manufacturer.

