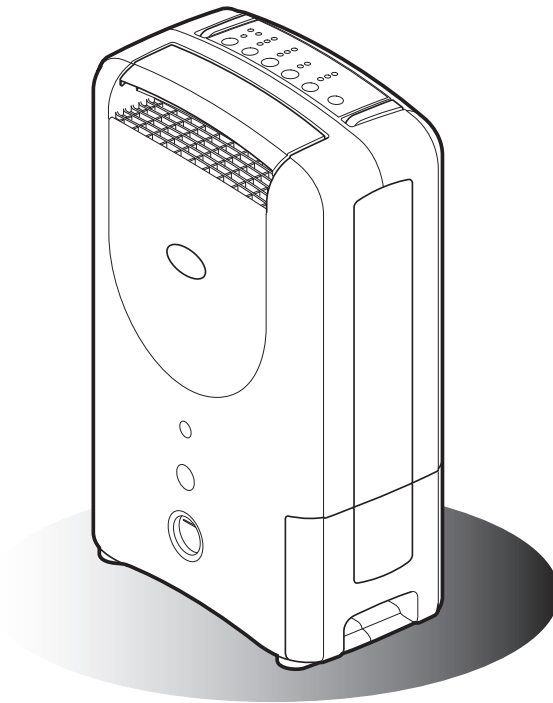




Dehumidifier/Dryer

Model: EDV-4000



Please read the instruction manual before operating.

Keep in a safe place for future reference

IMPORTANT SAFETY INSTRUCTIONS

PLEASE READ ALL INSTRUCTIONS CAREFULLY BEFORE OPERATING.

WARNING - This appliance is intended for use in a domestic/office environment only. Any other use is not recommended by the manufacturer and may cause fire, electrical shocks or other injury to person or property.

When using electrical appliances, basic safety precautions should always be followed:

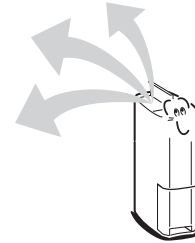
1. Do not operate the unit with a damaged cord or plug, after it malfunctions or has been dropped or damaged in any way. Return to an authorized service facility for examination and repair.
2. EDV-4000 should always be kept in an upright position to avoid any damage. Place the unit on a flat stable surface.
3. Check the household voltage to ensure it matches the units rated specification before operating.
4. Operate this unit in an ambient temperature between 34°F and 104°F.
5. Ensure that the air inlets and outlets are not blocked or covered.
6. Do not place the unit too close to curtains or other objects - min 16 inches.
7. When using the "DRYER MODE" to speed up the drying of wet clothes in the room, please keep the clothing at a safe distance from the unit to prevent water from dropping onto the unit.
8. Never place anything on top of the unit and do not cover with any kind of material while in use.
9. This product is intended for domestic and light office use ONLY and not for commercial, industrial or outdoor use.
10. To protect against electrical shocks, do not immerse unit, plug or cord in water, or spray with liquids.
11. Never unplug the power cord without pressing the "ON/OFF" key to the OFF position ,as this could damage the unit.
12. Always unplug the unit when not in use or moving location. To disconnect from the power supply, grip the plug and pull from the power socket. Never pull by the cord.
13. Always empty the water tank before storing the unit away.
14. Close supervision is necessary when any appliance is used by or near children and pets.
15. Do not run power cord under carpeting, or cover with rugs or runners. Arrange the cord away from areas where it may be tripped over
16. Never operate or store the unit in direct sunlight.
17. To repair the unit, take it to a qualified service engineer. Repairs carried out by unqualified people may cause damage to the unit or injury to persons or property and void the warranty.
18. Where possible, avoid the use of an extension cord as they may overheat and cause a risk of fire. Only use an extension cord after ensuring it is in perfect condition.
19. Do not use the unit without the air filter.

This appliance is not intended for use by persons (including children) with reduced physical, sensory or mental capabilities, or lack of experience and knowledge, unless they have been given supervision or instruction concerning use of the appliance by a person responsible for their safety. Children should be supervised to ensure that they do not play with the appliance.

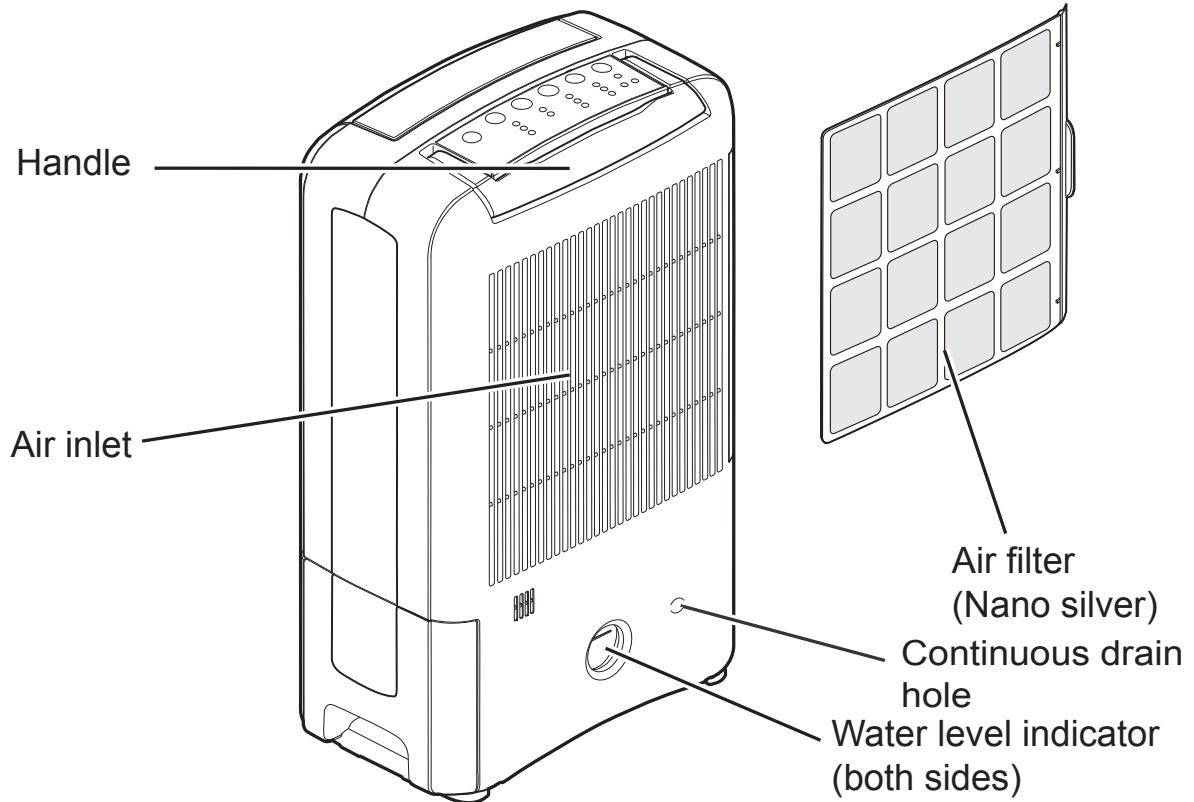
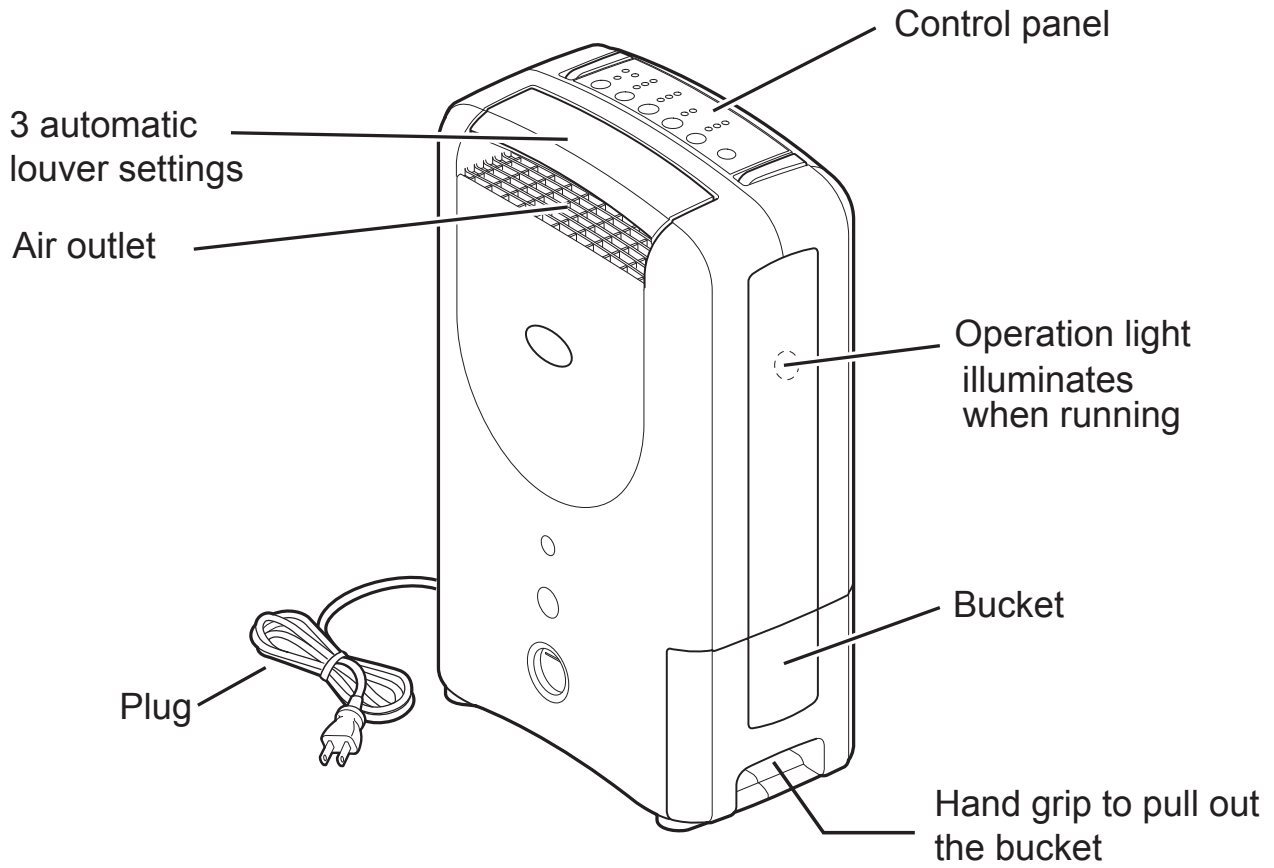
SAVE AND READ THESE IMPORTANT SAFETY INSTRUCTIONS

FEATURES

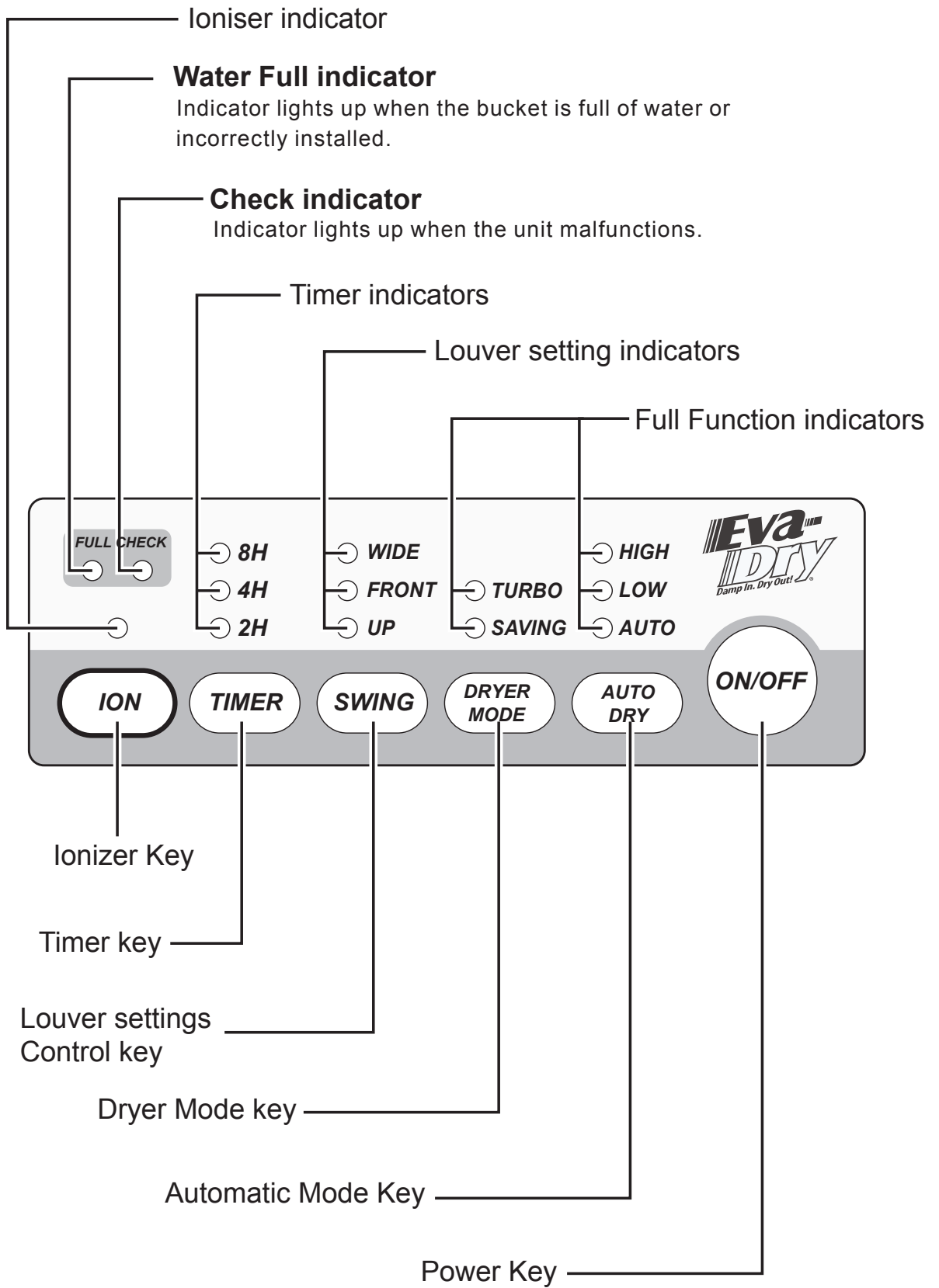
- **Compressorless dehumidifier** ~ uses desiccant rotor technology
- **Environmentally friendly** with no harmful gasses and quiet in operation
- **Moisture removal** ~ 7 Liters/day (68°F RH60%)
- **Water tank capacity** ~ 2 Liters
- **Special silver coating within the filter** ~ kills bacteria on contact, improving the quality of air in your home or office
- **Built-in ioniser**
- **Electronic louver**
- **Dryer mode** ~ includes power saving setting for summer use and turbo setting for winter
- **Up to 8 hour timer** ~ for added convenience
- **Temperature range for use** ~ 34°F-104°F
- **Light and portable with carry handle**
- **Removable water bucket with handle**
- **Operating light**
- **Auto restart after power cut**
~ Once the power is restored after a power failure, the appliance will continue to operate at the selected settings prior to the power failure.



PRODUCT DESCRIPTION



THE CONTROL PANEL



UNIT SETUP

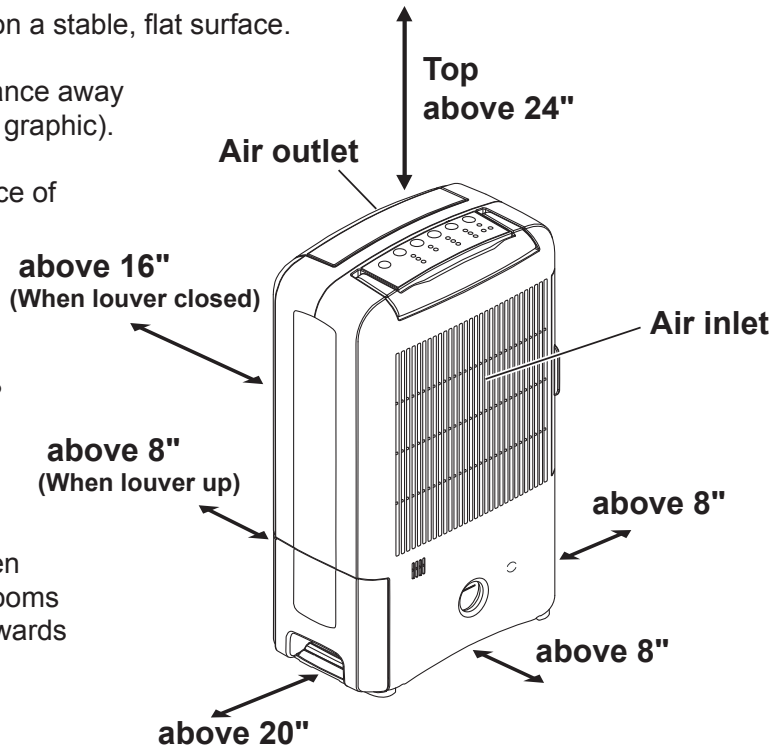
- Place the unit in an upright position on a stable, flat surface.
- Please ensure the unit is a safe distance away from a wall or furniture (see the right graphic).
- Please keep clothes at a safe distance of 16" from air outlet of the unit to prevent water dripping into the unit.

- Where to position your dehumidifier?

For best results position the unit somewhere central like a landing or a hallway.

As long as the internal doors are open the excess moisture from all of the rooms in the house will migrate naturally towards the unit and be processed.

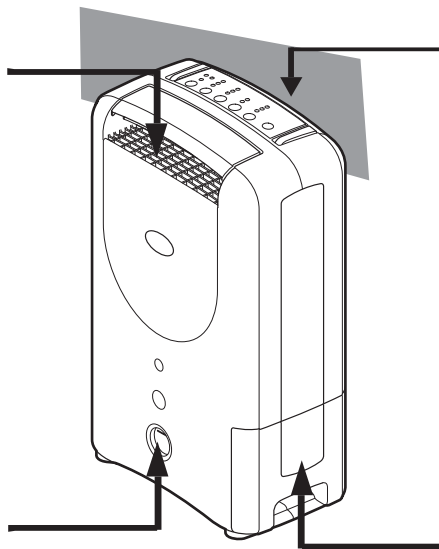
- Keep the unit running continuously in Auto mode and it will then decide how much drying is required using its humidity sensor and a mixture of the Low and High fan speeds.



TO OPERATE SAFELY

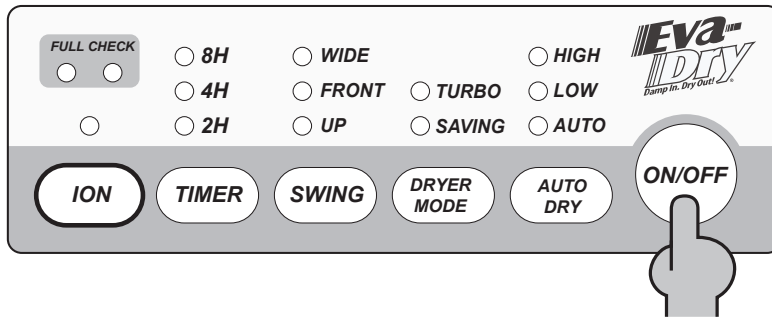
- Do not insert small objects into the unit or this will damage it and cause a hazard.

- Do not remove bucket when running or water may leak.



- Keep suitable space as above

- Ensure bucket is fitted correctly, if the bucket is full or is not in place, the "FULL" lights and the machine stops.



■ ON and OFF

Connect the power plug to the appropriate electrical socket outlet.

Press the ON/OFF button to turn the appliance ON.

Press the ON/OFF button again to turn the appliance OFF.

Note: In the event of a power failure

Once the power is restored after a power failure, the appliance will continue to operate at the selected settings prior to the power failure.

This includes the dryer mode, swing function and time remaining in timer mode.

Note: After turning the appliance OFF

After turning the appliance OFF using the ON/OFF button, the fan will continue to run for a two minute period. This is a normal procedure and helps to cool and protect the internal components.

During the two minutes DO NOT remove the power plug from the electrical socket outlet; wait for the fan to stop running.

AUTO DRY MODE

- Press the "AUTO DRY" Key for automatic dehumidification.

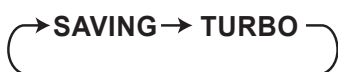


MODE	DESCRIPTION
AUTO	<p>To keep the room at a comfortable Relative Humidity (RH) level</p> <ul style="list-style-type: none"> • The unit automatically keeps room humidity at 55~60% RH.
LOW	<p>To run low fan speed</p> <ul style="list-style-type: none"> • The unit automatically dehumidifies in low fan speed and low noise.
HIGH	<p>Super dry mode to prevent dew</p> <ul style="list-style-type: none"> • The unit automatically keeps room humidity at 40~45% RH to prevent dew in the room.

Note: There may be no difference between AUTO and LOW fan Speeds
 AUTO itself is not a fan speed but a target relative humidity set point that uses either the low or high fan speeds to reach it's target of 55-60%RH.
 If the relative humidity of the room is close to or within this range then switching between LOW and AUTO will make no difference to the fan speed.

DRYER MODE

- Press the "DRYER MODE" key for drying clothes.


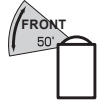
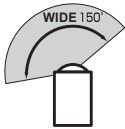


MODE	DESCRIPTION
SAVING	<p>Suitable for summer to save power</p> <ul style="list-style-type: none"> • The unit automatically provides warm dry air to assist in clothes drying with low power.
TURBO	<p>Suitable in winter to dry clothes faster</p> <ul style="list-style-type: none"> • The unit automatically provides heat air to dry clothes faster with higher power.

AUTO SWING LOUVER

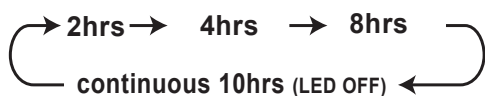
- Press the "SWING" Key to select air louver angle.



MODE	DESCRIPTION
UP	<ul style="list-style-type: none"> • The automatic louver swings in an upward range of approx 100° 
FRONT	<ul style="list-style-type: none"> • The automatic louver swings in a front range of approx 50° 
WIDE	<ul style="list-style-type: none"> • The automatic louver swing in a wide range of approx 150° 
HOLD	<ul style="list-style-type: none"> • The automatic louver stops swinging when you press "SWING" key and turns the LED off.

TIMER MODE

- Press the "TIMER" Key to select your desired running time (2,4 or 8 hours). The unit will automatically switch off at the end of the selected time period. As the time counts down the LED (4 or 2 hours) lights will indicate the time remaining.
- When no "TIMER" is set (the LED is off), the unit will run for 10 hours, unless the bucket is already full.



IONIZER

- Press the "ION" Key to turn the ionizer on and off. When the LED is on, the unit releases negative ions from the air outlet.

Smell coming from this unit

When you first use the unit and periodically afterwards you might notice a smell coming from it. This is caused by the Zeolite desiccant material and is not a sign that it is faulty, nor is it harmful to humans or pets.

The smell occurs because the Zeolite absorbs odors from items such as cigarettes, cosmetics, hair sprays, building materials and new furniture and then when the desiccant is heated the smell is discharged into the room. This smell has been described as being like a burning smell or a sour smell. It is normal, will not last long and is not a sign of a faulty units.

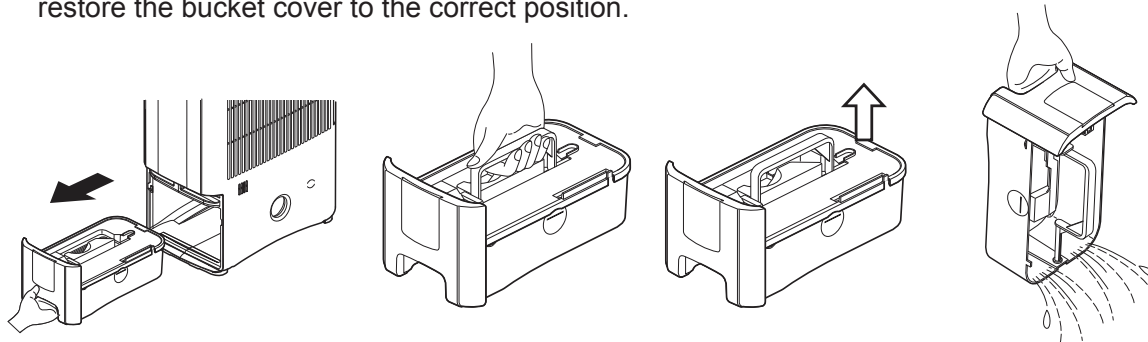
Amount of water collected

When you first use your dryer it will work harder to reduce the room humidity to it's target of 55-60%RH, this is the time when it will produce the most water and need emptying most frequently. As the room becomes dryer the unit collects less water and runs at a lower fan speed. This is normal. When the target relative humidity has been reached, the air coming out of the unit will not be heated and it will only be running in low fan mode. This is because there is no need for dehumidification at this point and the unit is sampling the air to check the current relative humidity to see if dehumidification is required.

If you find that you still have condensation on your windows, or you need to dry the air further, then use the High fan speed or Turbo Dryer mode, forcing the unit to dry the air upwards to 45%RH. It might be necessary if you have single glazed windows or if the outside air temperature drops to freezing.

TO EMPTY THE BUCKET

1. When the bucket is full, the "FULL" LED lights and the unit stops in a few minutes.
2. Do not move the unit or remove the bucket, if the machine is still operating, water may leak, damage the unit or cause an electric shock.
3. To remove the bucket, pull out by gripping the bottom of the bucket, and lift carefully.
4. Remove the cover off bucket first, then pour the water out, clean the bucket and restore the bucket cover to the correct position.

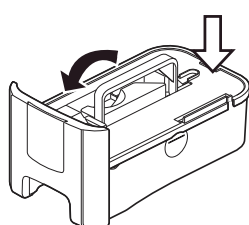


Pull bucket out

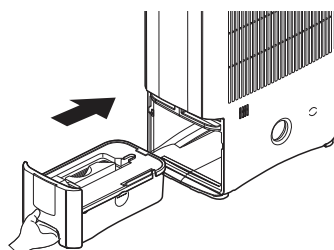
Lift by the handle

Remove the cover

Pour the water out



Restore the cover and the handle



Restore the bucket

NOTE :

- Clean the bucket with clean water if needed. Do not use solvent, abrasive or hot water.
- Do not remove or damage the float in the bucket, or the unit cannot work correctly.
- The bucket cover must be well fitted in position.
- The "FULL" Led lights if the bucket is not well in place.

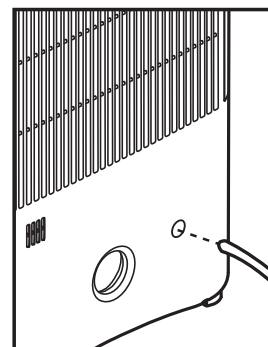
TO DRAIN WATER

You may use a hose with an inner diameter of 12mm for continuous drainage:

1. Use a screwdriver to remove the knockout at the back. Attach the tubing to the connector through the hole.
2. The tubing should be lead to the drain with no sharp bends.

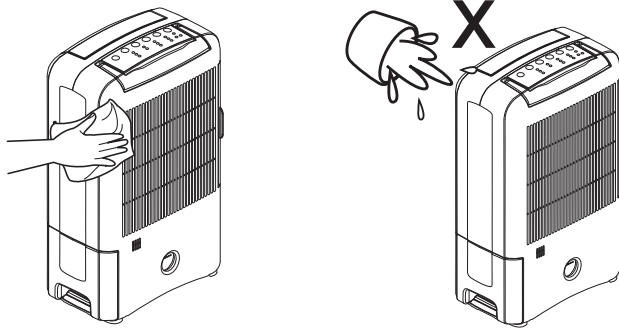
Note:

1. The bucket must be in the correct position before tubing.
2. Remove the tubing before pulling out the bucket.



Cleaning the unit

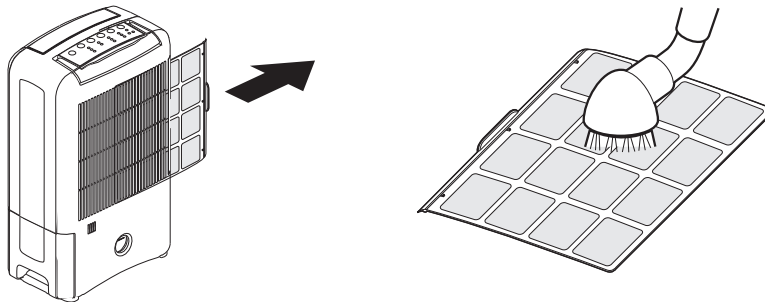
1. Turn off the unit, wait for the fan to stop and unplug from the power socket.
2. Clean the surface with a soft damp cloth.
3. Dry thoroughly with a towel after cleaning.
4. In order to avoid damage, do not wash the machine with water, or let water drip into the air inlet or outlet.



Cleaning the filter

If the filter is covered with dust, the airflow and the performance of the unit will be affected. It is recommended to check and clean the air filter every 30 days.

1. Turn off the unit and remove the filter from the unit.
2. Clean the nano-silver filter only with a vacuum cleaner.
(Washing will weaken the germicidal effect of the filter)
3. Replace the filter in position.



Before storing

1. Turn off the unit, wait for it to stop and unplug from the power socket.
2. Clean and dry the bucket. Leave the unit to drain for approximately one day.
3. Clean the filter and the unit. Cover the unit to prevent it from gathering dust. Store upright in a cool dry place.
4. Do not expose to direct sunlight.

The following conditions are normal:

1. The fan is still running about 2 minutes after turning the unit off.
2. The unit works within room temperature about 34°F ~104°F. It may stop operation out of this range or when the air inlet or outlet is covered. (The "CHECK" LED light will illuminate)
3. The unit includes heater function that could increase the room temperature.

If your Dehumidifier stops working or "CHECK" LED illuminates, please check the following items first.

When the unit fails to run:

- ➔ Is power cord unplugged or the power off?
- ➔ Is "FULL" light on? Is the bucket in the correct position?
Check and replace the bucket.

When the performance seems poor:

- ➔ Is there a door or window open?
- ➔ Is steam being generated in the room?
- ➔ Is the room too big?
- ➔ Is the filter dirty? Clean it. Refer to the filter cleaning instructions.
- ➔ Is the inlet or the outlet covered?

When noise occurs:

- ➔ Is the unit on a horizontal surface? Move and reset the unit.
- ➔ Is the air filter dirty? Clean the filter.

NOTE:

1. If the "CHECK" LED illuminates, turn off the unit, unplug from the power socket, check and clean the filter. If it is dirty, remove any obstacle that covers the air inlet or outlet, and wait for at least ten minutes before plugging in and switching back on.
2. Please contact Eva-Dry if problem continues.
Do not try to repair it by yourself, as this could cause an electrical shock and void your warranty.

SPECIFICATIONS

Model: EDV-4000

Operating Temperature Range: 34°F - 104°F

Dehumidification: 7 Liters / day

Water tank capacity: 2 Liters

Power: High 615W, Low 330W

Voltage: 120V ~ 60Hz

N.W: 13.5lbs

G.W: 15.5lbs

Product size: 18"H x 11.5"W x 7"D

Register online @ www.eva-dry.com

ONE YEAR LIMITED WARRANTY

EDV-4000 Dehumidifier/Dryer

Eva -dry Dehumidifiers guarantees the EDV-4000 Dehumidifier/ Dryer free from defects in materials and workmanship for a period of One year from the date of purchase. Coverage is valid only with proof of purchase.

The EDV-4000 Dehumidifier/Dryer unit must be operated under conditions as recommended in Operation Manuel, at voltage indicated on the unit. Any attempts made to service or modify the unit, will render this WARRANTY NULL and VOID.

For further information, please contact eva-dry's service department.

(877)382-3790

Eva-dry Dehumidifiers

12157 West Linebaugh Avenue

#152, Tampa, FL 33626 USA