



COMMERCIAL



Cool

DEHUMIDIFIER

Use & Care Guide

For questions about features, operation/performance, parts or service, call: 1-877-337-3639

DESHUMIDIFICADOR

Manual de uso y cuidado

Si tiene preguntas respecto a las características, funcionamiento, rendimiento, partes o servicio técnico, llame al: 1-877-337-3639

DÉSHUMIDIFICATEUR

Guide d'utilisation et d'entretien

Au Canada, pour assistance, installation ou service, composez le : 1-877-337-3639

Table of Contents/ndice/Table des matires 2

Models/Modelos/Modèles: CJ30M, CJ35M, CJ50E, CJ70E

TABLE OF CONTENTS

DEHUMIDIFIER SAFETY	2	DEHUMIDIFIER CARE	8
INSTALLATION REQUIREMENTS	3	Cleaning the Air Filter	8
Electrical Requirements	3	Cleaning the Dehumidifier	8
Location Requirements	3	TROUBLESHOOTING	9
Caster Installation.....	4	ASSISTANCE OR SERVICE	10
DEHUMIDIFIER USE	4	In the U.S.A.	10
Setting the Controls	4	In Canada	10
Draining the Dehumidifier.....	6	WARRANTY	11
Normal Sounds	7		

ÍNDICE

SEGURIDAD DEL DESHUMIDIFICADOR	12	Sonidos normales.....	17
REQUISITOS DE INSTALACIÓN	13	CUIDADO DEL DESHUMIDIFICADOR	18
Requisitos eléctricos	13	Limpieza del filtro de aire	18
Requisitos de ubicación.....	13	Limpieza del deshumidificador	18
Instalación de las ruedecillas	13	SOLUCIÓN DE PROBLEMAS	19
CÓMO USAR EL DESHUMIDIFICADOR	14	AYUDA O SERVICIO TÉCNICO	20
Ajuste de los controles.....	14	En los EE.UU.	20
Cómo desaguar el deshumidificador.....	16	GARANTÍA	21

TABLE DES MATIÈRES

SÉCURITÉ DU DÉSHUMIDIFICATEUR	22	ENTRETIEN DU DÉSHUMIDIFICATEUR	28
SPÉCIFICATIONS D'INSTALLATION	23	Nettoyage du filtre à air	28
Spécifications électriques	23	Nettoyage du déshumidificateur	28
Exigences d'emplacement.....	23	DÉPANNAGE	29
Installation des roulettes	23	ASSISTANCE OU SERVICE	30
UTILISATION DU DÉSHUMIDIFICATEUR	24	Aux États-Unis.....	30
Réglage des commandes	24	Au Canada.....	30
Vidange du déshumidificateur	26	GARANTIE	31
Sons normaux	27		

DEHUMIDIFIER SAFETY

Your safety and the safety of others are very important.

We have provided many important safety messages in this manual and on your appliance. Always read and obey all safety messages.



This is the safety alert symbol.

This symbol alerts you to potential hazards that can kill or hurt you and others.

All safety messages will follow the safety alert symbol and either the word "DANGER" or "WARNING."

These words mean:

⚠ DANGER

You can be killed or seriously injured if you don't immediately follow instructions.

⚠ WARNING

You can be killed or seriously injured if you don't follow instructions.

All safety messages will tell you what the potential hazard is, tell you how to reduce the chance of injury, and tell you what can happen if the instructions are not followed.

IMPORTANT SAFETY INSTRUCTIONS

WARNING: To reduce the risk of fire, electrical shock, injury or sickness when using your dehumidifier, follow these basic precautions:


- Plug into a grounded 3 prong outlet.
- Do not remove ground prong.
- Do not use an adapter.
- Do not use an extension cord.
- Unplug dehumidifier before servicing.
- Do not drink water collected in the water bucket.

SAVE THESE INSTRUCTIONS

INSTALLATION REQUIREMENTS

Electrical Requirements

⚠ WARNING



Electrical Shock Hazard

Plug into a grounded 3 prong outlet.

Do not remove ground prong.

Do not use an adapter.

Do not use an extension cord.

Failure to follow these instructions can result in death, fire, or electrical shock.

Specific electrical requirements are listed in the chart below. Follow the requirements for the type of plug on the power supply cord.

Power Supply Cord

Wiring Requirements



- 115 volt (103.5 min. to 126.5 max.)
- 15-amp time-delay fuse or circuit breaker

Recommended Grounding Method

This dehumidifier must be grounded. This dehumidifier is equipped with a power supply cord having a 3 prong grounding plug. The cord must be plugged into a mating, grounded 3 prong outlet, grounded in accordance with all local codes and ordinances. If a mating outlet is not available, it is the customer's responsibility to have a properly grounded 3 prong outlet installed by a qualified electrical installer.

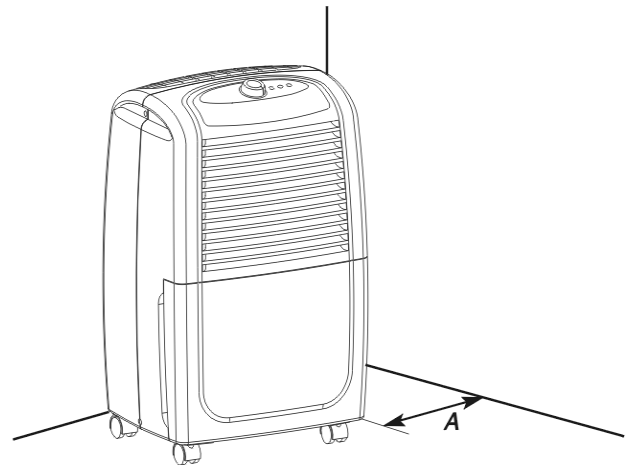
It is the customer's responsibility:

- To contact a qualified electrical installer.
- To assure that the electrical installation is adequate and in conformance with National Electrical Code, ANSI/NFPA 70—latest edition, and all local codes and ordinances.

Copies of the standards listed may be obtained from:

National Fire Protection Association
1 Batterymarch Park
Quincy, MA 02169

Location Requirements



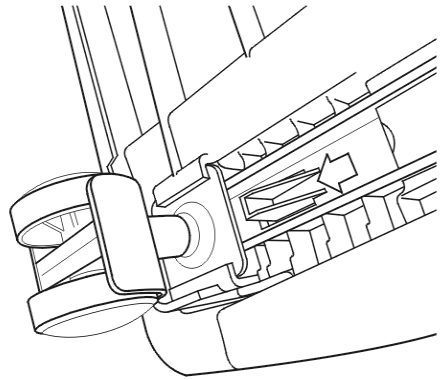
A. Allow at least 8" (20 cm) of airspace.

- You will need a level surface strong enough to support the dehumidifier when its bucket is full of water.
- Keep all outside doors, windows and other openings closed when you are operating dehumidifier. Humid outdoor air will increase dehumidifier workload.
- Install dehumidifier in an area where the temperature will not fall below 41°F (5°C). Lower temperatures will cause your performance to drop.
- Do not block the louvers on the front panel.

Caster Installation (On some models)

Caster installation is recommended to avoid damage to floors.

1. Remove the casters from the bucket of the dehumidifier.
2. Position the dehumidifier on its side.
3. Locate the arrow on the bottom of the dehumidifier and insert the caster according to the arrow direction.
4. Slide the caster in as far as it will go. The caster will snap into place.



5. Repeat steps 1 to 4 for the other 3 casters.

DEHUMIDIFIER USE

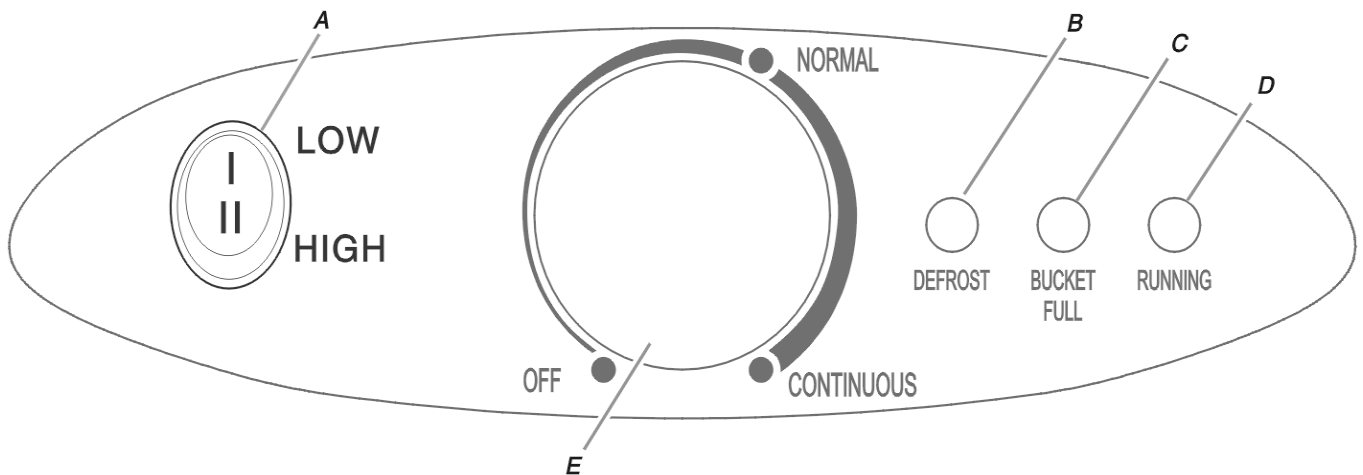
Setting the Controls

Starting/Stopping the Dehumidifier

NOTE: Before turning on the dehumidifier, be sure that the bucket is empty and fits all the way into the dehumidifier.

Control Panel (Models CJ30M,CJ35M)

NOTE: Minimum operating temperature is 41°F (5°C).



- A. Fan speed control
- B. Defrost indicator light
- C. Bucket Full indicator light

- D. Running indicator light
- E. Mode control knob

⚠ WARNING



Electrical Shock Hazard

Plug into a grounded 3 prong outlet.

Do not remove ground prong.

Do not use an adapter.

Do not use an extension cord.

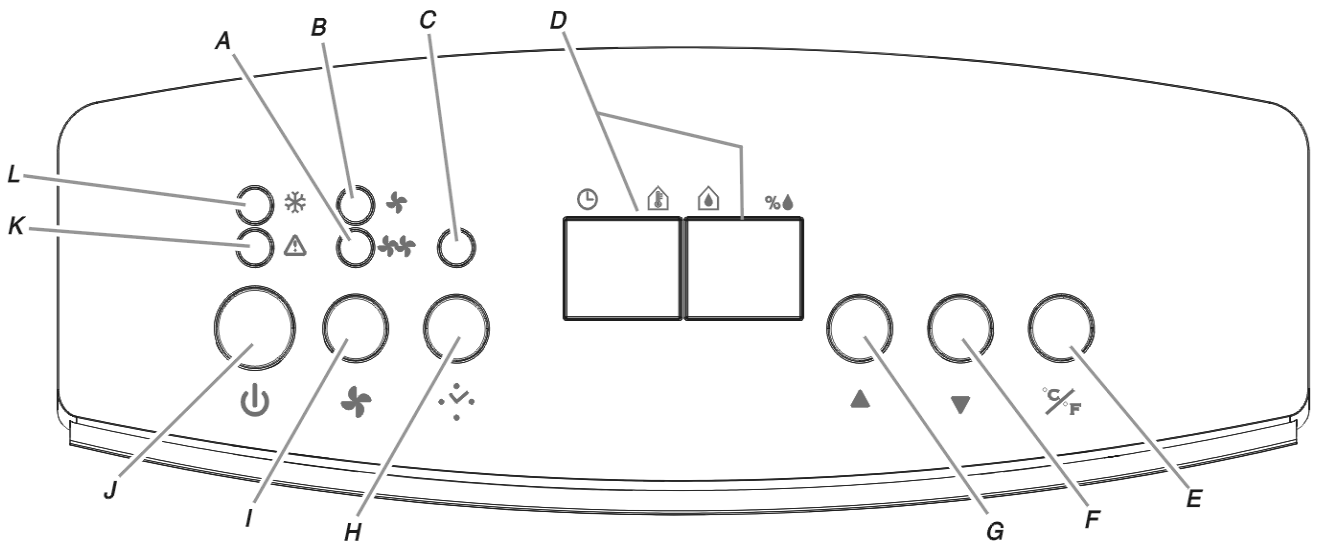
Failure to follow these instructions can result in death, fire, or electrical shock.

1. Plug into a grounded 3 prong outlet.
2. Turn the Mode control knob clockwise.

IMPORTANT: If the Bucket Full indicator light comes on, the dehumidifier will not operate. Empty or adjust the bucket.

Control Panel (Models CJ50E, CJ70E)

NOTE: Minimum operating temperature is 41°F (5°C).



A. High fan speed indicator light

B. Low fan speed indicator light

C. Timer indicator light

D. Timer/temperature and humidity level display

E. °C/°F selector pad

F. Down arrow pad

G. Up arrow pad

H. Timer pad

I. Fan speed pad

J. Power on/off pad

K. Check bucket indicator light

L. Defrost indicator light

3. To turn off the dehumidifier, turn the Mode control knob counterclockwise to OFF.

Bucket Full Indicator Light

If this light is on, the dehumidifier is not running. This light indicates that you need to check on the following situations:

- If the bucket is full, empty and reinstall bucket.
- If the bucket is not in the correct position, remove the bucket and reinstall. Check that the bucket fits all the way into the dehumidifier and the light is off, or the dehumidifier will not run.

Fan Speed

Press the Fan Speed control to choose High or Low.

- High—for faster moisture removal
- Low—for quieter moisture removal

Humidity Level

To set the humidity level, turn the Mode control knob clockwise to increase the humidity setting and counterclockwise to decrease the humidity setting.

⚠ WARNING**Electrical Shock Hazard**

Plug into a grounded 3 prong outlet.

Do not remove ground prong.

Do not use an adapter.

Do not use an extension cord.

Failure to follow these instructions can result in death, fire, or electrical shock.

1. Plug into a grounded 3 prong outlet.
2. Press the Power on/off pad to turn on the dehumidifier.
IMPORTANT: If the Bucket Full indicator light comes on, the dehumidifier will not operate. Empty or adjust the bucket.
3. To turn off the dehumidifier, press the Power on/off pad.

Bucket Full Indicator Light

If this light is on, the dehumidifier is not running. This light indicates that you need to check on the following situations:

- If the bucket is full, empty and reinstall bucket.
- If the bucket is not in the correct position, remove the bucket and reinstall. Check that the bucket fits all the way into the dehumidifier and the light is off, or the dehumidifier will not run.

Fan Speed

The Fan Speed controls fan operation.

- High—for faster moisture removal
- Low—for quieter moisture removal

Timer/Temperature and Humidity Level Display

- The Timer/Temperature display will show the current room temperature while the dehumidifier is operating.
- The Timer/Temperature display will show the Timer setting for 10 seconds. Then the display will show the current room temperature.
- The Humidity Level display will show the set humidity level for 10 seconds. Then the display will show the current room humidity level.

Humidity Level

To set the humidity level, press the up arrow or down arrow pad to select the desired setting.

NOTES:

- The humidity level may be set between 30% and 90%.
- The deicer will turn off the compressor if a low temperature condition exists. Pressing the up arrow or down arrow pad will not increase or decrease the amount of moisture removed. When the deicer senses the correct operating temperature, the compressor will cycle back on.
- After 10 seconds, the Humidity Level display will show the current room humidity level.

Timer**Turn Off Dehumidifier Automatically**

1. Turn on the dehumidifier.
2. Press the Timer pad.
3. Press the up arrow or down arrow pad to set the time to turn off the dehumidifier.

NOTE: After 10 seconds, the Timer/Temperature display will show the current room temperature.

Turn On Dehumidifier Automatically

1. Turn off the dehumidifier.
2. Press the Timer pad.
3. Press the up arrow or down arrow pad to set the time to turn on the dehumidifier.

NOTE: After 10 seconds, the Timer/Temperature display will show the current room temperature.

°C/°F Selector

Press this selector pad to switch between °C and °F.

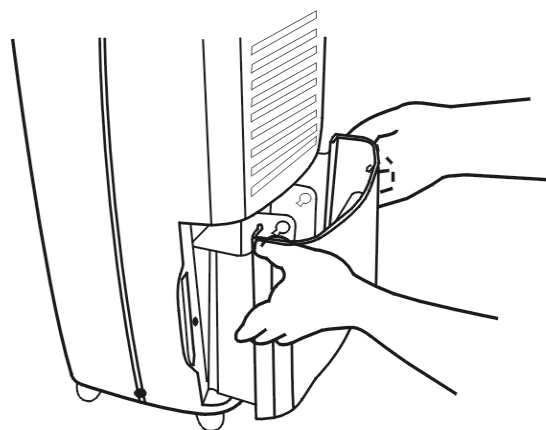
Draining the Dehumidifier**⚠ WARNING****Sickness Hazard**

**Do not drink water collected in water bucket.
Doing so can result in sickness.**

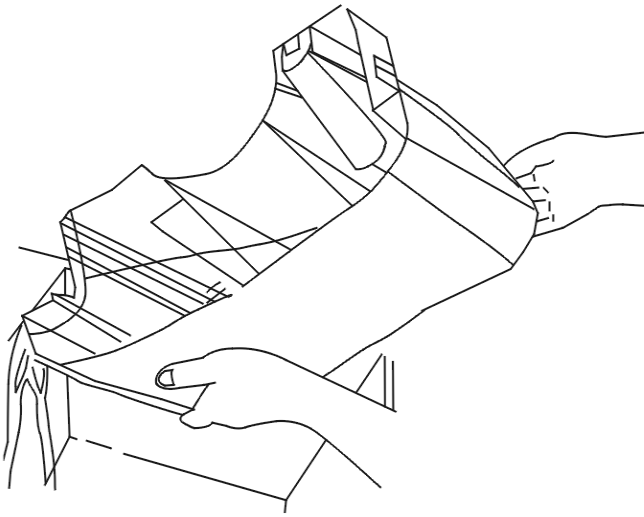
Option 1—Remove Bucket

If a floor drain is not available, or you do not plan to drain your dehumidifier continuously, you may want to simply empty the bucket.

1. Use the side handles to remove the bucket.



2. Pour the water through the opening into a sink or tub.



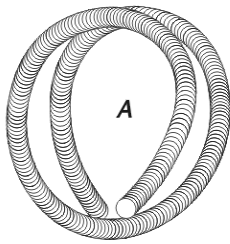
3. Reinstall the bucket.

IMPORTANT: If the Bucket Full indicator light comes on, the dehumidifier will not operate. Empty or adjust the bucket.

Option 2—Connect Drain Hose

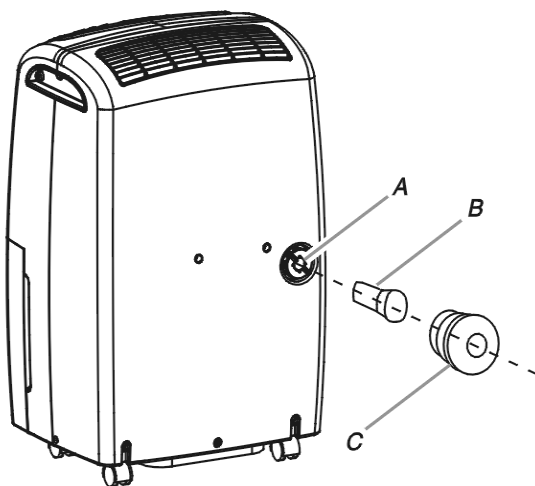
If you plan to run your dehumidifier continuously, and have a drain close by, you may want to attach the drain hose (provided) to the drain hose connector on the back of the dehumidifier.

1. Remove the drain hose from the dehumidifier bucket.



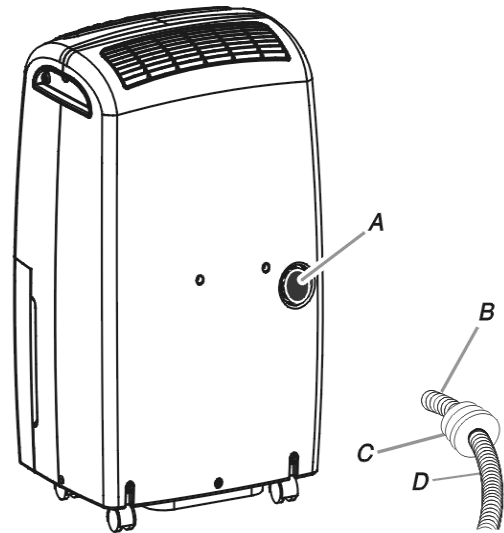
A. Drain hose (3 ft [91.4 cm] length)

2. Remove the drain cap and rubber drain plug. Store the rubber drain plug in the dehumidifier bucket for later use.



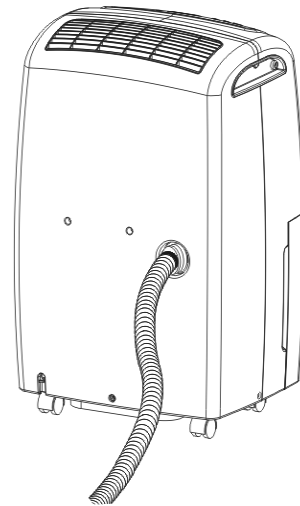
A. Drain port
B. Rubber drain plug
C. Drain cap

3. Insert the drain hose through the hole in the drain cap.
4. Check that the rubber seal ring is seated correctly in the end of the drain hose.



A. Drain port
B. Rubber seal ring inside drain hose
C. Drain cap
D. Drain hose

5. Insert the drain hose into the drain port. Turn the drain cap clockwise to tighten.



6. Place the other end of drain hose into a floor drain. Check that the drain hose lies flat and is in the drain.

Normal Sounds

When your dehumidifier is operating normally, you may hear sounds such as:

- Compressor sounds, which may be loud. This is normal.
- Clicking sounds when the dehumidifier or compressor turns off and on, and when the Automatic Shutoff Switch is working.
- Air movement from the fan.

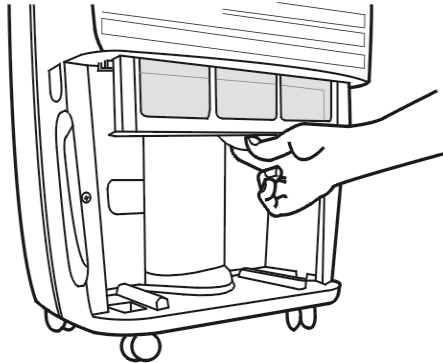
DEHUMIDIFIER CARE

Your new dehumidifier is designed to give you many years of dependable service. This section tells you how to clean and care for your dehumidifier. Call your local authorized dealer for an annual cleaning of the dehumidifier. Remember...the cost of this service call is your responsibility.

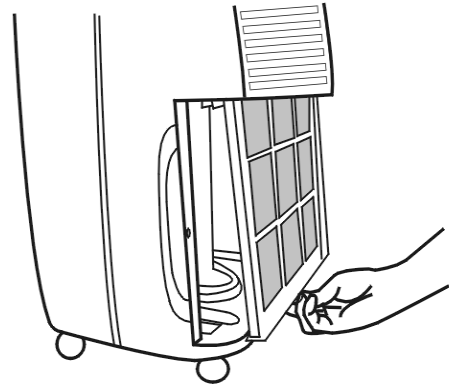
Cleaning the Air Filter

The air filter is removable for easy cleaning. A clean filter helps remove dust, lint, and other particles from the air and is important for best operating efficiency. Check the filter every 2 weeks to see whether it needs cleaning.

1. Turn off the dehumidifier.
2. Remove the bucket.
3. Pull the air filter down from below the front louvers.



4. Pull the bottom edge of the air filter away from the dehum



5. Use a vacuum cleaner to clean air filter. If air filter is very dirty, wash it in warm water with a mild detergent. Do not wash air filter in the dishwasher or use any chemical cleaners. Air dry filter completely before replacing to ensure maximum efficiency.
6. Slide the air filter up into the dehumidifier.
7. Reinstall the bucket.
8. Turn on the dehumidifier.

Cleaning the Dehumidifier

Exterior

NOTE: Have an authorized service technician clean and service the interior coils of your product annually.

1. Turn off the dehumidifier.
2. Dust the front grille and side panels with a soft brush or the dusting attachment of your vacuum cleaner.

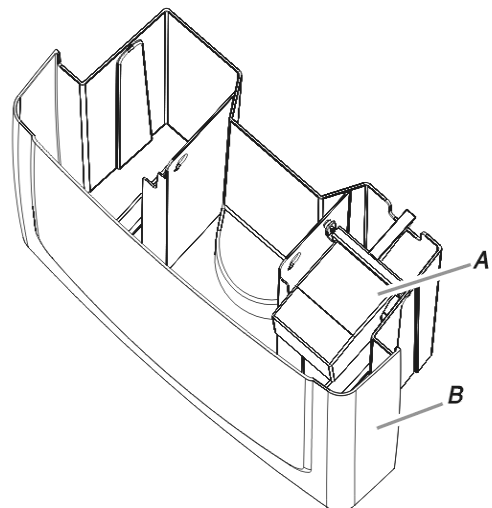
Water Bucket

Every few weeks, rinse the inside of the water bucket with a mild detergent to avoid growth of mold, mildew and bacteria.

Water Level Float

The dehumidifier has an Empty Bucket light and a water level float. The bucket must be properly aligned for the water level float and Empty Bucket light to work.

NOTE: Be sure the float is snapped in place.



A. Water level float
B. Bucket


TROUBLESHOOTING

Before calling for service, try the suggestions below to see whether you can solve your problem without outside help.

Dehumidifier will not run

- **Is the dehumidifier turned on?** Turn on the dehumidifier.

⚠ WARNING



Electrical Shock Hazard

Plug into a grounded 3 prong outlet.

Do not remove ground prong.

Do not use an adapter.

Do not use an extension cord.

Failure to follow these instructions can result in death fire, or electrical shock.

- **Is the power cord plugged into a grounded 3 prong outlet?** Plug into a grounded 3 prong outlet. See Electrical Requirements.
- **Has a household fuse blown, or has a circuit breaker tripped?** Replace the fuse or reset the circuit breaker. If the

problem continues, call an electrician. See “Electrical Requirements.”

- **Is the bucket installed properly?** Reinstall the bucket so that it fits all the way into the dehumidifier.
- **Does the bucket need to be emptied?** Empty the bucket.
- **Is the water level float in place?** Remove the bucket. Check that the float is snapped into place. Reinstall the bucket.

Ice forms on coils

- **An automatic deicer will turn off the compressor and allow the fan to run.** This reduces the ice buildup on the coils. The compressor will cycle back on when the deicer senses the correct operating temperature.

Dehumidifier runs but does not dehumidify

- **An automatic deicer will turn off the compressor and allow the fan to run.** This reduces the ice buildup on the coils. The compressor will cycle back on when the deicer senses the correct operating temperature.
- **The filter (on some models) is dirty or obstructed by debris.** Clean the filter.

Air coming from dehumidifier is warm

- **Dehumidifier will put out warm air under normal operating conditions.**

ASSISTANCE OR SERVICE

Before calling for assistance or service, please check "Troubleshooting." It may save you the cost of a service call. If you still need help, follow the instructions below.

When calling, please know the purchase date and the complete model and serial number of your appliance. This information will help us to better respond to your request.

If you need replacement parts

If you need to order replacement parts, we recommend that you use only factory-specified replacement parts. Factory-specified replacement parts will fit right and work right because they are made with the same precision used to build every new appliance.

To locate factory-specified replacement parts in your area, call your nearest designated service center.

Please record your model's information.

Whenever you call to request service on your appliance, you need to know your complete model number and serial number.

You can find this information on the model and serial number label. The model and serial number label is located on the cabinet.

Please record the model and serial number information below. Also, record the purchase date of your appliance and the store's name, address, and telephone number.

Model Number _____

Serial Number _____

Purchase Date _____

Store Name _____

Store Address _____

Store Phone _____

Keep this book and the sales slip together for future reference.

In the U.S.A.

Call Haier America toll free: 1-877-337-3639.

Our consultants provide assistance with:

- Features and specifications on our appliances.
- Installation information.
- Use and maintenance procedures.
- Repair parts sales.
- Referrals to repair parts distributors, and service companies. Manufacturer-authorized service technicians are trained to fulfill the product warranty and provide after-warranty service, anywhere in the United States.

For Further Assistance

If you need further assistance, you can write with any questions or concerns to:

Haier America
1356 Broadway
New York, NY 10018

Please include a daytime phone number in your correspondence.

In Canada

Call Haier America toll free: 1-877-337-3639.

Our consultants provide assistance with:

- Features and specifications on our appliances.
- Use and maintenance procedures.
- Repair parts sales.
- Referrals to repair parts distributors, and service companies. Manufacturer-authorized service technicians are trained to fulfill the product warranty and provide after-warranty service, anywhere in Canada.

For Further Assistance

If you need further assistance, you can write with any questions or concerns to:

Haier America
1356 Broadway
New York, NY 10018
U.S.A.

Please include a daytime phone number in your correspondence.

Limited Warranty

This warranty covers all defects in workmanship or materials for:

1. The mechanical and electrical parts (including labor costs) contained in this product for a period of 12 months, from the date of purchase (commercial or rental application, the warranty is 90 days).
2. The sealed system and compressor contained in this product is for a period of 5 years, from the date of purchase (excluding labor costs after the initial 12 month period). In commercial or rental use, the additional limited compressor warranty is for 1 year and 9 months (excluding labor costs after the initial 90 days period).

You must keep and be able to provide your original sales receipt as proof of the date of purchase.

Who is covered?

The original retail purchaser of this product.

What will be done?

Haier America will repair or replace in your home, any mechanical, electrical part or the compressor, which proves defective in normal household use for a period of 12 months. Haier America will repair or replace (excluding labor costs) the sealed system and compressor (parts only) for an additional 4 year period.

How can you get service?

1. Contact your nearest Haier America Authorized Service Depot. For the name of the Service Depot nearest you, contact Haier America at (877) 337-3639.
2. All service must be performed by an authorized Haier America Service Depot.

THIS WARRANTY COVERS UNITS WITHIN THE CONTINENTAL UNITED STATES, CANADA AND PUERTO RICO AND DOES NOT COVER:

- Damages from improper installation.
- Damages in shipping.
- Damages from misuse, abuse, accident, alteration, lack of proper care and maintenance.
- Damages from service, by other than an authorized dealer or service center.
- Labor, service, transportation and shipping charges for the removal of defective parts and installation of a replacement part, beyond the initial 12 month period.

THIS LIMITED WARRANTY IS GIVEN IN LIEU OF ALL OTHER WARRANTIES, EXPRESS OR IMPLIED, INCLUDING THE WARRANTIES OF MERCHANTABILITY AND FITNESS FOR A PARTICULAR PURPOSE.

The remedy provided in this warranty is exclusive and is granted in lieu of all other remedies. This warranty does not cover incidental or consequential damages. Some states do not allow the exclusion of incidental or consequential damages, so this limitation may not apply to you. Some states do not allow limitations on how long an implied warranty lasts, so this limitation may not apply to you. This warranty gives you specific legal rights, and you may also have other rights, which vary from state to state.

SEGURIDAD DEL DESHUMIDIFICADOR

Su seguridad y la seguridad de los demás es muy importante.

Hemos incluido muchos mensajes importantes de seguridad en este manual y en su electrodoméstico. Lea y obedezca siempre todos los mensajes de seguridad.



Este es el símbolo de advertencia de seguridad.

Este símbolo le llama la atención sobre peligros potenciales que pueden ocasionar la muerte o una lesión a usted y a los demás.

Todos los mensajes de seguridad irán a continuación del símbolo de advertencia de seguridad y de la palabra "PELIGRO" o "ADVERTENCIA". Estas palabras significan:

⚠ PELIGRO

Si no sigue las instrucciones de inmediato, usted puede morir o sufrir una lesión grave.

⚠ ADVERTENCIA

Si no sigue las instrucciones, usted puede morir o sufrir una lesión grave.

Todos los mensajes de seguridad le dirán el peligro potencial, le dirán cómo reducir las posibilidades de sufrir una lesión y lo que puede suceder si no se siguen las instrucciones.

INSTRUCCIONES IMPORTANTES DE SEGURIDAD

ADVERTENCIA: Para reducir el riesgo de incendio, choque eléctrico, lesiones personales o enfermedad al usar su deshumidificador, siga estas precauciones básicas:

- Conecte a un contacto de pared de conexión a tierra de 3 terminales.
- No quite el terminal de conexión a tierra.
- No use un adaptador.
- No use un cable eléctrico de extensión.
- Desconecte el deshumidificador antes de darle servicio.
- No beba el agua acumulada en el balde de agua.

CONSERVE ESTAS INSTRUCCIONES

REQUISITOS DE INSTALACIÓN

Requisitos eléctricos

⚠ ADVERTENCIA



Peligro de Choque Eléctrico

Conecte a un contacto de pared de conexión a tierra de 3 terminales.

No quite la terminal de conexión a tierra.

No use un adaptador.

No use un cable eléctrico de extensión.

No seguir estas instrucciones puede ocasionar la muerte, incendio o choque eléctrico.

Los requisitos eléctricos específicos se indican en la tabla a continuación. Siga los requisitos para el tipo de enchufe en el cable de alimentación eléctrica.

Cable eléctrico

Requisitos de cableado



- 115 voltios (103,5 mín. a 126,5 máx.)
- Fusible de retardo de 15 amperios o cortacircuitos

Método recomendado para la puesta a tierra

Este deshumidificador debe ser puesto a tierra. Este deshumidificador está equipado con un cable de suministro de energía provisto de un enchufe con tres terminales con conexión a tierra. El cable debe ser enchufado en un contacto apropiado de pared de tres terminales conectado a tierra de acuerdo con todos los códigos y reglamentos locales. Si no se dispone de un tomacorriente apropiado, es responsabilidad del cliente hacer instalar un contacto con tres terminales debidamente puesto a tierra por un instalador eléctrico calificado.

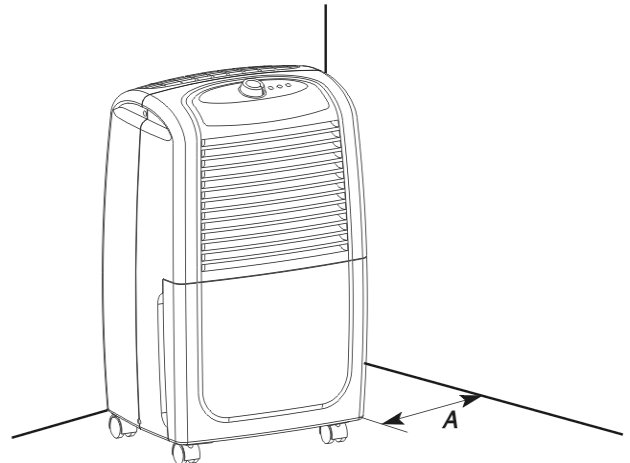
Es responsabilidad del cliente:

- Llamar a un instalador eléctrico calificado.
- Asegurarse de que la instalación eléctrica sea adecuada y esté hecha de acuerdo con el Código Nacional Eléctrico (National Electrical Code), ANSI/NFPA 70, última edición, y todos los códigos y reglamentos locales.

Pueden obtenerse copias de las normas señaladas en:

National Fire Protection Association
1 Batterymarch Park
Quincy, MA 02169

Requisitos de ubicación



A. Deje por lo menos 8" (20 cm) de espacio para el aire

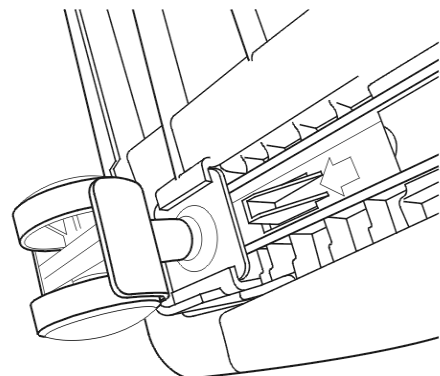
- Necesitará contar con una superficie nivelada lo suficientemente fuerte como para soportar el deshumidificador con el balde lleno de agua.
- Cuando esté usando el deshumidificador, mantenga cerradas todas las puertas y ventanas que dan al exterior, y otras aberturas. El aire húmedo del exterior aumentará la carga de trabajo del deshumidificador.
- Instale el deshumidificador en un lugar donde la temperatura no bajará más de 41°F (5°C). Las temperaturas más bajas causarán que el funcionamiento disminuya.
- No bloquee las rejillas que están en el panel delantero.

Instalación de las ruedecillas

(En algunos modelos)

Se recomienda la instalación de las ruedecillas para evitar daños a los pisos.

1. Quite las ruedecillas del balde del deshumidificador.
2. Coloque el deshumidificador de costado.
3. Ubique la flecha en la base del deshumidificador e inserte la ruedecilla según la dirección de la flecha.
4. Deslice la ruedecilla hacia dentro hasta donde sea posible. La ruedecilla encajará en su lugar.



5. Repita los pasos 1 a 4 para las otras 3 ruedecillas.

CÓMO USAR EL DESHUMIDIFICADOR

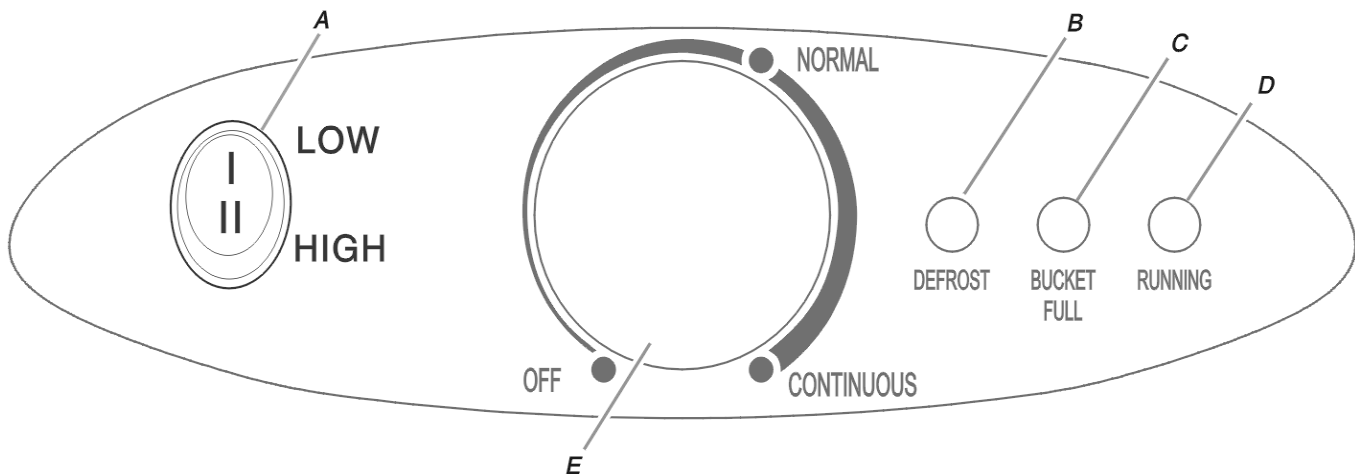
Ajuste de los controles

Cómo poner en marcha/detener el deshumidificador

NOTA: Antes de encender el deshumidificador, asegúrese de que el balde esté vacío y que encaje por completo en el deshumidificador.

Panel de control (CJ30M, CJ35M)

NOTA: La temperatura mínima de funcionamiento es de 41°F (5°C).



- A. Control de velocidad del ventilador
- B. Luz indicadora de Defrost (Descongelación)
- C. Luz indicadora de Bucket Full (Balde lleno)

- D. Luz indicadora de Running (Funcionamiento)
- E. Perilla de control de modo

⚠ ADVERTENCIA



Peligro de Choque Eléctrico

Conecte a un contacto de pared de conexión a tierra de 3 terminales.

No quite la terminal de conexión a tierra.

No use un adaptador.

No use un cable eléctrico de extensión.

No seguir estas instrucciones puede ocasionar la muerte, incendio o choque eléctrico.

1. Conecte a un contacto de pared de conexión a tierra de 3 terminales.
2. Gire la perilla de control de modo en el sentido de las manecillas del reloj.
IMPORTANTE: Si la luz indicadora de Bucket Full (Balde lleno) se enciende, el deshumidificador no funcionará. Vacíe o coloque bien el balde.

3. Para apagar el deshumidificador, gire la perilla de control de modo en dirección contraria a las manecillas del reloj, hacia OFF (Apagado).

Luz indicadora de Bucket Full (Balde lleno)

Si esta luz está encendida, el deshumidificador no se encuentra funcionando. Esta luz indica que necesita revisar lo siguiente:

- Si el balde está lleno, vacíelo y vuelva a colocarlo.
- Si el balde no está en la posición correcta, sáquelo y vuelva a colocarlo. Verifique de que el balde esté completamente dentro del deshumidificador y de que la luz esté apagada, de lo contrario el deshumidificador no funcionará.

Velocidad del ventilador

Oprima el control de velocidad del ventilador para elegir High (Alta) o Low (Baja).

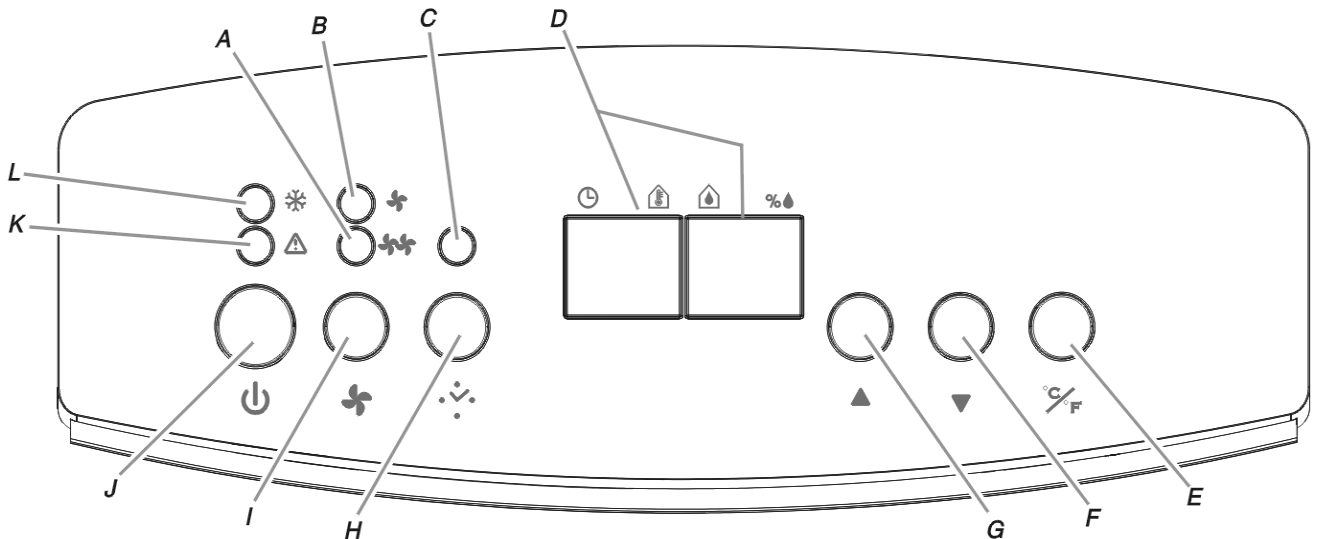
- High (Alta)—para eliminar la humedad rápidamente
- Low (Baja)—para eliminar la humedad más silenciosamente

Nivel de humedad

Para fijar el nivel de humedad, gire la perilla de control de modo hacia la derecha para aumentar el ajuste de humedad y hacia la izquierda para bajarlo.

Panel de control (Modelo CJ50E,CJ70E)

NOTA: La temperatura mínima de funcionamiento es de 41°F (5°C).



A. Luz indicadora de alta velocidad del ventilador
 B. Luz indicadora de baja velocidad del ventilador
 C. Luz indicadora de temporizador
 D. Pantalla de temporizador/temperatura y nivel de humedad

E. Botón selector de °C/°F
 F. Botón con flecha hacia abajo
 G. Botón con flecha hacia arriba
 H. Botón de temporizador

I. Botón de velocidad del ventilador
 J. Botón de encendido/apagado
 K. Luz indicadora de revisar el balde
 L. Luz indicadora de descongelación

⚠ ADVERTENCIA



Peligro de Choque Eléctrico

Conecte a un contacto de pared de conexión a tierra de 3 terminales.

No quite la terminal de conexión a tierra.

No use un adaptador.

No use un cable eléctrico de extensión.

No seguir estas instrucciones puede ocasionar la muerte, incendio o choque eléctrico.

1. Conecte a un contacto de pared de conexión a tierra de 3 terminales.
2. Presione el botón de encendido/apagado para encender el deshumidificador.
IMPORTANTE: Si la luz indicadora de Bucket Full (Balde lleno) se enciende, el deshumidificador no funcionará. Vacíe o coloque bien el balde.
3. Para apagar el deshumidificador, presione el botón de encendido/apagado.

Luz indicadora de Bucket Full (Balde lleno)

Si esta luz está encendida, el deshumidificador no se encuentra funcionando. Esta luz indica que necesita revisar lo siguiente:

- Si el balde está lleno, vacíelo y vuelva a colocarlo.

- Si el balde no está en la posición correcta, sáquelo y vuelva a colocarlo. Verifique de que el balde esté completamente dentro del deshumidificador y de que la luz esté apagada, de lo contrario el deshumidificador no funcionará.

Velocidad del ventilador

El control de velocidad del ventilador controla el funcionamiento del ventilador.

- High (Alta)—para eliminar la humedad rápidamente
- Low (Baja)—para eliminar la humedad más silenciosamente

Pantalla de temporizador/temperatura y nivel de humedad

- La pantalla de temporizador/temperatura mostrará la temperatura actual de la habitación, al mismo tiempo que el deshumidificador está funcionando.
- La pantalla de temporizador/temperatura mostrará el ajuste del temporizador por 10 segundos. Luego mostrará la temperatura actual de la habitación.
- La pantalla de nivel de humedad mostrará el nivel de humedad fijado por 10 segundos. Luego mostrará el nivel de humedad actual de la habitación.

Nivel de humedad

Para fijar el nivel de humedad, presione el botón con la flecha hacia arriba o hacia abajo y así seleccionar el ajuste deseado.

NOTAS:

- El nivel de humedad se puede fijar entre 30 % y 90%.
- El deshelador apagará el compresor si existe un estado de baja temperatura. Si presiona el botón con la flecha hacia arriba o hacia abajo, la cantidad de humedad quitada no aumentará ni disminuirá. Cuando el deshelador detecte la temperatura correcta de funcionamiento, el compresor reanudará su ciclo.
- Después de 10 segundos, la pantalla del nivel de humedad mostrará el nivel de humedad actual de la habitación.

Temporizador

Cómo apagar el deshumidificador automáticamente

1. Encienda el deshumidificador.
2. Presione el botón del temporizador.
3. Presione el botón con la flecha hacia arriba o hacia abajo para fijar la hora en la que se deberá apagar el deshumidificador.

NOTA: Después de 10 segundos, la pantalla del temporizador/temperatura mostrará la temperatura actual de la habitación.

Cómo encender el deshumidificador automáticamente

1. Apague el deshumidificador.
2. Presione el botón del temporizador.
3. Presione el botón con la flecha hacia arriba o hacia abajo para fijar la hora en la que se deberá encender el deshumidificador.

NOTA: Después de 10 segundos, la pantalla del temporizador/temperatura mostrará la temperatura actual de la habitación.

Selector de °C/°F

Presione este botón selector para cambiar de °C a °F y viceversa.

Cómo desaguar el deshumidificador

⚠ ADVERTENCIA

Peligro de enfermedad

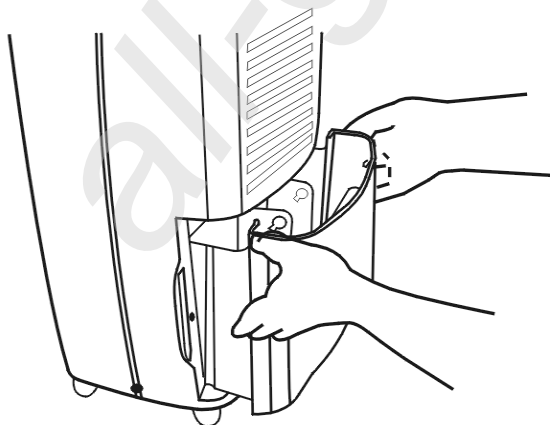
No tome el agua acumulada en el balde.

No seguir esta instrucción puede ocasionar una enfermedad.

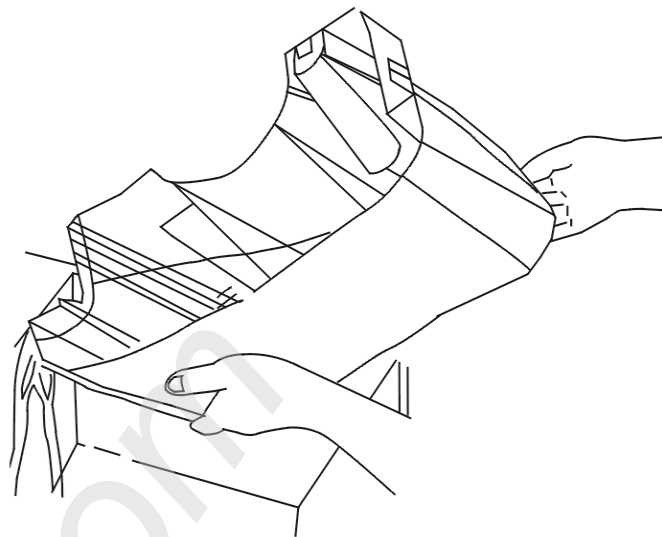
Opción 1 – Quite el balde

En caso de no contar con un desagüe de piso, o si no prevé desaguar su deshumidificador en forma continua, puede simplemente vaciar el balde.

1. Use las manijas laterales para quitar el balde.



2. Vierta el agua a través de la abertura en un fregadero o tina.



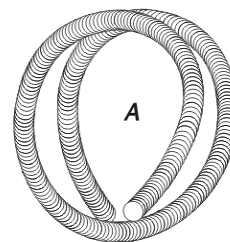
3. Vuelva a instalar el balde.

IMPORTANTE: Si la luz indicadora de Bucket Full (Balde lleno) se enciende, el deshumidificador no funcionará. Vacíe o coloque bien el balde.

Opción 2 - Conecte la manguera de desagüe

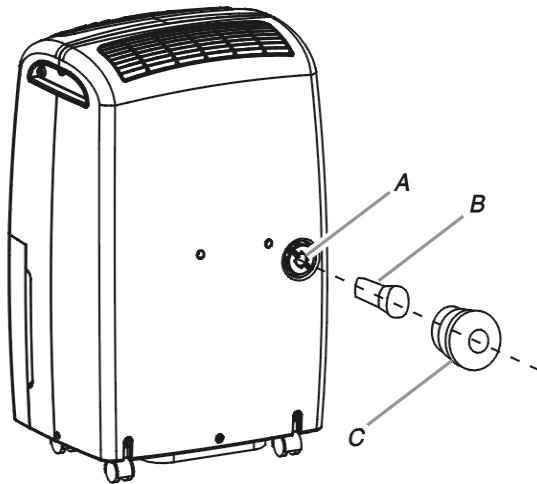
Si planea poner a funcionar el deshumidificador continuamente y tiene un desagüe cerca, sería una buena idea sujetar la manguera de desagüe (provista) al conector de la manguera de desagüe, ubicado en la parte posterior del deshumidificador.

1. Retire la manguera de desagüe del balde del deshumidificador.



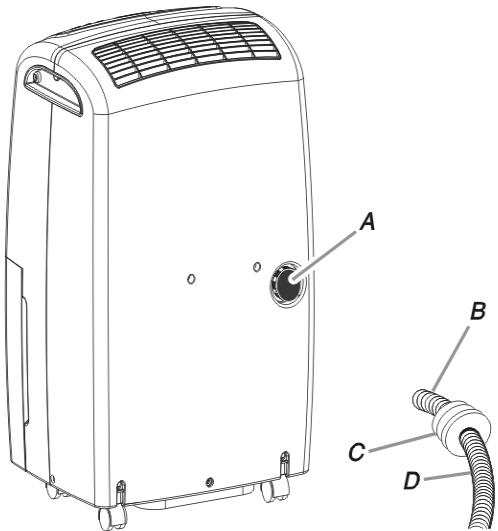
A. Manguera de desagüe (3 pies [91,4 cm] de largo)

2. Quite la tapa de desagüe y el tapón de desagüe de goma. Guarde el tapón del desagüe de goma en el balde del deshumidificador para usarlo posteriormente.



A. Puerto de desagüe
B. Tapón de desagüe de goma
C. Tapa de desagüe

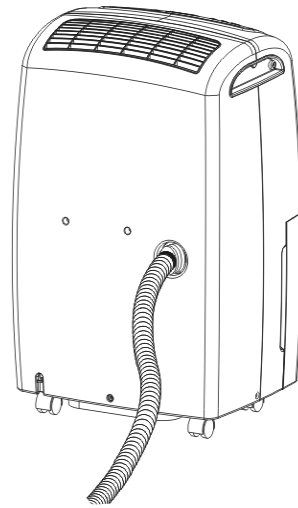
3. Inserte la manguera de desagüe a través del orificio en la tapa de desagüe.
4. Revise que el sello de goma en forma de anillo esté colocado correctamente en el extremo de la manguera de desagüe.



A. Puerto de desagüe
B. Sello de goma en forma de anillo dentro de la manguera de desagüe

C. Tapa de desagüe
D. Manguera de desagüe

5. Inserte la manguera de desagüe en el puerto de desagüe. Gire la tapa del desagüe hacia la derecha para ajustarla.



6. Coloque el otro extremo de la manguera de desagüe en un desagüe por el piso. Revise que la manguera de desagüe esté en posición horizontal y dentro del desagüe.

Sonidos normales

Cuando su deshumidificador está funcionando como debe, Ud. podría escuchar sonidos como:

- Sonidos del compresor, los cuales pueden ser fuertes. Esto es normal.
- Sonidos de chasquido cuando el deshumidificador o el compresor se enciende y se apaga, y cuando el Interruptor de apagado automático esté funcionando.
- Movimiento de aire del ventilador.

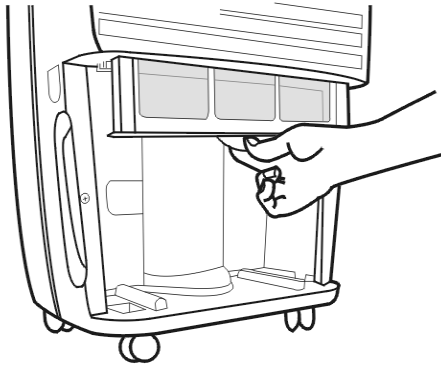
CUIDADO DEL DESHUMIDIFICADOR

Su nuevo deshumidificador está diseñado para darle muchos años de servicio confiable. Esta sección le ofrece la información acerca de la limpieza y el cuidado de su deshumidificador. Llame al vendedor autorizado de su localidad para una limpieza anual del deshumidificador. Recuerde... el costo de esta visita de servicio es su responsabilidad.

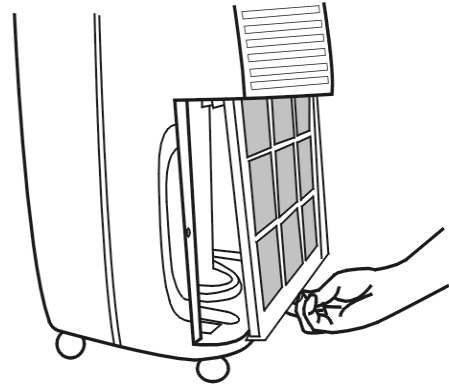
Limpieza del filtro de aire

El filtro de aire se puede desmontar para facilitar su limpieza. Un filtro limpio ayuda a quitar el polvo, las pelusas y otras partículas del aire, y es importante para que funcione más eficientemente. Revise el filtro cada dos semanas para ver si necesita limpieza.

1. Apague el deshumidificador.
2. Quite el balde.
3. Jale el filtro hacia abajo por debajo de las rejillas frontales.



4. Jale el borde inferior del filtro de aire hacia usted para despejar la parte inferior del deshumidificador.



5. Limpie el filtro usando una aspiradora. Si está muy sucio, lave el filtro con agua tibia y un detergente suave. No lave el filtro de aire en la lavavajillas ni use limpiadores químicos. Seque bien el filtro al aire antes de colocarlo nuevamente para asegurarse la máxima eficiencia.
6. Deslice el filtro de aire hacia arriba dentro del deshumidificador.
7. Vuelva a colocar el balde.
8. Encienda el deshumidificador.

Limpieza del deshumidificador

Exterior

NOTA: Solicite a un técnico de servicio autorizado que limpie y dé servicio a los serpentines interiores de su producto una vez al año.

1. Apague el deshumidificador.
2. Limpie la rejilla delantera y los paneles laterales con un cepillo suave o con el accesorio para quitar el polvo de su aspiradora.

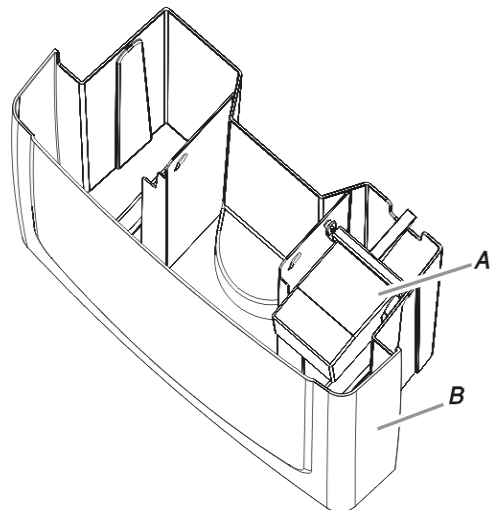
Balde de agua

Cada ciertas semanas, enjuague el interior del balde de agua con un detergente suave para evitar la formación de moho y bacterias.

Flotador de nivel de agua

El deshumidificador cuenta con una luz de Empty Bucket (Vacíe el balde) y un flotador de nivel de agua. El balde debe estar alineado adecuadamente para que el flotador de nivel de agua y la luz de Empty Bucket (Vacíe el balde) funcionen.

NOTA: Asegúrese de que el flotador esté trabado en su lugar.



A. Flotador de nivel de agua
B. Balde


SOLUCIÓN DE PROBLEMAS

Antes de solicitar servicio, pruebe las sugerencias que se incluyen a continuación para ver si puede resolver el problema sin ayuda.

El deshumidificador no funciona

- **¿Está encendido el deshumidificador?** Encienda el deshumidificador.

⚠ ADVERTENCIA



Peligro de Choque Eléctrico

Conecte a un contacto de pared de conexión a tierra de 3 terminales.

No quite la terminal de conexión a tierra.

No use un adaptador.

No use un cable eléctrico de extensión.

No seguir estas instrucciones puede ocasionar la muerte, incendio o choque eléctrico.

- **¿Está enchufado el cable eléctrico en un contacto de pared de conexión a tierra con 3 terminales?** Conecte a un contacto de pared de conexión a tierra de 3 terminales. Vea "Requisitos eléctricos".
- **¿Hay un fusible de la casa fundido o se disparó el cortacircuitos?** Reemplace el fusible o reposicione el

cortacircuitos. Si el problema continúa, llame a un electricista. Vea "Requisitos eléctricos".

- **¿Está instalado debidamente el balde de agua?** Vuelva a instalar el balde para que encaje completamente en el deshumidificador.
- **¿Necesita vaciar el balde de agua?** Vacíe el balde.
- **¿El flotador de nivel de agua está en su lugar?** Quite el balde. Asegúrese de que el flotador esté trabado en su lugar. Vuelva a instalar el balde.

Se forma hielo en los serpentines

- **Un deshelador automático apagará el compresor y permitirá que funcione el ventilador.** Esto reduce la acumulación de hielo en los serpentines. El compresor resumirá el ciclo una vez que el deshelador detecte la temperatura correcta de funcionamiento.

El deshumidificador funciona pero no deshumidifica

- **Un deshelador automático apagará el compresor y permitirá que funcione el ventilador.** Esto reduce la acumulación de hielo en los serpentines. El compresor resumirá el ciclo una vez que el deshelador detecte la temperatura correcta de funcionamiento.
- **El filtro (en algunos modelos) está sucio u obstruido por escombros.** Limpie el filtro.

Está tibio el aire que viene del deshumidificador

- **Bajo condiciones normales de funcionamiento, el deshumidificador sacará aire tibio.**

AYUDA O SERVICIO TÉCNICO

Antes de solicitar ayuda o servicio técnico, por favor consulte la sección "Solución de problemas". Esto le podría ahorrar el costo de una visita de servicio técnico. Si considera que aún necesita ayuda, siga las instrucciones que aparecen a continuación.

Cuando llame, tenga a mano la fecha de compra y el número completo del modelo y de la serie de su electrodoméstico. Esta información nos ayudará a atender mejor a su pedido.

Si necesita piezas de repuesto

Si necesita pedir piezas de repuesto, recomendamos que use únicamente piezas de repuesto especificadas de fábrica. Estas piezas encajarán bien y funcionarán bien ya que están confeccionadas con la misma precisión empleada en la fabricación de cada electrodoméstico nuevo.

Para encontrar piezas de repuesto especificadas de fábrica en su localidad, llámenos o comuníquese con el centro de servicio designado más cercano a su localidad.

Por favor anote la información sobre su modelo.

Siempre que llame para solicitar servicio del aparato, necesitará saber el número del modelo y el número de serie completos. Esta

información la encuentra en la placa de número del modelo y número de serie. La etiqueta con el número de modelo y de serie está en la carcasa.

Por favor anote la información sobre el número del modelo y el número de serie que se incluye abajo. Anote también la fecha de compra del aparato, así como el nombre, la dirección y el teléfono de la tienda.

Número de modelo _____

Número de serie _____

Fecha de compra _____

Nombre de la tienda _____

Dirección de la tienda _____

Teléfono de la tienda _____

Guarde este manual y el comprobante de compra juntos para referencia futura.

En los EE.UU.

Llame sin costo alguno a Haier America al: 1-877-337-3639.

Nuestros consultores ofrecen ayuda para:

- Características y especificaciones de nuestra línea completa de productos.
- Información sobre la instalación.
- Procedimiento para el uso y mantenimiento.
- Venta de partes para reparación.
- Recomendaciones con compañías que dan servicio y distribuidores de partes para reparación. Los técnicos de servicio autorizados por el fabricante están capacitados para cumplir con la garantía del producto y ofrecer servicio una vez que la garantía termine, en cualquier lugar de los Estados Unidos.

Para obtener asistencia adicional

Si necesita asistencia adicional, puede escribir con sus preguntas o dudas a:

Haier America
1356 Broadway
New York, NY 10018

Por favor incluya en su correspondencia un número de teléfono en el que se le pueda localizar durante el día.

Garantie Limitée

Cette garantie couvre les pièces suivantes du climatiseur contre tous vices de fabrication et de matériaux:

1. Les pièces mécaniques et électriques (y compris les frais de main d'oeuvre) de ce produit pour une période de 12 mois à partir de la date d'achat (pour utilisation commerciale et location, la garantie est de 90 jours).
2. Le système scellé et le compresseur contenu à l'intérieur de ce produit pour une période de 5 ans à partir de la date d'achat (frais de main d'oeuvre non compris après les 12 premiers mois de couverture). Si l'appareil est utilisé commercialement ou en location, la garantie supplémentaire du compresseur est de 1 à 9 mois (frais de main d'oeuvre non compris après les 90 premiers jours).

Veillez conserver votre reçu de vente daté comme preuve d'achat.

Qui est couvert?

L'acheteur d'origine ayant fait l'acquisition de cet appareil .

Quelles sont les réparations couvertes?

Haier America s'engage à réparer ou à remplacer à votre domicile et pour une durée de 12 mois, toute pièce mécanique ou électrique du compresseur ayant été déterminée défectueuse suite à une utilisation jugée normale. Haier America s'engage à réparer ou à remplacer (frais de main d'oeuvre non compris) le système scellé et le compresseur (pièces uniquement) pour une période supplémentaire de 4 ans.

Démarches à suivre pour réparations

1. Contactez votre centre de réparation agréé Haier America le plus proche. Pour connaître le nom du centre agréé Haier America le plus proche, composez le (877) 337-3639.
2. Toute réparation doit être effectuée par un centre de réparation agréé Haier America.

CETTE GARANTIE COUVRE LES APPAREILS AUX ÉTATS-UNIS ET À PUERTO RICO ET NE COUVRE PAS:

- Les dommages survenant suite à une installation incorrecte.
- Les dommages survenant lors du transport.
- Les dommages et dégâts suite à toute utilisation incorrecte ou excessive, négligence ou modification, tout accident ou entretien incorrect.
- Les dommages suite à des réparations ayant été effectuées par un concessionnaire ou revendeur autre que par un centre de réparation agréé.
- Les frais de main d'oeuvre, de réparations, de transport et tous frais d'expédition couvrant le démontage de pièces et le montage des pièces de rechange au-delà des 12 premiers mois.

LA PRÉSENTE GARANTIE REMPLACE TOUTE AUTRE GARANTIE EXPRESSE OU IMPLICITE Y COMPRIS TOUTE GARANTIE DE COMMERCIALITÉ OU DE QUALITÉ MARCHANDE ET D'APTITUDE À UNE UTILISATION PARTICULIÈRE.

Le recours offert par la garantie est un recours exclusif et tient lieu de recours unique. Cette garantie ne couvre pas les dommages accessoires ou indirects. Certains états ou provinces ne permettent ni la limitation de la durée d'une garantie implicite ni l'exclusion de dommages indirects. Les limites ou exclusions mentionnées ci-dessus peuvent ne pas s'appliquer dans votre cas. Cette garantie vous confère des droits juridiques particuliers et il est possible que vous ayez d'autres droits qui peuvent varier selon l'état et la province.

SÉCURITÉ DU DÉSHUMIDIFICATEUR

Votre sécurité et celle des autres est très importante.

Nous donnons de nombreux messages de sécurité importants dans ce manuel et sur votre appareil ménager. Assurez-vous de toujours lire tous les messages de sécurité et de vous y conformer.



Voici le symbole d'alerte de sécurité.

Ce symbole d'alerte de sécurité vous signale les dangers potentiels de décès et de blessures graves à vous et à d'autres.

Tous les messages de sécurité suivront le symbole d'alerte de sécurité et le mot "DANGER" ou "AVERTISSEMENT". Ces mots signifient :

⚠ DANGER

Risque possible de décès ou de blessure grave si vous ne suivez pas immédiatement les instructions.

⚠ AVERTISSEMENT

Risque possible de décès ou de blessure grave si vous ne suivez pas les instructions.

Tous les messages de sécurité vous diront quel est le danger potentiel et vous disent comment réduire le risque de blessure et ce qui peut se produire en cas de non-respect des instructions.

IMPORTANTES INSTRUCTIONS DE SÉCURITÉ

AVERTISSEMENT : Pour réduire les risques d'incendie, de choc électrique, des blessures ou maladies lors de l'utilisation du déshumidificateur, prendre quelques précautions fondamentales, y compris les suivantes :

- Brancher l'appareil sur une prise à 3 alvéoles reliée à la terre.
- Ne pas utiliser un câble de rallonge.
- Ne pas enlever la broche de liaison à la terre.
- Débrancher le déshumidificateur avant l'entretien.
- Ne pas utiliser un adaptateur.
- Ne pas boire l'eau recueillie dans le bac.

CONSERVEZ CES INSTRUCTIONS

SPÉCIFICATIONS D'INSTALLATION

Spécifications électriques

⚠ AVERTISSEMENT



Risque de choc électrique

Brancher sur une prise à 3 alvéoles reliée à la terre.

Ne pas enlever la broche de liaison à la terre.

Ne pas utiliser un adaptateur.

Ne pas utiliser un câble de rallonge.

Le non-respect de ces instructions peut causer un décès, un incendie ou un choc électrique.

Les exigences électriques spécifiques sont indiquées dans le tableau ci-dessous. Suivre les recommandations pour ce type de prise électrique sur le cordon d'alimentation.

Cordon électrique

Spécifications du câblage



- 115 volts (103,5 min. à 126,5 max.)
- Fusible temporisé de 15 ampères ou disjoncteur

Méthode recommandée de liaison à la terre

Ce déshumidificateur doit être relié à la terre. Ce déshumidificateur est équipé d'un cordon d'alimentation électrique à trois broches pour la liaison à la terre. Pour minimiser les risques de choc électrique, on doit brancher le cordon sur une prise de courant de configuration correspondante, à 3 alvéoles, reliée à la terre et installée conformément à tous les codes et règlements locaux en vigueur. Si une prise de courant compatible n'est pas disponible, c'est au client qu'incombe l'obligation de faire installer une prise de courant à 3 alvéoles convenablement reliée à la terre, par un électricien qualifié.

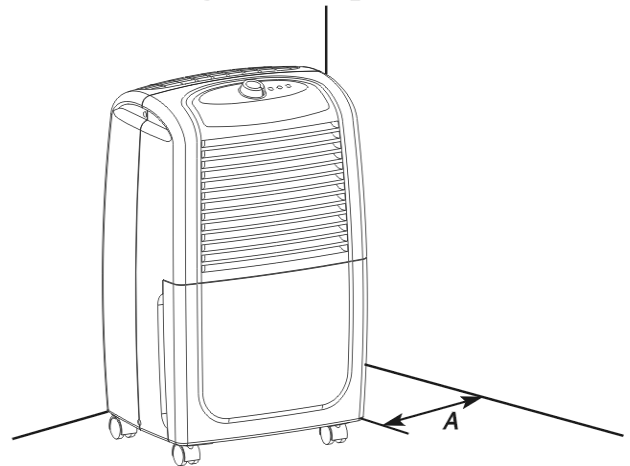
C'est au client qu'incombe la responsabilité de :

- Contacter un électricien qualifié.
- Veiller à ce que l'installation électrique soit réalisée de façon adéquate et en conformité avec le code national de l'électricité, ANSI/NFPA 70—dernière édition, et tous les codes et règlements locaux en vigueur.

On peut obtenir des exemplaires des normes mentionnées à l'adresse suivante :

National Fire Protection Association
1 Batterymarch Park
Quincy, MA 02169

Exigences d'emplacement



A. Laisser au moins 8" (20 cm) d'espace libre

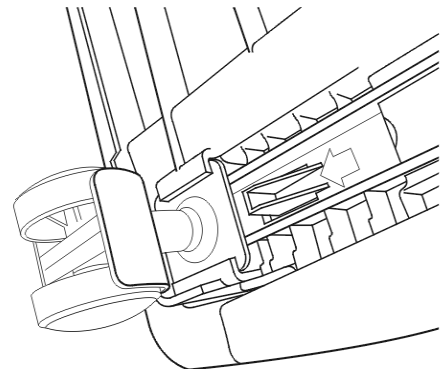
- Une surface d'aplomb suffisamment solide est requise pour supporter le poids du déshumidificateur lorsque sa cuve est pleine d'eau.
- Maintenir toutes les portes menant vers l'extérieur, fenêtres et autres ouvertures fermées lorsque vous faites fonctionner le déshumidificateur. De l'air humide en provenance de l'extérieur augmentera la charge de travail du déshumidificateur.
- Installer le déshumidificateur dans un endroit où la température ne descendra pas en dessous de 41°F (5°C). Des températures plus basses entraîneront une baisse du rendement.
- Ne pas obstruer les claires-voies du panneau avant.

Installation des roulettes

(sur certains modèles)

L'installation des roulettes est recommandée afin d'éviter d'endommager le plancher.

1. Dégager les roulettes du bac du déshumidificateur.
2. Placer le déshumidificateur en appui sur le côté.
3. Déterminer l'emplacement de la flèche au bas du déshumidificateur et insérer la roulette selon la direction de la flèche.
4. Enfoncer la roulette en la faisant glisser aussi loin que possible. La roulette s'emboîte.



5. Répéter les étapes 1 à 4 pour les trois autres roulettes.

UTILISATION DU DÉSHUMIDIFICATEUR

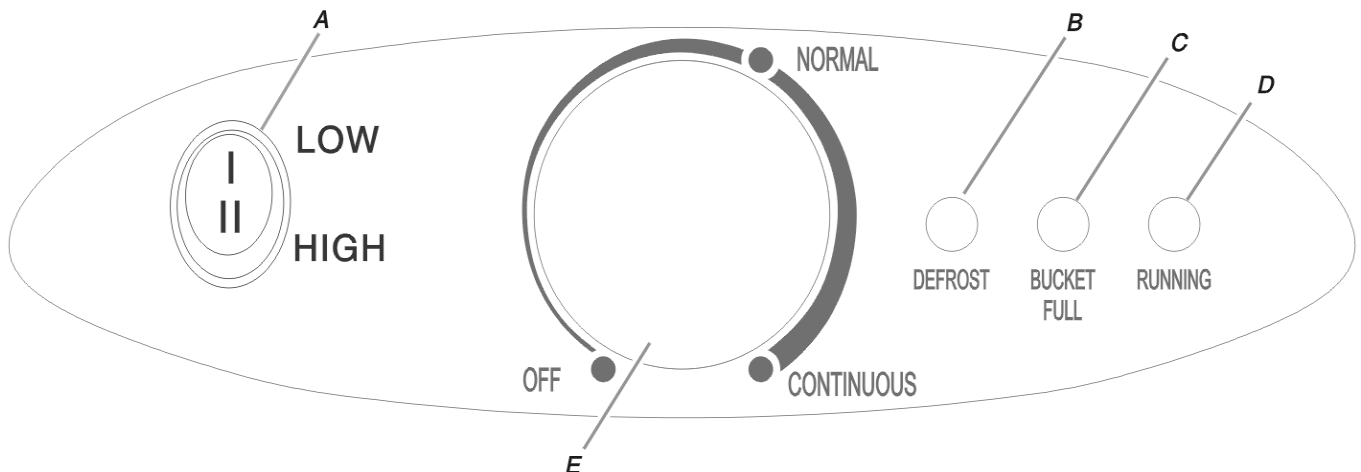
Réglage des commandes

Mise en marche/arrêt du déshumidificateur

REMARQUE : Avant de mettre en marche le déshumidificateur, s'assurer que le bac est vide et qu'il est complètement encastré dans le déshumidificateur.

Tableau de commande—(modèle CJ30M,CJ35M)

REMARQUE : La température de fonctionnement minimale est de 41°F (5°C).



A. Commande de vitesse du ventilateur
B. Témoin lumineux de dégivrage
C. Témoin lumineux de bac plein

D. Témoin lumineux de fonctionnement
E. Bouton de commande du mode

⚠ AVERTISSEMENT



Risque de choc électrique

Brancher sur une prise à 3 alvéoles reliée à la terre.

Ne pas enlever la broche de liaison à la terre.

Ne pas utiliser un adaptateur.

Ne pas utiliser un câble de rallonge.

Le non-respect de ces instructions peut causer un décès, un incendie ou un choc électrique.

1. Brancher sur une prise de courant à 3 alvéoles reliée à la terre.
2. Tourner le bouton de commande du mode dans le sens horaire.

IMPORTANT : Si le témoin lumineux de bac plein s'allume, le déshumidificateur ne fonctionnera pas. Vider ou ajuster le bac.

3. Pour éteindre le déshumidificateur, tourner le bouton de commande dans le sens antihoraire jusqu'à la position OFF (arrêt).

Témoin lumineux de bac plein

Si ce témoin est allumé, le déshumidificateur ne fonctionne pas. Ce témoin indique qu'il faut vérifier les éléments suivants :

- Si le bac est plein, le vider et le réinstaller.
- Si le bac n'est pas en position correcte, retirer le bac et le réinstaller. S'assurer que le bac est complètement inséré dans le déshumidificateur et que le témoin est éteint ou que le déshumidificateur ne fonctionne pas.

Vitesse du ventilateur

Appuyer sur la commande de vitesse du ventilateur pour sélectionner High (élevée) ou Low (basse).

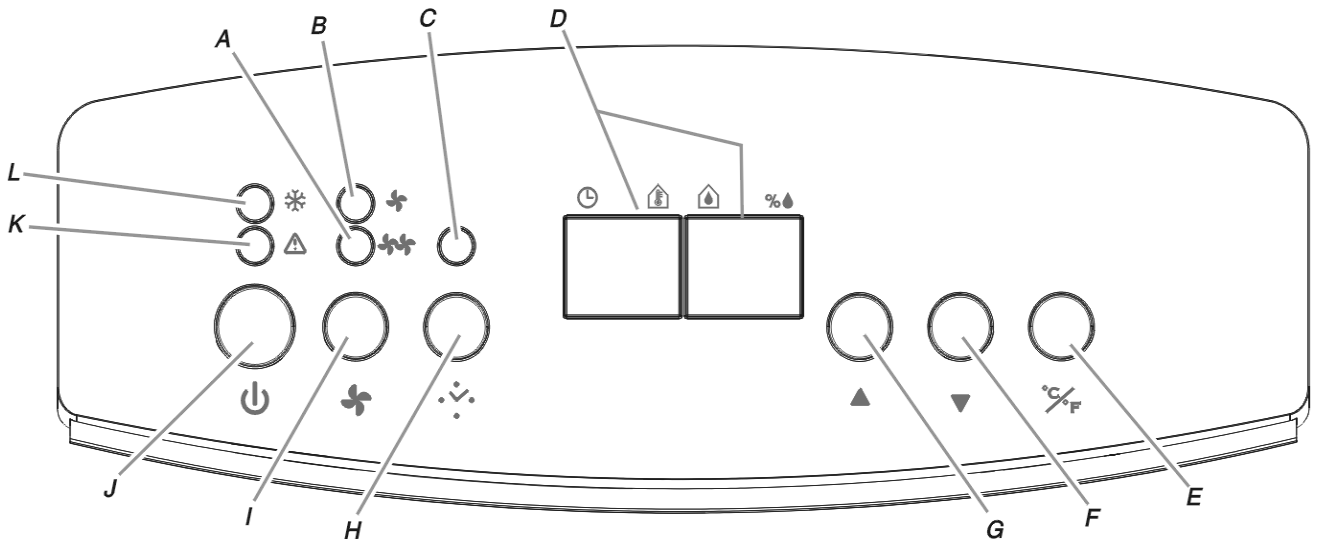
- High (élevée)—pour une élimination accélérée de l'humidité
- Low (basse)—pour une élimination plus silencieuse de l'humidité

Niveau d'humidité

Pour régler le niveau d'humidité, tourner le bouton de commande dans le sens horaire pour augmenter le réglage d'humidité et dans le sens antihoraire pour le diminuer.

Tableau de commande—(modèle CJ50E,CJ70E)

REMARQUE : La température de fonctionnement minimale est de 41°F (5°C).



A. Témoin lumineux de vitesse élevée du ventilateur
 B. Témoin lumineux de vitesse basse du ventilateur
 C. Témoin lumineux de la minuterie
 D. Affichage du niveau d'humidité et de la minuterie/température

E. Bouton de sélection de °C/°F
 F. Touche à flèche vers le bas
 G. Touche à flèche vers le haut
 H. Touche de la minuterie

I. Touche de vitesse du ventilateur
 J. Touche d'alimentation marche/arrêt
 K. Témoin lumineux de vérification du bac
 L. Témoin lumineux de dégivrage

⚠ AVERTISSEMENT



Risque de choc électrique

Brancher sur une prise à 3 alvéoles reliée à la terre.

Ne pas enlever la broche de liaison à la terre.

Ne pas utiliser un adaptateur.

Ne pas utiliser un câble de rallonge.

Le non-respect de ces instructions peut causer un décès, un incendie ou un choc électrique.

1. Brancher sur une prise de courant à 3 alvéoles reliée à la terre.
2. Appuyer sur le bouton d'alimentation marche/arrêt pour mettre en marche le déshumidificateur.
IMPORTANT : Si le témoin lumineux de bac plein s'allume, le déshumidificateur ne fonctionnera pas. Vider ou ajuster le bac.
3. Pour éteindre le déshumidificateur, appuyer sur la touche d'alimentation marche/arrêt.

Témoin lumineux de bac plein

Si la lumière est allumée, le déshumidificateur ne fonctionne pas. Ce témoin indique qu'il faut vérifier les éléments suivants :

- Si le bac est plein, le vider et le réinstaller.

- Si le bac n'est pas en position correcte, retirer le bac et le réinstaller. S'assurer que le bac est complètement inséré dans le déshumidificateur et que le témoin est éteint ou que le déshumidificateur ne fonctionne pas.

Vitesse du ventilateur

Le bouton de vitesse du ventilateur contrôle le fonctionnement du ventilateur.

- High (élevée)—pour une élimination accélérée de l'humidité
- Low (basse)—pour une élimination plus silencieuse de l'humidité

Affichage de niveau d'humidité et de la minuterie/température

- L'affichage de la minuterie/température indique la température ambiante de la pièce pendant que le déshumidificateur fonctionne.
- L'affichage de la minuterie/température indique le réglage de la minuterie pendant 10 secondes. L'affichage indique ensuite la température ambiante de la pièce.
- L'affichage du niveau d'humidité indique le niveau l'humidité réglé pendant 10 secondes. L'affichage indique ensuite la température ambiante de la pièce.

Niveau d'humidité

Pour régler le niveau d'humidité, appuyer sur la touche à flèche vers le haut ou vers le bas pour sélectionner le réglage désiré.

REMARQUES :

- Le niveau d'humidité peut être réglé entre 30 % et 90%.

- Le dégivreur désactive le compresseur si la température est trop basse. Le fait d'appuyer sur la touche à flèche vers le haut ou vers le bas n'augmente pas ou ne diminue pas la quantité d'humidité éliminée. Lorsque le dégivreur détecte une température de fonctionnement correcte, le compresseur se remet en marche en fonctionnement intermittent.
- Après 10 secondes, l'affichage du niveau d'humidité indique le niveau d'humidité actuel dans la pièce.

Minuterie

Éteindre automatiquement le dégivreur

1. Mettre en marche le déshumidificateur.
2. Appuyer sur la touche de la minuterie.
3. Appuyer sur la touche à flèche vers le haut ou vers le bas pour régler l'heure à laquelle on souhaite que le déshumidificateur s'éteigne.

REMARQUE :Après 10 secondes, l'afficheur de la minuterie/ température indique la température ambiante dans la pièce.

Mettre automatiquement en marche le déshumidificateur

1. Éteindre le déshumidificateur.
2. Appuyer sur la touche de la minuterie.
3. Appuyer sur la touche à flèche vers le haut ou vers le bas pour régler l'heure à laquelle on souhaite que le déshumidificateur se mette en marche.

REMARQUE :Après 10 secondes, l'afficheur de la minuterie/ température indique la température ambiante dans la pièce.

Sélecteur °C/°F

Appuyer sur ce sélecteur pour commuter entre °C et °F.

Vidange du déshumidificateur

⚠ AVERTISSEMENT

Risque de maladie

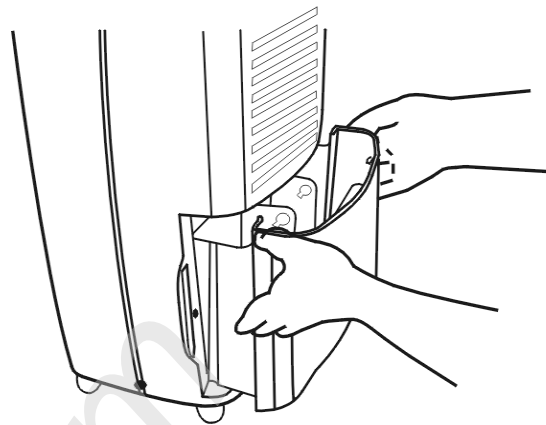
Ne pas boire l'eau recueillie dans le bac.

Le non-respect de cette instruction peut causer des maladies.

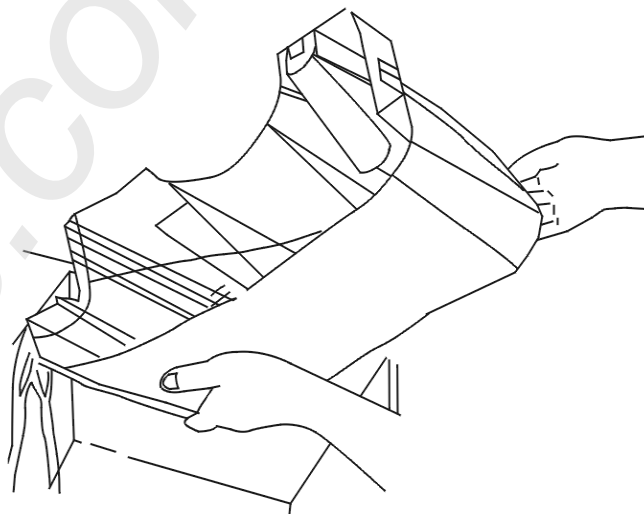
Option 1—Dépose du bac

Si l'on ne dispose pas d'un système de vidange au plancher, ou si l'utilisateur ne prévoit pas de faire fonctionner le déshumidificateur en continu, il est peut-être préférable de vider le bac.

1. Se servir des poignées latérales pour retirer le bac.



2. Verser l'eau à travers l'ouverture dans l'évier ou la baignoire.



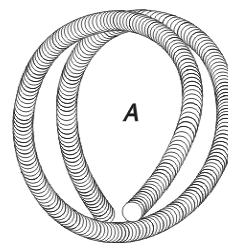
3. Réinstaller le bac.

IMPORTANT : Si le témoin lumineux de bac plein s'allume, le déshumidificateur ne fonctionnera pas. Vider ou ajuster le bac.

Option 2—Raccordement du tuyau de vidange

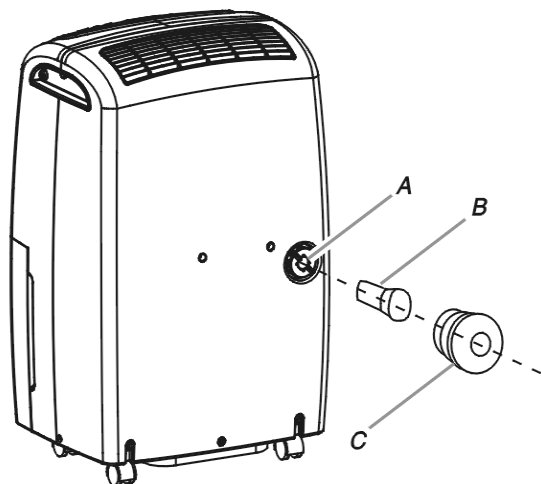
Si l'on prévoit de faire fonctionner le déshumidificateur en permanence et s'il existe une évacuation à proximité, il peut être judicieux de fixer le tuyau de vidange (fourni) au raccord de tuyau de vidange à l'arrière du déshumidificateur.

1. Retirer le tuyau de vidange du bac du déshumidificateur.



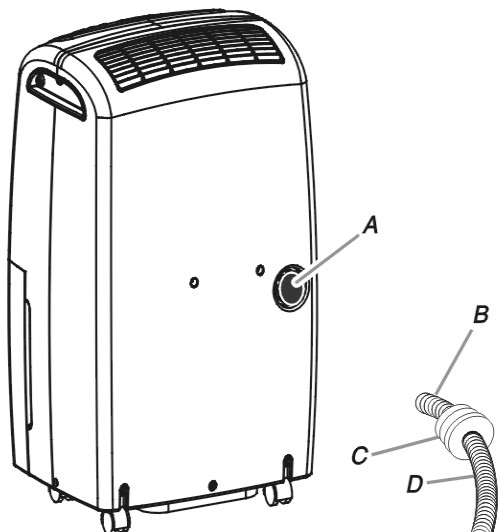
A. Tuyau de vidange (longueur de 3 pi [91,4 cm])

- Retirer le capuchon de vidange et le bouchon de vidange en caoutchouc. Remiser le bouchon de vidange en caoutchouc dans le bac du déshumidificateur pour utilisation ultérieure.



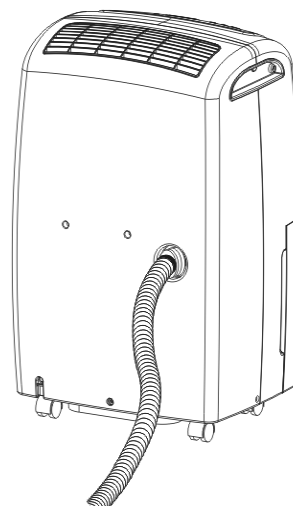
A. Orifice de vidange
B. Bouchon de vidange en caoutchouc
C. Capuchon de vidange

- Insérer le tuyau de vidange dans l'orifice du capuchon de vidange.
- Vérifier que le joint circulaire en caoutchouc est correctement inséré dans l'extrémité du tuyau de vidange.



A. Orifice de vidange
B. Joint circulaire en caoutchouc à l'intérieur du tuyau de vidange
C. Capuchon de vidange
D. Tuyau de vidange

- Insérer le tuyau de vidange dans l'orifice de vidange. Faire tourner le capuchon de vidange dans le sens horaire pour le serrer.



- Placer l'autre extrémité du tuyau de vidange dans un drain au plancher. Vérifier que le tuyau de vidange repose à plat et se trouve dans le drain.

Sons normaux

Lorsque le déshumidificateur fonctionne normalement, on peut percevoir certains bruits comme :

- Bruits du compresseur, qui peuvent être forts. Ceci est normal.
- Cliquetis lorsque le déshumidificateur ou le compresseur se met en marche ou s'éteint et lorsque le commutateur d'arrêt automatique fonctionne.
- Mouvement de l'air sous l'effet du ventilateur.

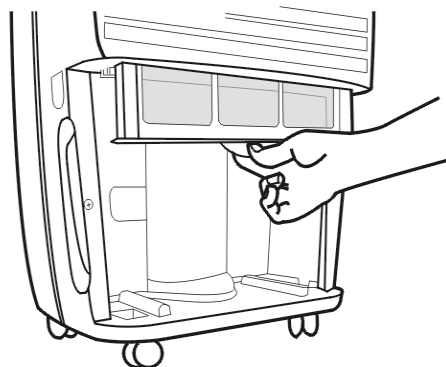
ENTRETIEN DU DÉSHUMIDIFICATEUR

Votre nouveau déshumidificateur est conçu pour vous donner de nombreuses années de service fiable. Cette section vous explique comment nettoyer et entretenir votre déshumidificateur correctement. Contacter votre marchand local autorisé pour un nettoyage annuel du déshumidificateur. Ne pas oublier... le coût de ce service est à votre charge.

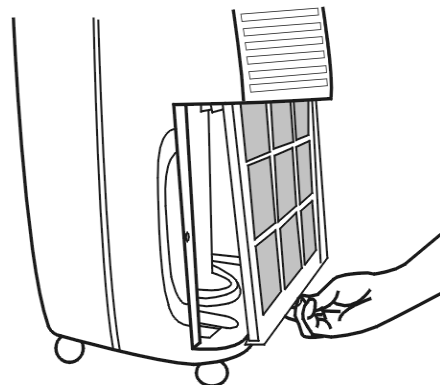
Nettoyage du filtre à air

Le filtre à air est amovible pour faciliter le nettoyage. Un filtre à air propre aide à retenir les particules de poussière, la charpie et autres débris en suspension dans l'air et est important pour obtenir la meilleure efficacité de fonctionnement. Vérifier le filtre toutes les 2 semaines pour déterminer si un nettoyage est nécessaire.

1. Arrêter le déshumidificateur.
2. Enlever le bac.
3. Tirer le filtre à air vers le bas, à partir de l'arrière des claire-voies avant.



4. Tirer le bord inférieur du filtre à air pour l'écarter du déshumidificateur, pour éviter une interférence avec le bas du déshumidificateur.



5. Nettoyer le filtre à air à l'aspirateur. Si le filtre est très sale, le laver avec de l'eau tiède et un détergent doux. Ne pas laver le filtre à air au lave-vaisselle, ni utiliser un produit nettoyant chimique. Faire sécher parfaitement le filtre à air avant de le réinstaller, afin d'assurer une efficacité maximale.
6. Faire glisser le filtre à air vers le haut dans le déshumidificateur.
7. Remettre en place le bac.
8. Mettre le déshumidificateur en marche.

Nettoyage du déshumidificateur

Extérieur

REMARQUE : Demander à un technicien d'entretien agréé de nettoyer et d'entretenir les serpentins intérieurs du produit une fois par an.

1. Éteindre le déshumidificateur.
2. Épousseter la grille frontale et les panneaux latéraux avec une brosse douce ou l'embout à épousseter de votre aspirateur.

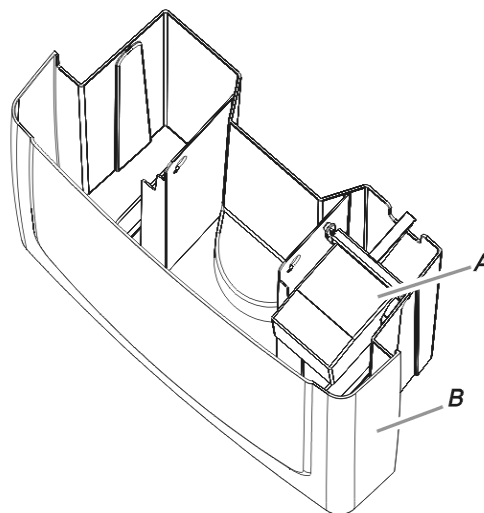
Bac à eau

À quelques semaines d'intervalle, rincer l'intérieur du bac à eau avec un détergent doux pour empêcher le développement de moisissure et de bactéries.

Flotteur de niveau d'eau

Le déshumidificateur comporte un témoin Empty Bucket (vidage du bac) ainsi qu'un flotteur du niveau d'eau. Le bac doit être correctement aligné afin que le flotteur de niveau de l'eau et le témoin Empty Bucket (vidage du bac) fonctionnent.

REMARQUE : Veiller à ce que le flotteur soit emboîté en place.



A. Flotteur de niveau d'eau
B. Bac

DÉPANNAGE

Avant de faire un appel de service, essayez les suggestions ci-dessous pour déterminer si vous pouvez résoudre votre problème sans aide extérieure.

Le déshumidificateur ne fonctionne pas

- **Le déshumidificateur est-il allumé?** Allumer le déshumidificateur.

AVERTISSEMENT



Risque de choc électrique

Brancher sur une prise à 3 alvéoles reliée à la terre.

Ne pas enlever la broche de liaison à la terre.

Ne pas utiliser un adaptateur.

Ne pas utiliser un câble de rallonge.

Le non-respect de ces instructions peut causer un décès, un incendie ou un choc électrique.

- **Le cordon d'alimentation est-il débranché?** Brancher sur une prise à 3 alvéoles reliée à la terre. Voir "Spécifications électriques".
- **Un fusible est-il grillé ou le disjoncteur s'est déclenché?** Remplacer le fusible ou réenclencher le disjoncteur. Si le problème persiste, appeler un électricien. Voir "Spécifications électriques".

- **Le bac est-il correctement installé?** Réinstaller le bac.
- **Le bac a-t-il besoin d'être vidé?** Vider le bac.
- **Le flotteur de niveau d'eau est-il en place?** Retirer le bac. Vérifier que le flotteur est bien enclenché. Réinstaller le bac.

De la glace se forme sur les serpentins

- **Tous les autres modèles comportent un dégivreur automatique qui éteindra le compresseur et permettra au ventilateur de fonctionner.** Ceci réduira l'accumulation de glace sur les serpentins. Le compresseur se remettra en marche lorsque le dégivreur captera la température de fonctionnement correcte.

Le déshumidificateur fonctionne mais ne déshumidifie pas

- **Tous les autres modèles comportent un dégivreur automatique qui éteindra le compresseur et permettra au ventilateur de fonctionner.** Ceci réduira l'accumulation de glace sur les serpentins. Le compresseur se remettra en marche lorsque le dégivreur captera la température de fonctionnement correcte.
- **Le filtre est sale ou obstrué par des débris.** Nettoyer le filtre.

L'air en provenance du déshumidificateur est tiède

- **Le déshumidificateur rejettera de l'air tiède dans des conditions normales d'utilisation.**

ASSISTANCE OU SERVICE

Avant de faire un appel pour assistance ou service, consulter la section "Dépannage". Ceci peut vous faire économiser le coût d'une visite de service. Si vous avez encore besoin d'aide, suivre les instructions ci-dessous.

Lors d'un appel, veuillez connaître la date d'achat, le numéro de modèle et le numéro de série au complet de l'appareil. Ces renseignements nous aideront à mieux répondre à votre demande.

Si vous avez besoin de pièces de rechange

Si vous avez besoin de commander des pièces de rechange, nous vous recommandons d'employer uniquement des pièces de rechange spécifiées par l'usine. Les pièces de rechange spécifiées par l'usine fonctionneront bien parce qu'elles sont fabriquées avec la même précision utilisée dans la fabrication de chaque nouvel appareil.

Pour obtenir des pièces de rechange spécifiées par l'usine dans votre région, nous contacter ou appeler le Centre de service désigné le plus proche.

Veillez inscrire les informations concernant votre modèle.

Vous devrez connaître le numéro de modèle et le numéro de série au complet lorsque vous appelez pour demander un service pour votre appareil. Vous pouvez trouver ces informations sur la plaque signalétique. La plaque signalétique est située sur la caisse.

Veillez inscrire ces informations ci-dessous (numéros de modèle et de série). Veuillez également inscrire la date d'achat de l'appareil et le nom, l'adresse et le numéro de téléphone du magasin.

Numéro de modèle _____

Numéro de série _____

Date d'achat _____

Nom du magasin _____

Adresse du magasin _____

Numéro de téléphone du magasin _____

Conservez ce manuel et votre reçu de vente ensemble pour consultation ultérieure.

Aux États-Unis

Veillez contacter sans frais Haier America au :
1-877-337-3639.

Nos consultants sont prêts à vous aider pour les questions suivantes :

- Caractéristiques et spécifications sur toute notre gamme d'appareils électroménagers.
- Renseignements d'installation.
- Procédés d'utilisation et d'entretien.
- Vente de pièces de rechange.
- Références aux distributeurs de pièces de rechange et compagnies de service. Les techniciens de service désignés sont formés pour effectuer les travaux de réparation sous garantie et le service après la garantie, partout aux États-Unis.

Pour plus d'assistance

Si vous avez besoin de plus d'assistance, vous pouvez soumettre par écrit toute question à l'adresse suivante :

Haier America
1356 Broadway
New York, NY 10018

Dans votre correspondance veuillez indiquer un numéro de téléphone où on peut vous joindre dans la journée.

Au Canada

Veillez contacter sans frais Haier America au : 1-877-337-3639

Nos consultants vous renseigneront sur les sujets suivants :

- Caractéristiques et spécifications sur toute notre gamme d'appareils électroménagers.
- Consignes d'utilisation et d'entretien.
- Ventes de pièces de rechange.
- Références aux distributeurs de pièces de rechange et aux compagnies de service. Les techniciens de service désignés sont formés pour remplir la garantie des produits et fournir un service après la garantie, partout au Canada.

Pour plus d'assistance

Si vous avez besoin de plus d'assistance, vous pouvez soumettre par écrit toute question à l'adresse suivante :

Haier America
1356 Broadway
New York, NY 10018
U.S.A.

Veillez inclure dans votre correspondance un numéro de téléphone où l'on peut vous joindre dans la journée.

Garantía Limitada

Esta garantía cubre todos los defectos en el funcionamiento o materiales por:

1. Las partes mecánicas y eléctricas que posee este producto (incluyendo los costos de labor) por un período de 12 meses desde la fecha de compra. (90 días si fuese de aplicación comercial o renta).
2. El sistema sellado y el compresor comprendidos en este producto por un período de 5 años, desde la fecha de compra, (excluyendo los costos de labor luego de los 12 meses iniciales). Si fuese de uso comercial o renta la garantía adicional limitada del compresor es por 1 año y 9 meses (excluyendo los costos de labor luego de los 90 días iniciales).

Usted debe conservar y disponer de la factura original de compra como prueba de la fecha de compra del producto.

Quién está cubierto?

El minorista comprador del producto.

Qué se hará?

Haier America reparará o cambiará, en su casa, cualquier parte mecánica o eléctrica que se muestre defectuosa en la operatoria normal y dentro del período de 12 meses.

Haier America reparará o cambiará (excluyendo los costos por labor) el sistema sellado o compresor (partes solamente) por un período adicional de 4 años.

Cómo se obtiene el servicio?

1. Para obtener el servicio contacte al Departamento de servicios autorizado por Haier America más cercano al (877) 337-3639.
2. Toda reparación debe ser realizada por un Service Autorizado por Haier America.

ESTA GARANTIA ACANZA A TODOS LAS UNIDADES DENTRO DE LOS ESTADOS UNIDOS, CANADA Y PUERTO RICO. NO ALCANZA LO SIGUIENTE:

- Daños por instalación inadecuada
- Daños en el embarque.
- Daños por desuso, accidente, abuso, alteración, falta de cuidado y mantenimiento adecuado
- Daños realizados por un service o persona no autorizada por Haier America.
- Labor, servicio, transporte y gastos de embarque por el reemplazo de las partes defectuosas e instalación de las nuevas partes, luego de los 12 meses iniciales.

ESTA GARANTIA LIMITADA ESTA DADA EN LUGAR DE CUALQUIER OTRA GARANTIA, EXPRESAS O NO, INCLUYENDO LA GARANTIA DE COMERCIALIZACION O PARA UN PROPOSITO EN PARTICULAR.

Las soluciones provistas en esta garantía son exclusivas y concedidas en lugar de cualquier otra garantía.

Esta garantía no cubre daños incidentales o consiguientes, de modo que las limitaciones anteriores pueden no alcanzarlo. Algunos Estados no permiten limitaciones en cuanto la duración de una garantía implícita, de modo que las limitaciones anteriores pueden no alcanzarlo.

Esta garantía le da derechos legales específicos, y usted gozará de otros derechos los cuales varían de Estado a Estado.

© 2009
All rights reserved.
Todos los derechos reservados.
Tous droits réservés.

*Registered Trademark/™Trademark of Maytag Corporation or its related companies.
Manufactured under license to Haier America, New York, NY.
Used under license by Maytag Limited in Canada.

*Marca registrada/™Marca de comercio de Maytag Corporation o sus compañías asociadas.
Fabricado bajo licencia para Haier America, New York, NY.
Usada bajo licencia por Maytag Limited en Canadá.

*Marque déposée/™Marque de commerce de Maytag Corporation ou de ses compagnies affiliées.
Fabriqué sous licence par Haier America, New York, NY.
Emploi sous licence par Maytag Limited au Canada.

3/09
Printed in China
Impreso en China
Imprimé en Chine