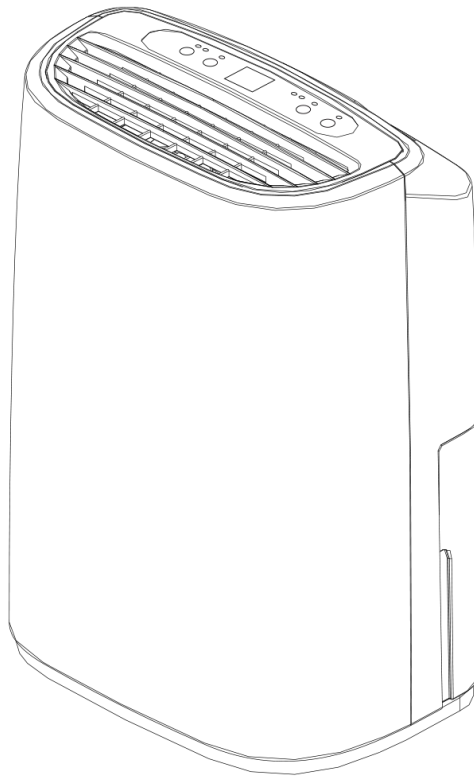


MANUAL

Dehumidifier

HD161A



Please read this user manual before operating
and save for future reference.

BEFORE FIRST USE:

Please leave the dehumidifier standing upright and outside the box for **24 HOURS** before plugging it in.

The dehumidifiers may have been tilted or placed upside down during shipping. Leave the dehumidifier to stand upright for 24 hours so the oil in the compressor can settle from the move, not doing so can affect the performance or lifespan of the dehumidifier.

TABLE OF CONTENTS

Important Safety Instructions	1
Parts Identification	2
Operation Instructions	3
1. Position Your Dehumidifier Properly	3
2. Understand the Control Panel	3
3. General Operation	4
4. Timer Setting	5
5. Smart Functions	6
6. Removing Collected Water	6
1) Emptying the Water Bucket	6
2) Continuous Draining	7
Care & Cleaning	8
1. Clean the Vent and Case	8
2. Clean the Reservoir	8
3. Clean the Air Filter	8
4. Store the Dehumidifier	8
Troubleshooting	10
1. Error Codes	10
2. Reset the Dehumidifier	10
3. Troubleshooting Chart	10
Product Specifications	12
Warranty Information	13

Important Safety Instructions

To prevent injury and property damage, the following instructions must be followed when using the dehumidifier.

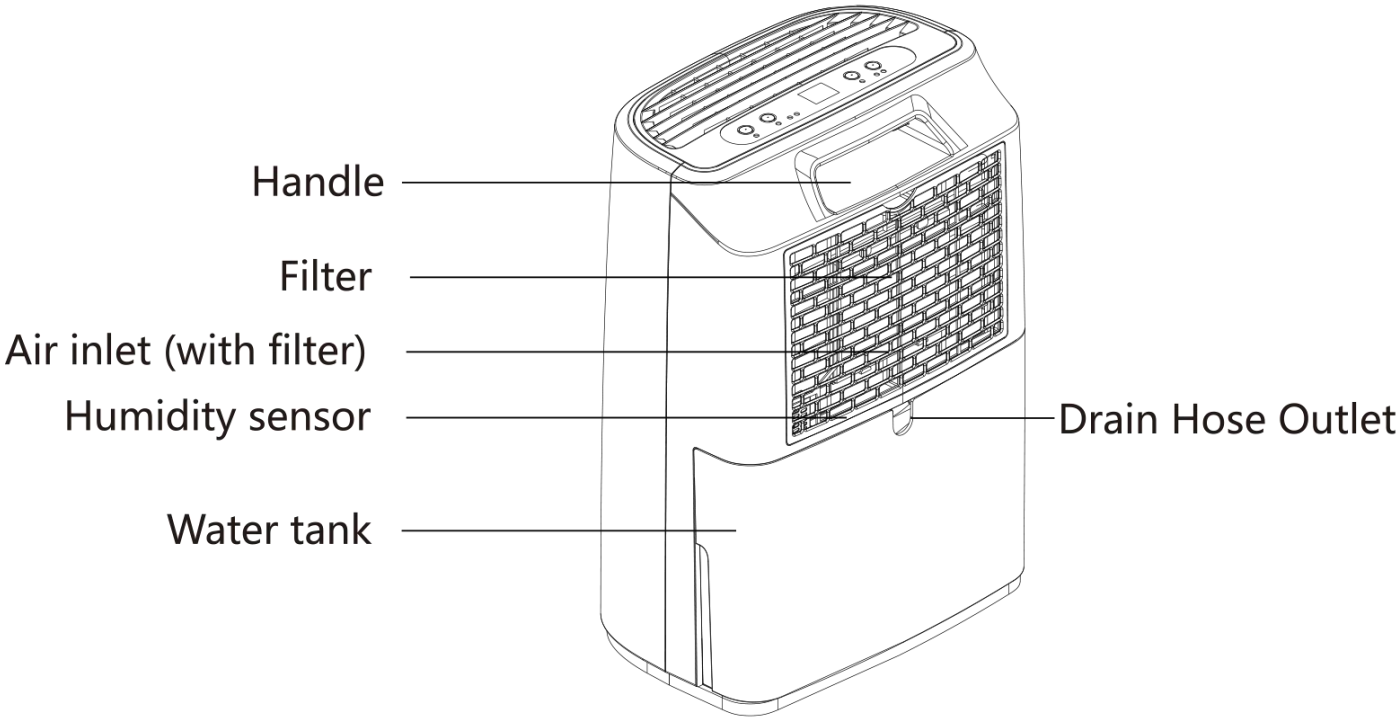
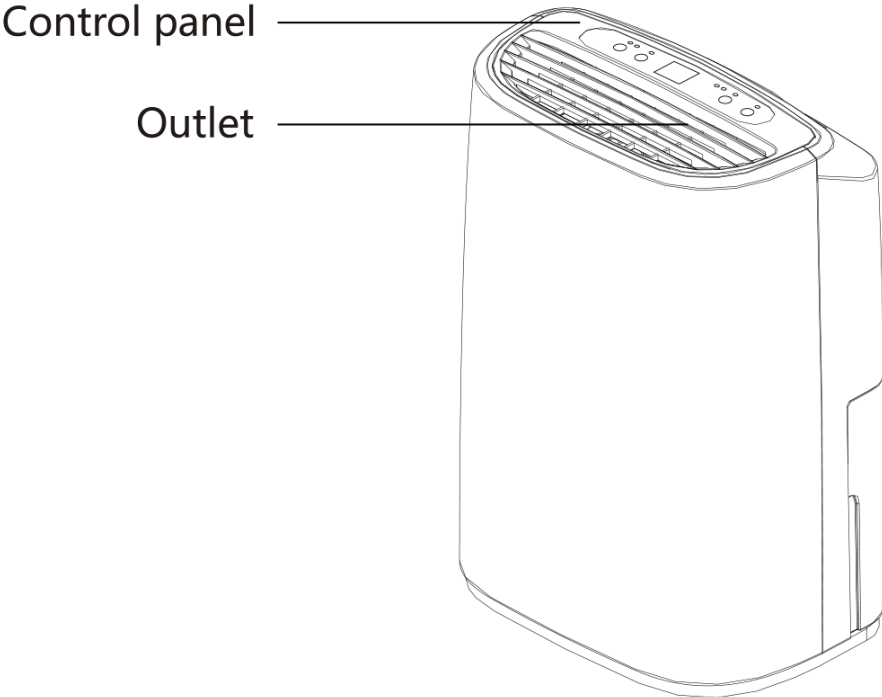
Warning

1. Do not place the dehumidifier near a heater. Do not use the dehumidifier near flammable gas or combustibles, such as gasoline, benzene, thinner, etc.
2. The dehumidifier shall be installed in accordance with national wiring regulations.
3. Always plug into a grounded outlet properly.
4. Do not use if the power cord is broken or damaged.
5. Do not use the socket if it is loose or damaged.
6. Do not modify power cord length or share the outlet with other dehumidifiers.
7. Never try to take apart or repair the dehumidifier by yourself.
8. Do not place a heavy object on the power cord and make sure that the cord is not compressed.
9. Do not place flower vases or other water containers on top of the dehumidifier.
11. Do not operate or turn off the dehumidifier by plugging in or unplugging the dehumidifier. Use the control panel instead.
12. Disconnect the power if strange sounds, odors, or smoke come from the dehumidifier.
13. Do not operate the dehumidifier with wet hands.
14. Make sure to turn off and unplug the dehumidifier before cleaning.
15. Do not clean the dehumidifier with water. If water enters the dehumidifier, turn off the dehumidifier immediately.
16. Care should be taken when using the dehumidifier in a room: infants, children, and the elderly.

Caution

1. Hold the plug by the head when taking it out.
2. Turn off and disconnect the power when not using the dehumidifier for a long time.
3. Install the dehumidifier properly on a floor, table, or shelf that is level and strong enough to support it when the water bucket is full.
4. Close all doors, windows and other outside openings to the room.
5. Use a soft cloth to clean. Do not use wax, thinner, or a strong detergent.
6. Be sure to replace the bucket properly after emptying to prevent water from dripping on the floor.
7. Do not climb on or sit on the dehumidifier.
8. Never insert your finger or other foreign objects into grills or openings. Take special care to warn children of these dangers.

Parts Identification

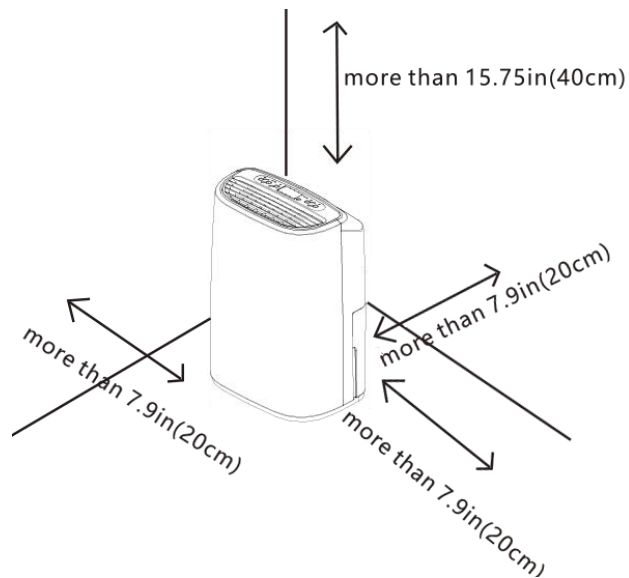


NOTE: Do not cover or block the air inlet or outlet.

Operation Instructions

1. Position Your Dehumidifier Properly

- Place the dehumidifier on a smooth, level floor that is strong enough to support the dehumidifier with a full bucket of water.
- To maintain efficiency, operate the dehumidifier in an enclosed area. Keep nearby doors and windows closed.
- Maintain a minimum clearance of 20 cm (7.9 inches) on the sides and back of the dehumidifier and 40 cm (15.75 inches) on the top of the dehumidifier to allow for proper air circulation.
- The functioning temperature range is between 5°C (41°F) and 35°C (95°F).
- Any time the dehumidifier is placed on its back or side, it must be allowed to stand upright for **24 hours** before plugging in to avoid damage to internal components.



2. Understand the Control Panel



Power Button and Indicator

Press the POWER button once to turn on/off the dehumidifier. When the dehumidifier has been turned off, the LCD screen turns blank.

The indicator above the POWER button will flash when the compressor has not kicked on. And it will turn to solid green when the compressor kicks on.

Note: When the POWER button indicator flashes, it typically means

- 1) The set humidity is not 3% lower than the room humidity;
- 2) The dehumidifier has dropped the room humidity level down to the set-point;
- 3) The dehumidifier is under the 3-minute delay protection state (*See details on Page 6 "3-Minute Delay Protection Mechanism").



Timer Button and Indicator

Use this TIMER button to set the timer function. The indicator light will turn on when the timer function is

active. When the timer function is enabled, pressing the TIMER button once could check the time remaining.

Defrost Indicator

The DEFROST indicator light will illuminate when the frost has accumulated on the interior of the dehumidifier. The dehumidifying function will cease until the frost has melted. And the defrosting indicator will go off when the dehumidifier has stopped defrosting. When defrosting is complete, the dehumidifier will restart to dehumidify automatically.

Note: The frequent defrost process indicates that the ambient temperature is too cold. Therefore, if the room temperature is lower than 60°F, please consider adding heat to promote proper drying.

Full Bucket Indicator

The FULL indicator light will illuminate when the bucket is full of water, as a reminder to empty the water bucket. Empty the bucket and re-install the bucket properly to resume regular functioning.

LCD Screen

- When no operation on the control panel, the LCD displays the inlet air humidity percentage value which is similar to the room humidity level. The room humidity reading is accurate within $\pm 5\%$.
- When you are setting the target humidity level, the LCD will turn to display the humidity setting value and flash.
- When you are setting the timer, the LCD will turn to display the timer setting value and flash.
- When the dehumidifier detects any system errors, the LCD will display an error code.



Setting Button

- Keep pressing the SETTING button to adjust the set humidity.
- The humidity can be set between 30-80% in 5% increments. For drier air, set the humidity to a lower number. For damper air, set the humidity to a higher number.



Speed Button and Indicator Light

Press the SPEED button to set the fan speed to low or high. If the HIGH indicator light is on, the fan is set to high speed. If the LOW indicator light is on, the fan is set to low speed.

3. General Operation

Note: This dehumidifier may have been tilted or placed upside down during shipping. To ensure this dehumidifier works properly, please ensure this dehumidifier is upright for at least **24 hours** before initial use.

Step 1: Plug the power cord into a properly grounded 110-120 volt AC outlet.

- Once plugged in, the control panel will light up for a second and then turn off. You'll need to press the POWER Button to turn the dehumidifiers on.
- If the "FULL" indicator is on, remove the bucket and re-install it properly.

Step 2: Press the POWER button to turn the dehumidifier on. The dehumidifier will run in the default setting of 30% set humidity at low fan speed. The LCD screen displays the room humidity reading.

Step 3: To set your desired humidity, press the SETTING button repeatedly to choose a value between 30%-80% in increments of 5%. After selecting the desired humidity percentage value, please wait for 5 seconds until the big

font digital number turns to statically display the room humidity level.

- The set humidity is recommended to be at least 10% lower than the room humidity level.
- If the set humidity level is 30, the dehumidifier will run continuously in CONTINUOUS Mode.
- Set the target humidity level between 35-80, the dehumidifier will run in Humidstat Mode. In Humidstat Mode, the dehumidifier will automatically STOP or RESTART based on the set-point to maintain the room humidity level within the range of $\pm 3\%$ of the set-point. For example, if the set humidity level is 50, the dehumidifier will stop dehumidifying when the room humidity reaches 47, and then restart when the room humidity raises back to 53.
- The dehumidifier will automatically stop either when the water bucket is full or when the room humidity is down to the set-point. (*See details on Page 6 "Auto Shut Off")

Step 4: To change the fan speed between HIGH and LOW, press the FAN button. The indicator light will show the setting you have selected. The higher fan speed will result in quicker moisture removal.

Step 5: To shut the dehumidifier down, press the POWER button again.

4. Timer Setting

The TIMER function enables you to either delay AUTO-ON or delay AUTO-OFF the dehumidifier in the choice from 1 hour to 24 hours.

- **Setting an AUTO-ON timer:** When the dehumidifier is off, selecting Timer will turn the dehumidifier on in the hours that will be set.
- **Setting an AUTO-OFF timer:** When the dehumidifier is running, selecting Timer will turn the dehumidifier off in the hours that will be set.

Follow the below steps to set the TIMER:

- 1) Press the TIMER button once, the TIMER indicator will illuminate and the LCD turn to display as **00** and flash;
- 2) Press the TIMER button repeatedly to change the delay timer at 1-hour increments, up to 24 hours;
- 3) After selecting the target timer value, wait for 5 seconds to let the setting be registered automatically;
- 4) After TIMER setting finishes, the control will count down the time remaining (8,7,6, etc.) until the dehumidifier either AUTO-ON or AUTO-OFF.
- 5) After timer function enabled, press the TIMER button again to check the time remaining.

Note:

- Before entering AUTO ON timer setting, turn on the dehumidifier to set a target humidity level first. Otherwise, the humidity maintained will be the same as the previous setting.
- You can only set AUTO ON timer when the dehumidifier is off or set AUTO OFF timer when the dehumidifier is on, but you will not be able to set both AUTO ON and AUTO OFF timer at the same time.
- The TIMER will ONLY function one time instead of cycling the dehumidifier on or off indefinitely.
- Before entering the TIMER setting, make sure power is being supplied to the dehumidifier.
- Set the timer 00, the timer function will not be activated.
- Once the dehumidifier has been turned ON/OFF manually, the pre-set AUTO ON/OFF timer setting will be canceled.

4. Smart Functions

Auto Shut Off

When the bucket is full and/or the humidity setting is reached, the dehumidifier will shut off automatically.

- 1) When the water bucket is full, the LCD will display an E7 code, the FULL indicator will illuminate and the dehumidifier will make a beep sound for a few seconds.
- 2) When the room humidity is down to the set-point, the power button indicator and the humidity reading on the LCD will flash.

3-Minute Delay Protection Mechanism

To avoid any damage to the dehumidifier, the dehumidifier will not start operation following a complete cycle until after 3 minutes, which is called the 3-minute delay protection mechanism. That is to say, it takes 3 minutes to restart the compressor when its operation has been interrupted. During this 3 minutes, only the fan is running, and the power button indicator will keep flickering until the compressor kicks in.

Auto Defrost

When the frost builds up on the evaporator coils, the compressor will cycle off and the fan will continue to run until the frost disappears. (* See details on Page 4 "Defrost Indicator".)

Auto-Restart

If the dehumidifier shuts off unexpectedly due to power being cut, the dehumidifier will restart with the previous function setting (set humidity and fan speed) automatically when the power resumes.

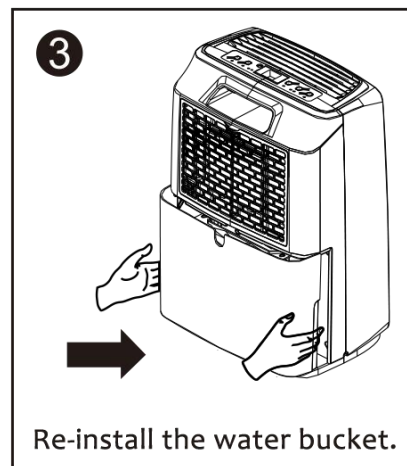
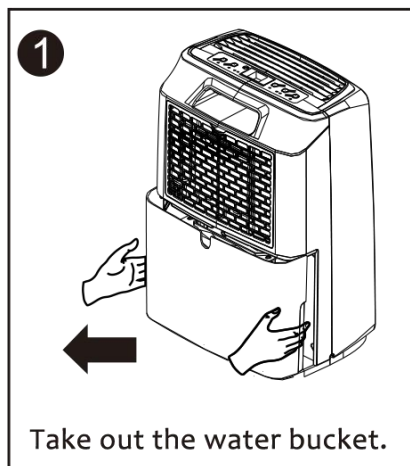
5. Removing Collected Water

1) Emptying the Water Bucket

When the bucket is full, the dehumidifier will automatically shut down and make a beep sound for 5 seconds. Meanwhile, the LCD will display an E7 error message and the FULL indicator will illuminate. Do not move the dehumidifier at this time in case the water spills on the floor.

To remove the bucket to empty the collected water:

- a. Gently remove the bucket from the dehumidifier by gripping both sides and pulling outward;
- b. Pour the condensate out from the side without float to prevent the float from being flushed away with water.
- c. Replace the water bucket in the dehumidifier. The dehumidifier will not function without the bucket being installed.

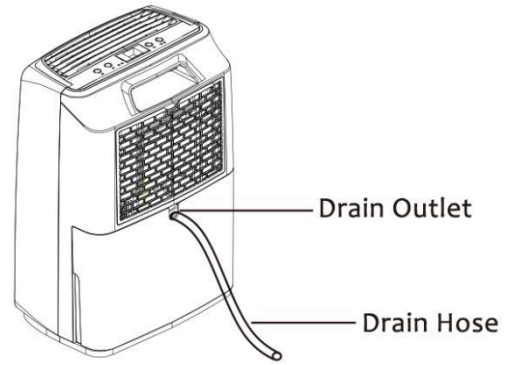


2) Continuous Draining

Water can be automatically emptied into a floor drain by attaching the included drain hose. (NOTE: You can use any other hoses with inner diameter of 0.39 inches instead.)

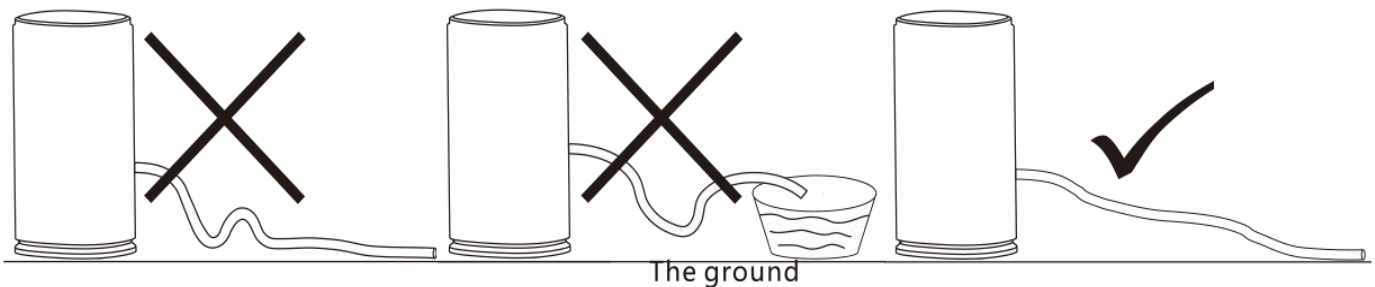
To Achieve Continuous Drain by Gravity:

- Remove the water bucket;
- Find the drain port on the back of the dehumidifier;
- Attach one end of drain hose to the drain port securely;
- Replace the water bucket in the dehumidifier properly;
- Direct the other end of the hose down to a suitable drainage facility, like a floor drain. The drainage facility should be lower than the drain outlet of the dehumidifier.



Note:

- Make sure the connection is tight and there is no leaking.
- Be sure to run the water hose sloping downward to let the water flow out smoothly. No kinks or bent.
- If the condensation water would be drained out to an external container via the hose, be sure NOT to submerge the other end of the hose into the drained out water.
- To improve gravity draining, you can raise the dehumidifier onto another higher and flat surface, like a table.
- It is recommended to use a short hose. If the drain hose is too long, water may not drain completely, which can lead to stagnant water and mildew build up inside the hose.
- When the continuous drain feature is not being used, remove the drain hose from the outlet.



Care & Cleaning

To avoid possible electric shock, ensure to turn the dehumidifier off and disconnect the plug from the power source before performing any cleaning or maintenance.

1. Clean the Vent and Case

- Use water and a mild detergent. Do not use bleach or abrasives.
- Do not splash water directly onto the dehumidifier. Doing so may cause an electric shock or the insulation to deteriorate, or cause the dehumidifier to rust.
- The air intake and outlet vents get soiled easily, so use a vacuum attachment or brush to clean.

2. Clean the Reservoir

- Every few weeks, clean the reservoir to prevent the growth of mold, mildew, and bacteria.
- Partially fill the reservoir with clean water and add a little mild detergent. Swish it around in the reservoir, empty and rinse.

NOTE: Do not clean the reservoir in a dishwasher.

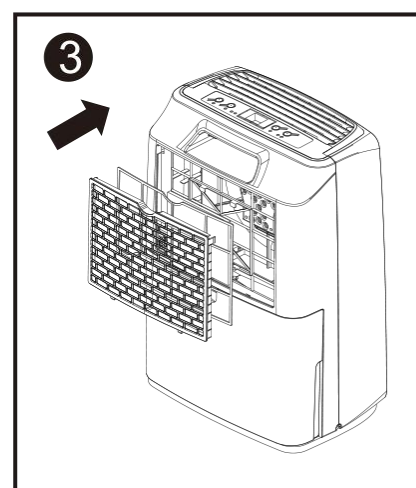
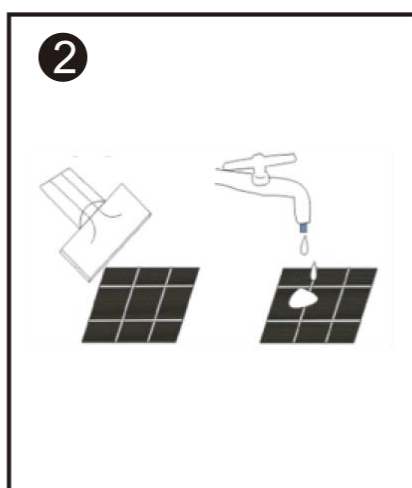
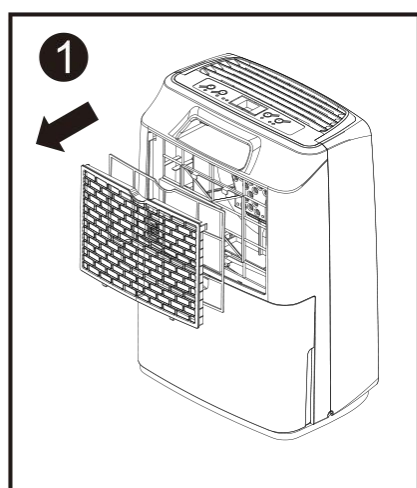
3. Clean the Air Filter

The air filter should be cleaned approximately every 2 weeks. The air filter may require more frequent cleaning if there is significant dander or fur in the air.

Follow the steps below to clean the filter:

- The air filter is located behind the rear intake grill. Remove the intake grill from the dehumidifier and take the filter out.
- Use a vacuum cleaner with a soft brush attachment to remove any large debris or dust build-up from the air filter.
- Wash the filter in lukewarm, soapy water, below 40°C (104°F), or use a neutral cleaning agent.
- Rinse the filter with clean water and dry thoroughly.
- Re-install the filter.

NOTE: DO NOT operate the dehumidifier without a filter because dirt and lint will clog it, reducing performance.



4. Store the Dehumidifier

When not using the dehumidifier for a long period, please follow the below steps to clean the dehumidifier and store it properly.

- Operate the dehumidifier on high fan mode for half a day, and then wait 1 day before emptying the reservoir.
- Clean the dehumidifier housing, water reservoir, and air filter. Ensure the whole dehumidifier is clean and dry.
- Take out the water bucket, put the plug and as possible cord into the water bucket, and then replace the bucket in the dehumidifier.
- Cover the dehumidifier with a plastic bag.
- Store the dehumidifier upright in a dry, well-ventilated place.

Troubleshooting

1. Error Codes

Error Code	Problem	Solution
E1	Humidity Malfunction	1. Check the humidity sensor and ensure it has been plugged in properly. 2. Replace the humidity sensor.
E2	Defrost Temperature Sensor Malfunction	1. Check the temperature sensor and ensure it has been plugged in properly. 2. Replace the humidity sensor.
E4	Inlet Temperature Sensor Malfunction	1. Check the temperature sensor and ensure it has been plugged in properly. 2. Replace the humidity sensor.
E7	Water bucket is full.	Empty the water bucket.
	The water bucket has not been installed properly.	Re-install the water bucket properly.
	Float Malfunction	Replace the float of the water bucket.

When E1, E2, or E4 error displays, you can hear an alarm that could last 15 seconds. In this case, the dehumidifier is still running. You can follow the below steps to eliminate the error message:

- Pressing any button on the control panel to eliminate the alarm.
- Turn off the dehumidifier and unplug it to check if any obstructions.
- Restart the dehumidifier 10 minutes later.

If the ERROR message does not disappear after the restart, immediately contact Inofia customer service at service@inofia.com.

2. Reset the Dehumidifier

Please try the below steps to reset the dehumidifier:

- 1) Turn the dehumidifier off;
- 2) Press and hold both the TIMER and SPEED button for 3 seconds, until dF flashes on the LCD screen;
- 3) Press the SETTING button once;
- 4) Wait for 5 seconds before any other operations.

3. Troubleshooting Chart

The below chart will help you solve common problems that may occur.

If the problem you come across can not be fixed after troubleshooting or the problem is not listed in the troubleshooting chart, please contact Inofia customer service to obtain professional support at service@inofia.com

Problem	Possible Causes	Solutions
Dehumidifier can not turn on	The power cord is unplugged.	Plug it in.
	The fuse is blown or circuit breaker is tripped.	Check the fuse or the circuit breaker.
Dehumidifier is on, but it does not run.	Water bucket is full or not in the proper position.	Make sure the water bucket is empty and has been installed properly.
	The room humidity has reached the set-point and the dehumidifier enters into Standby Mode where the power indicator and the LCD reading flash.	Set a lower humidity or let the dehumidifier keep standby.
	The room humidity is lower than set humidity, so the dehumidifier enters into Standby Mode where the power indicator and the LCD reading flash.	The set humidity needs to be at least 5% (recommend 10%) lower than room humidity.
	The dehumidifier is in the defrosting process.	It is normal the compressor ceases while defrosting process.
Insufficient dehumidifying	Insufficient dehumidifying time.	When first installed, allow at least 3-4 days to maintain the desired RH.
	The room has not been sealed properly.	Ensure that all doors, windows and other openings are closed.
	Air filter is dirty.	Clean the air filter.
	Air flow has been blocked.	Ensure there are no obstructions block the airflow.
	There is something giving off water vapor in the room.	Remove those items or turn off such devices that give off vapor in the room.
	Room temperature is low.	Heat up the room.
Dehumidifier operates continuously	The dehumidifier size is too small for application.	Increase the quantity of dehumidifier. Or change a higher capacity dehumidifier.
	Check if the dehumidifier is in CONTINUOUS MODE.	Don't set the humidity too low. Typically, 40-50% are good settings to use.
	Room humidity is too high.	Change humidity settings. Or change a higher capacity dehumidifier.
Noise	Doors and windows are open.	Ensure that all doors, windows and other openings are closed.
	The dehumidifier's not positioned level.	Position the dehumidifier on a level surface.
	The water bucket is not in proper position.	Re-install the water bucket properly.
Frost appears on the coils	The air filter is clogged.	Wash the filter.
	The dehumidifier has been turned on recently.	This is normal frost builds up on the coils, especially when the room temperature is low. The dehumidifier will defrost automatically.
Room temperature is close to or lower than 60°F.		
Water leakage	Hose connection is loose.	Check the hose connection. Try to attach the other end of the hose to the outlet.
Water does not drain from the hose	Hose connection is loose.	Check the hose connection. Try to attach the other end of the hose to the outlet.
	Water flow has been restricted.	Hoses more than 7 feet long may not drain properly. It is recommended to keep the hose as short as possible for proper draining. The hose must be placed lower than the bottom of the dehumidifier, and be kept flat and smooth without kinks.

Product Specifications

Inofia Dehumidifier		
Model No.	HD161A	
Power Source	AC 110-120V, 60 Hz	
Rated Power	200W	
Rated Current	2.0A	
Moisture Removal (65°F, RH 60%)	9 Pints/Day	
Moisture Removal (80°F, RH 60%)	14 Pints/Day	
Moisture Removal (86°F, RH 80%)	25 Pints/Day	
Moisture Removal (95°F, RH 90%)	32 Pints/Day	
Input Power (95°F, RH 90%)	120W	
Input Current (95°F, RH 90%)	1.1A	
IEF(65°F, RH 60%)	1.35 Liters/KWH	
Noise	Low Fan	42 dB (A)
	High Fan	46 dB (A)
Refrigerant	R134a (5.11 oz.)	
Motor FLA	0.19A	
Motor Compressor	RLA:1.75A; LRA:10.0A	
High Pressure	232 PSIG(1.6MPa)	
Low Pressure	90 PSIG(0.62MPa)	
Water Tank Capacity	1.8 L (0.48 Gallons)	
Dimension	12.2*8.3*17.3 inches	
Weight	23.8 lbs	

* The company reserves the right to change the product, and the above parameters are subject to change without notice.

Warranty Information

Inofia offers a limited 1-year warranty on all of our products, with original proof of purchase and where a defect has arisen, wholly or substantially, as a result of faulty manufacture, parts or workmanship during the warranty period.

The warranty does not apply where damage is caused by other factors, including without limitation: (a) normal wear and tear; (b) abuse, mishandling, accident, or failure to follow operating instructions; (c) exposure to liquid or infiltration of foreign particles; (d) servicing or modifications of the product other than by Inofia.

The Inofia warranty covers all costs related to restoring the proven defective product through repair or replacement of any defective part and necessary labor so that it conforms to its original specifications. A replacement may be provided instead of repairing a defective product. Inofia's exclusive obligation under this warranty is limited to such repair or replacement. If you have an issue with an Inofia product, please contact us at service@inofia.com, and we will do our best to resolve it for you.

These are our general terms for warranty service, but we always urge our customers to reach out to us with any issue, regardless of warranty terms.

Inofia

service@inofia.com