

IVATION™



MINI DEHUMIDIFIER User Manual

Introduction

Thank you for purchasing our Mini Dehumidifier, and welcome to the Ivation™ family. This user manual is meant to offer you a brief walkthrough of the device's features and usage protocols. We hope you find this manual helpful. For additional information and technical support, please feel encouraged to contact our help team at info@myivation.com.

Important Instructions

Intended Use

This device is intended for use in the removal of excess moisture from smaller rooms such as studies, walk-in closets and bathrooms. Other than the removable water tank, this device is not user serviceable and should not be disassembled. Any use other than that described above will lead to damage to the product and may present additional risks.

How Does it Work?

The Mini Dehumidifier works by way of thermoelectric cooling, which uses what's known as the Peltier effect to create a heat flux between the junction of two different types of materials. Using no compressors or moving parts, the device pulls moisture from the air around it, removing muskiness and dampness from the room.

Safety Instructions

If damage is incurred as a result of non-compliance with these operating instructions, manufacture's guarantee will be voided. Ivation™ assumes no liability for personal injury or damage to property caused by incorrect handling or non-observance of the safety instructions.

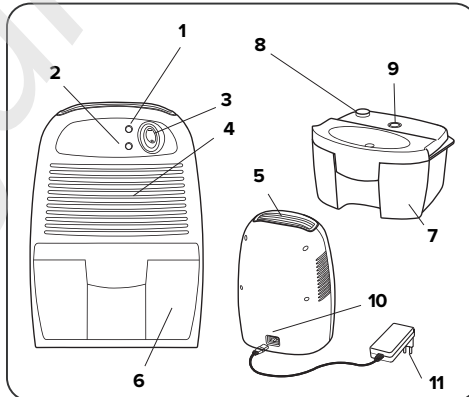
1. Keep unit in upright position whenever in use.
2. To avoid electric shock, avoid opening unit.
3. Always turn device off when not in use.
4. Avoid using power adapter in excessively wet area.
5. Ensure that inlet and outlet grilles are unobstructed.
6. Keep device away from reach of children.

Box Contents

- 1 x Mini Dehumidifier
- 1 x Water Tank
- 1 x Power Cord
- 1 x User Manual

Parts & Controls

- | | |
|-------------------------|-----------------------------------|
| 1. Green "On" LED | 7. Pull-Out Opening |
| 2. Yellow "Full" LED | 8. Water Displacement Hole w/Plug |
| 3. On/Off Switch | 9. Hydraulic Cut-Off |
| 4. Air Inlet Grill | 10. DC Power Socket |
| 5. Dry Air Outlet Grill | 11. AC/DC Power Adapter |
| 6. Removable Water Tank | |



Operation

Basics:

- To remove excess moisture from small rooms, place Mini Dehumidifier in preferred area.
- Insert smaller end of AC/DC Power Adapter (#11) into DC Power Socket (#10).
- Connect other end to wall socket.
- Toggle On/Off Switch (#3) to On position.
- To turn unit off at any time, toggle On/Off Switch (#3) to Off position first, then unplug DC Power Adapter (#11).

Emptying Water Tank:

- The Mini Dehumidifier will automatically turn off once tank is full.
- The Yellow "Full" LED (#2) will turn on.
- Before removing water tank, toggle On/Off Switch (#3) to Off position.
- Insert two fingers into Pull-Out Opening (#7) and gently pull out.
- Pull out plug from Water Displacement Hole (#8).
- Pour collected water out from tank into sink or toilet.
- Reinsert plug and slide tank back into device until it clicks.
- Device is now ready for use again.

Technical Specifications

- Capacity: Approximately 8.5 Ounces/Day at 86°F, 80% RH
- Water Tank Capacity: 17 Ounces
- Cooling Element: Thermoelectric Peltier Module
- Fan: 80mm x 80mm Brushless Motor
- Power Adapter: 9v DC 2.5Amp
- Power Consumption: 22.5w
- Water Level Detector: Auto-Off When Full w/Yellow "Full" LED
- Working Environment: Over 59°F, Over 40% RH
- Dimensions: 6.06" x 8.58" x 5.11"
- Cord Length: 40" (3' 4")

Maintenance

Always turn Mini Dehumidifier off and disconnect power cord before cleaning unit. Use a piece of soft cloth to clean product surface, or use soft-bristled brush to wipe dust off air inlet grills.



IVATION HOME

Distributed by
C&A Marketing, Inc.
2 Bergen Turnpike
Ridgefield Park, NJ 07650
info@myivation.com
MADE IN CHINA
IVATION is a trademark of
C&A IP Holdings, LLC
©2014 All Rights Reserved