



Thermo-Electric Dehumidifier

User Guide

IVAGDM30



Thank you for purchasing the Ivation thermo-electric dehumidifier. This User Guide is intended to provide you with guidelines to ensure that operation of this product is safe and does not pose risk to the user. Any use that does not conform to the guidelines described in this User Guide may void the limited warranty.

Please read all directions before using the product and retain this guide for reference. This product is intended for household use only.

This product is covered by a limited one-year warranty. Coverage is subject to limits and exclusions. See warranty for details.

Use the Ivation thermo-electric dehumidifier to remove up to 50 fl. oz. of moisture from bathrooms, bedrooms, and more, reducing the risk of mold and mildew. This compact and lightweight unit features Peltier technology, making it quiet and efficient.

Package Contents

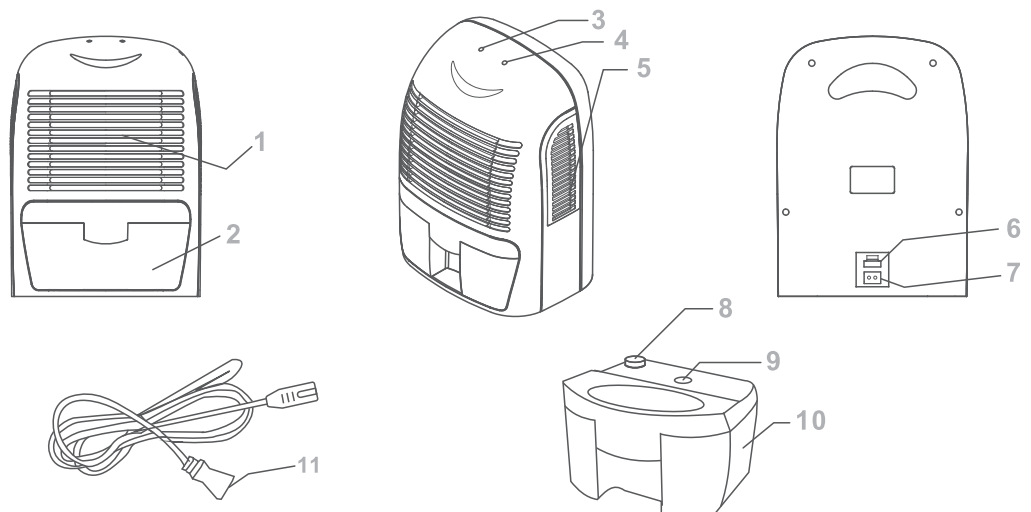
Dehumidifier

Power cord

User guide

Parts

1. Air intake vent
2. Water reservoir
3. Green "on" light
4. Yellow "full" light
5. Air outlet vent
6. ON/OFF switch
7. AC power socket
8. Drain hole
9. Hydraulic cut-off
10. Water reservoir
11. Power cord



Safety Precautions

- Always turn the device off when not in use.
- To reduce the risk of electric shock, do not place the power cord in a place where it may become wet or damp.
- Always ensure that the front air inlet vent and side air outlet vent are not blocked by walls or other objects.
- To avoid leakage, always keep the dehumidifier in an upright position.

Operation

1. Connect the power cord to the dehumidifier and a grounded socket.
2. Turn the dehumidifier on using the ON / OFF switch. The green light will turn on and a light breeze will begin to blow out of the air outlet vent.
3. To turn the machine off, switch the ON / OFF switch to the OFF position.

To remove water from the reservoir

1. Turn off the dehumidifier before removing the water reservoir. Note that when the water reservoir is full (approximately 50 fl. oz.) the yellow "full" light will turn on and the unit will automatically power off.
2. Remove the water reservoir from the unit and pull out the rubber plug on the drain hole.
3. Empty the water from the drain hole.
4. Replace the rubber plug and place the water reservoir securely back into the dehumidifier.

Care and Maintenance

- Always turn the dehumidifier off and unplug from the wall before cleaning the unit.
- Use a soft cloth to wipe away any dust or debris from the surface of the unit and air inlet and outlet vents.

Specifications

Collection capacity: approximately 16 fl. oz. (500ml) per day at 86°F (30°C) 80%RH

Cooling element: thermo-electric Peltier module

Water reservoir capacity: approximately 50 fl. oz.

Voltage: AC100-240V

Dimensions: 8.6" x 6.3" x 11.8" (220 x 160 x 300mm)

Weight: 4.4 lbs. (2kg)

Customer Service

Email: info@myivation.com

Phone: 866-849-3049

info@myivation.com

Made in China
Ivation is a trademark of
C&A IP Holdings, LLC
©2016 All rights reserved

Distributed by
C&A Marketing, Inc.
114 Tived Lane East
Edison, NJ 08837 USA

C&A Marketing UK LTD
167 Hermitage Road
Crusader Industrial Estate
London N4 1LZ, UK