



ENGLISH

ESPAÑOL

FRANÇAIS

OWNER'S MANUAL DEHUMIDIFIER

Read this manual carefully before operating the appliance and retain it for future reference.

Model : UD701KOG1,UD701KOG3



P/NO : MFL63261223

Rev.00_101816

www.lg.com

TABLE OF CONTENTS

1 SAFETY INSTRUCTIONS

1 IMPORTANT SAFETY INSTRUCTIONS

4 PRODUCT OVERVIEW

4 Front

4 Back

5 BEFORE USE

6 OPERATION

6 Control Panel and Display

7 Dehumidifying

7 Setting the Timer

7 Safety Standby Light

7 Bucket Full Light

8 Checking the Filter

8 Auto Defrosting

8 Continuous Drainage Setup

9 Emptying the Water Bucket

10 MAINTENANCE

10 Cleaning the Exterior

10 Cleaning the Water Bucket

11 Cleaning the Air Filter

12 Storing the Product

13 TROUBLESHOOTING

SAFETY INSTRUCTIONS

READ ALL INSTRUCTIONS BEFORE USE

Your safety and the safety of others are very important.

We have provided many important safety messages in this manual and on the appliance. Always read and follow all safety messages.

This is the safety alert symbol.



This symbol alerts you to potential hazards that can kill or injure you and others. All safety messages will follow the safety alert symbol and either the word WARNING or CAUTION.

These words mean:



WARNING

Failure to follow the instructions could result in death or serious injury.



CAUTION

Failure to follow the instructions could result in personal injury or property damage.

IMPORTANT SAFETY INSTRUCTIONS



WARNING

To reduce the risk of explosion, fire, death, electric shock, scalding, or injury to persons when using this appliance, follow basic precautions, including the following:

INSTALLATION

- Adhere to all industry recommended safety procedures including the use of long-sleeved gloves and safety glasses.
- Never attempt to operate this appliance if it is damaged, malfunctioning, partially disassembled, or has missing or broken parts, including a damaged cord or plug.
- Do not, under any circumstances, cut or remove the third (ground) prong from the power cord.
- When installing or moving the appliance, be careful not to pinch, crush, or damage the power cord.
- Keep packing materials out of the reach of children. Packaging material can be dangerous for children. There is a risk of suffocation.
- Destroy the carton, plastic bag, and other packing materials after the appliance is unpacked. Children might use them for play. Cartons covered with rugs, bedspreads, or plastic sheets can become airtight chambers.
- Store and install the appliance where it will not be exposed to temperatures below freezing or exposed to outdoor weather conditions.
- Do not damage, alter, excessively bend, twist, pull, pinch or heat the power cord.
- Call an authorized service technician to repair or immediately replace all power cords that have become damaged. Do not use a cord that shows cracks or abrasion damage along its length or at either end.
- Do not use multiple-outlet adaptors with this dehumidifier.
- Do not use the product if the outlet is damaged or loose.

2 SAFETY INSTRUCTIONS

- In the event of a gas leak (propane gas, LP gas, etc.) do not operate this or any other appliance. Open a window or door to ventilate the area immediately.
- Do not disassemble, repair or modify the product.
- Do not store or use flammable gases or materials near the dehumidifier.
- This appliance is not intended for use by persons (including children) with reduced physical, sensory or mental capabilities, or lack of experience and knowledge, unless they have been given supervision or instruction concerning use of the appliance by person responsible for their safety.
Do not allow children to play on or with the appliance. Close supervision of children is necessary when the appliance is used near children.

OPERATION

- Read all instructions before using the appliance and save these instructions.
- Do not tamper with controls.
- If the product has been submerged, contact an LG Electronics customer information center for instructions before resuming use.
- Push the power plug all the way into the wall outlet so that it is not loose.
- Do not grasp the power cord or touch the appliance controls with wet hands.
- Do not modify or extend the power cord.
- If the product makes a strange noise or emits a smell or smoke, pull the power plug out and contact an LG Electronics customer information center.
- Avoid placing the dehumidifier or other heavy objects on top of the power cord.
- Do not use water to clean the dehumidifier.
- Keep the air inlet and outlet free from obstructions.
- Do not cover the power cord with a rug or carpeting.
Placing heavy objects on top of the cord could damage it.
- Do not place combustion appliances directly in the path of the dehumidifier's airway.
Doing so could result in incomplete combustion or deformation by heat.
- Keep the product away from fire.
- Do not use the product in places where it could be splashed by water.
- Do not insert fingers, sticks etc. into the air inlet or outlet.
The fan is running at high speeds and could cause personal injuries.
- Do not repair or replace any part of the appliance. All repairs and servicing must be performed by qualified service personnel unless specifically recommended in this owner's manual. Use only authorized factory parts.
- California Safe Drinking Water and Toxic Enforcement Act
This product contains chemicals known to the State of California to cause cancer and birth defects or other reproductive harm. *Wash hands after handling.*
- Connect to a properly rated, protected, and sized power circuit to avoid electrical overload.

CAUTION

To reduce the risk of injury to persons, malfunction, or damage to the product or property when using the appliance, follow basic safety precautions, including the following:

INSTALLATION

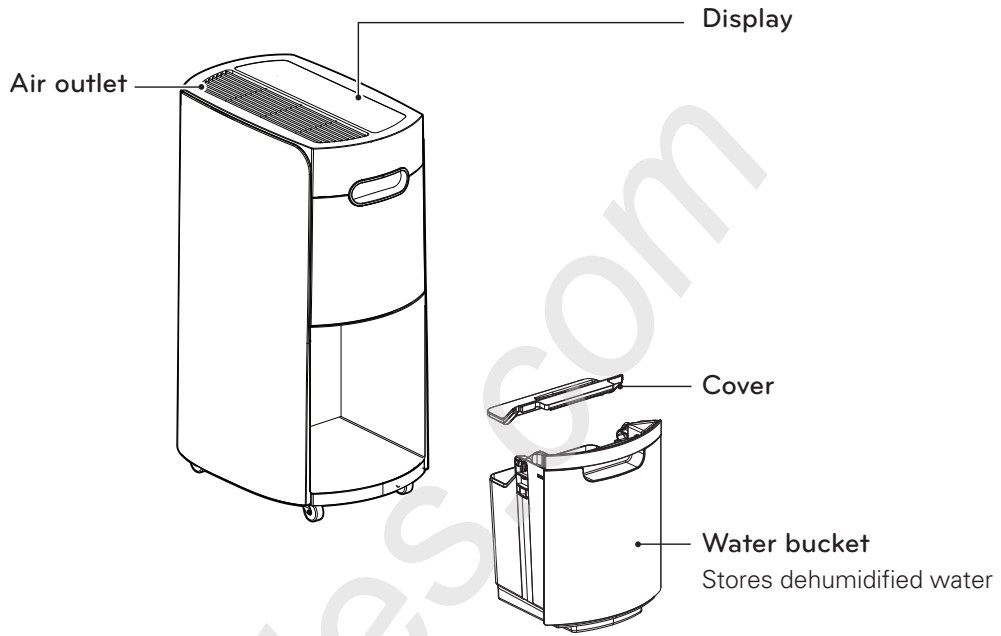
- **Use this appliance only for its intended purpose.**
This product is not designed for preserving precision instruments, tableware or art works.
- **Use the appliance only in a well-ventilated area.**
Keep the area well ventilated, especially if also using a combustion appliance. Inadequate ventilation reduces the oxygen level in the air.
- **Never unplug the appliance by pulling on the power cord. Always grip the plug firmly and pull straight out from the outlet.**
- **Do not use the product in places where chemicals are used.**
Chemicals and solvents dissolved in the air in places such as hospitals, factories, laboratories and hair salons could cause product deformation and leaking, resulting in property damage.
- **Turn off the dehumidifier and pull out the power plug before cleaning.**
Wait for the fan to stop moving.
- **Do not operate the dehumidifier without a filter.**
Using the product without a filter could result in a reduced product lifespan, electric shock or injury.

OPERATION

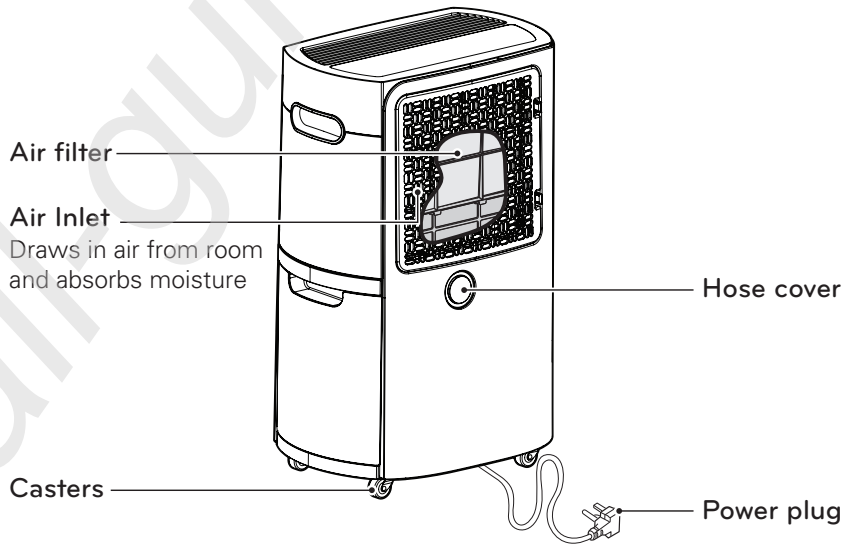
- Do not use the product for preserving animals/plants, precision instruments, art works etc.
- Do not place vases or water jars on the dehumidifier.
- Turn off the dehumidifier and empty the water bucket before moving the dehumidifier.
- Pull out the power plug if you will not be using the product for an extended period.
- Do not use the product in a very small space such as a closet.
Poor ventilation could result in overheating or fire.
- Do not use wax, thinner or a strong detergent when cleaning. Wipe the product using a soft cloth.
Using inappropriate cleaning products could cause the product to become discolored or develop surface flaws.
- Do not use the product in direct sunlight or rain.
- Do not touch the product with wet hands.
- Position the product on a firm, stable surface.
- Remove cable ties and extend power cord before use.
- Do not spray foreign substances or water on the product.

PRODUCT OVERVIEW

Front



Back



Power cord and plug may differ depending on the country where the product is purchased.

BEFORE USE

Indoor temperature and relative humidity affect dehumidification.

- Dehumidification is decreased if the temperature or relative humidity is low.
- The product does not operate unless the desired humidity level is lower than the current humidity level.

This product operates at temperatures from 41 ° F - 90 ° F (5 ° C - 32 ° C).

- At temperatures of 32 ° F (0 ° C) or less, water freezes inside the product.
- At temperatures over 90 ° F (32 ° C), the internal temperature of the product trips a protective device which deactivates the product to avoid product damage.

When the dehumidifier is operating, the indoor temperature will rise.

- The dehumidifier does not have a cooling/heating function.
- Heat is generated during operation, so the room temperature may be increased by about 37 ° F (3 ° C) depending on the usage conditions (indoor temperature, size of the room).

The compressor has a 3-minute delay before restarting.

- If the product is stopped and immediately restarted, to protect the compressor there is a 3-minute delay until the compressor restarts.

The product cannot be operated continuously for more than 23 hours.

After 23 hours of continuous operation, the compressor automatically shuts off for one hour to prevent product damage. The compressor will restart after one hour. This Safety Standby function is normal.

Install the product at least 11¹³/₁₆" (30 cm) from walls or other obstacles.

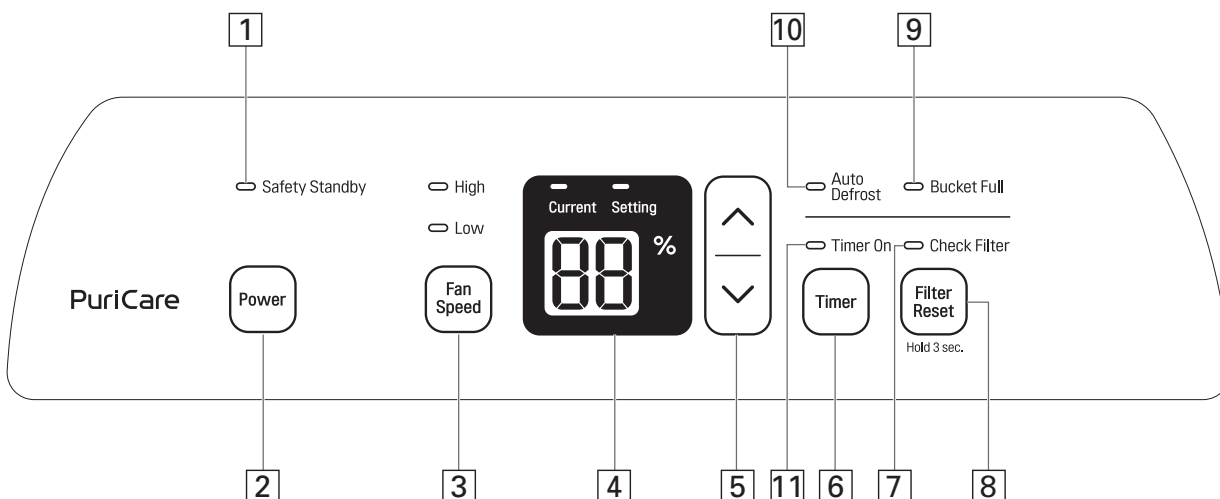
The product needs clearance for air intake and exhaust purposes.

There may be water in the drain water bucket before first use.

Water may remain in the drain water bucket from the product's outgoing inspection to check operation. This is normal.





OPERATION


Control Panel and Display



1	Safety Standby light (red)	After 23 hours of continuous operation, the red lamp lights up for 1 hour.
2	Power button	Starts and stops the product.
3	Fan Speed control button	Adjusts the fan speed and air volume.
4	Humidity display	Displays the current humidity (25-90%) and the humidity setting (30-80%).
5	Humidity control button	Adjusts the humidity setting. Desired humidity levels can be set in 5-percent increments from 30-80%.
6	Timer button	Sets a time for the product to automatically turn off. Press the button repeatedly to increase the time until shutoff in 1-hour increments up to 12 hours.
7	Check Filter light	Lights up after 350 hours of operation. Check and clean the filter.
8	Filter Reset button	After cleaning the filter, press for three seconds to reset operating time.
9	Bucket Full light	Lights up when drain water bucket is full.
10	Auto Defrost light	Lights up when the product is defrosting.
11	Timer On light	Lights up when the Timer function is set.

Dehumidifying




- 1 Press  to turn on the power.
 - It takes 30 minutes of continuous operation to reach the desired humidity level the first time the product is used.
 - The display shows the current humidity level.
- 2 Press  /  to change humidity.
 - The desired humidity level can be set in 5-percent increments from 30-80%.
 - The display shows the desired humidity level while it is being set, then reverts to the current humidity level after 5 seconds.
 - The current humidity level is displayed in 5-percent increments from 25-90%. If the humidity level is outside the range, the display continues to show either 25% or 90%.
- 3 Press  to change the fan speed.

The fan speed has two levels: low or high.
- 4 Press  to turn off the product.

! NOTE

- If the product is restarted immediately after being shut down, to protect the compressor there is a 3-minute delay until the compressor begins operating.
- It is normal for the compressor to cause the product to vibrate while starting or stopping.

Setting the Timer

- 1 Press  to turn on the power.
- 2 Press  to set the automatic shut off time.
 - Press the button repeatedly to increase the time until shut off in 1-hour increments up to 12 hours.
- 3 Press  to cancel the Timer function.
 - Press the Timer button repeatedly until the Timer light turns off.

! NOTE

Empty the drain water bucket before setting the Timer function.

If the water bucket becomes full during the Timer function, the Bucket Full light goes on and dehumidification stops.

Safety Standby Light


- After 23 hours of continuous operation, the red Safety Standby light turns on for one hour and the fan and compressor shut off to prevent product malfunction.
- After an hour with the fan and compressor shut off, the Safety Standby light turns off and the fan and compressor automatically restart.

Bucket Full Light

- Empty the water bucket within three minutes of the Bucket Full light turning on.
- After the light turns on, the fan operates for an additional three minutes to remove remaining condensed water and then the product shuts off.
- See Emptying the Water Bucket for further instructions.

Checking the Filter

Check and clean the filter when the Check Filter light turns on.

- 1 After 350 hours of operation, the Check Filter light turns on. Check the filter and clean it if necessary or wait 24 hours for the light to go off automatically.
- 2 After cleaning the filter, press and hold  for three seconds to reset the operating time.

Auto Defrosting

The Auto Defrost function automatically removes any frost in the heat exchanger caused by low indoor temperatures.

- The Auto Defrost light turns on while the product automatically defrosts the heat exchanger.
- The compressor stops during the automatic defrost function.

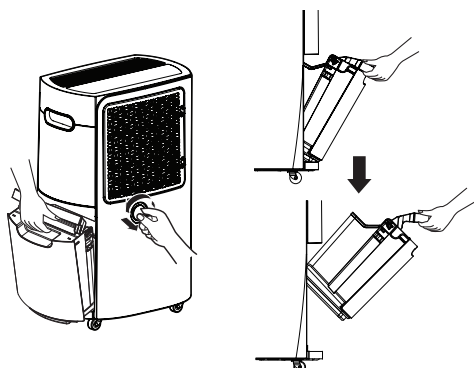


Continuous Drainage Setup

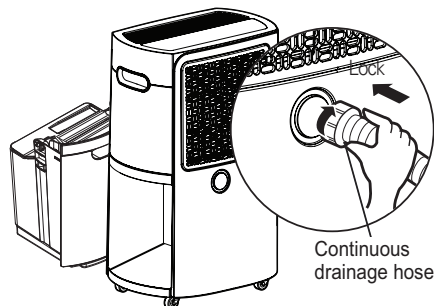
Items Needed:

3/4" (outer diameter) threaded garden hose nearby sink or drain.

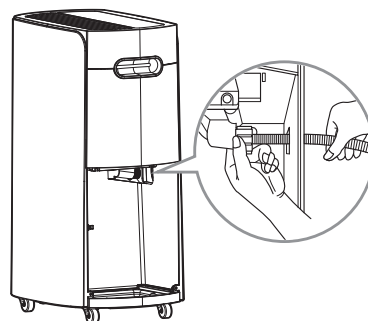
- 1 Unplug the product. Turn the hose cover at the back of the product counterclockwise to open it.
- 2 Remove the water bucket.



- 3 Insert the garden hose in the drain hole at the rear of the case.



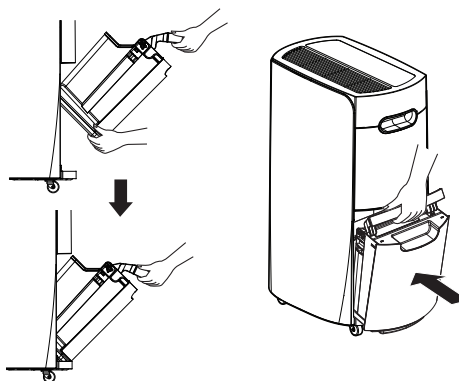
- 4 Turn the end of the garden hose clockwise to attach it to the male connection behind the water bucket. Firmly attach the hose to avoid leaks. Hand tighten; then make an additional 1/8 turn with pliers.



! CAUTION

Take care not to injure hands while connecting drainage hose.

- 5 Reinstall the water bucket.

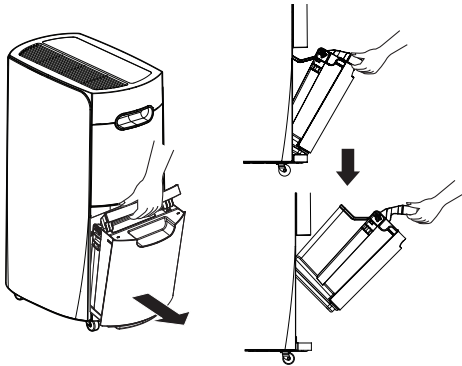


! NOTE

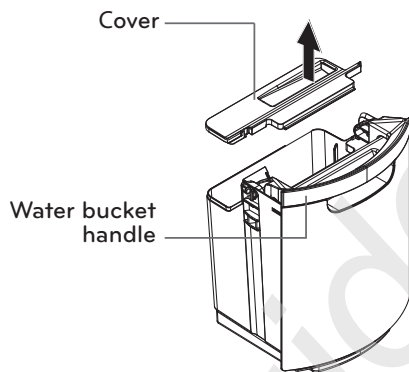
- The product does not work without the water bucket installed.
- A hose for continuous drainage can be purchased through the LG customer information center.

Emptying the Water Bucket

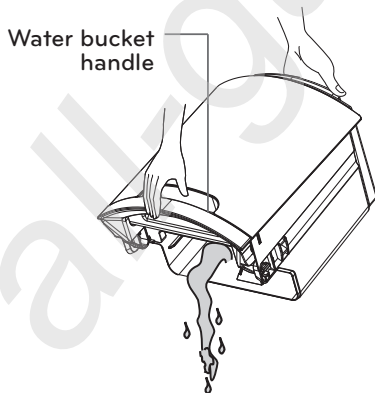
- 1 Gently pull the top handle of the water bucket to remove the bucket from the product.



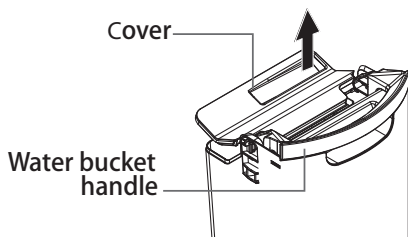
- 2 Lift off the cover of the water bucket.



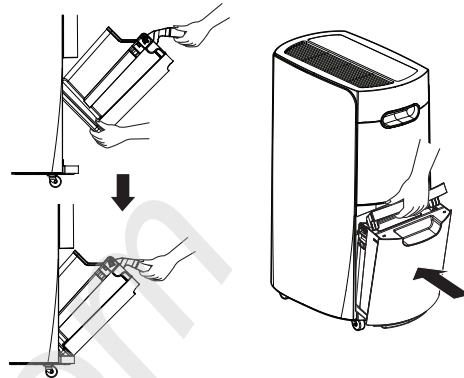
- 3 Pour out the water inside the water bucket.



- 4 Put the cover back on the water bucket.



- 5 Angle the bottom of the water bucket into place first, then push the top into place.

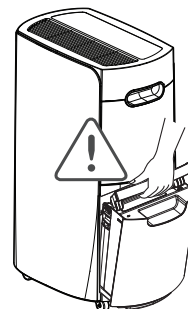


NOTE

- If the water bucket is removed immediately after turning off the dehumidifier, the water remaining in the heat exchanger may drip inside the water bucket storage area. Remove the water with a soft cloth.
- While cleaning, do not touch the water detection device on the inside top of the water bucket storage area.
- Clean the water bucket once a week during use.
- If the ambient temperature is low, there is less moisture in the air for the product to remove.
- Unplug the product before removing the water bucket. If the bucket is removed while the product is operating, the compressor stops. The fan operates for another three minutes to clear the remaining water inside the heat exchanger and then also stops.

CAUTION

Watch pinch points to avoid injuring fingers when installing the water bucket.



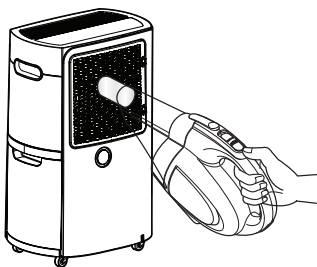
MAINTENANCE

Cleaning the Exterior

Wipe the exterior of the dehumidifier with a soft, damp cloth.

- Do not spray water directly on the product. Doing so may cause damage to the insulation or stains on the surface of the product.

Use a vacuum cleaner or soft brush to remove dust from the filter case.

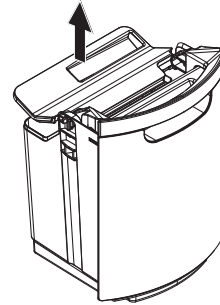


! CAUTION

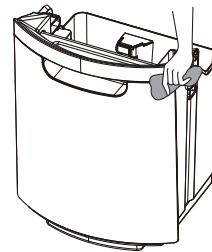
Do not use materials such as thinners, benzene, acid, or sponges to clean the product. They may damage the surface of the product.

Cleaning the Water Bucket

- 1 Lift off the cover of the bucket.



- 2 Empty the water bucket and use a soft cloth to remove any remaining moisture inside it.



! CAUTION

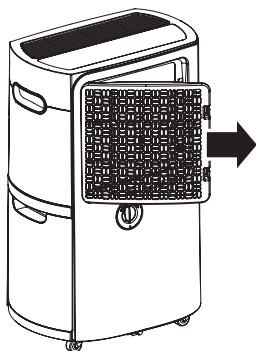
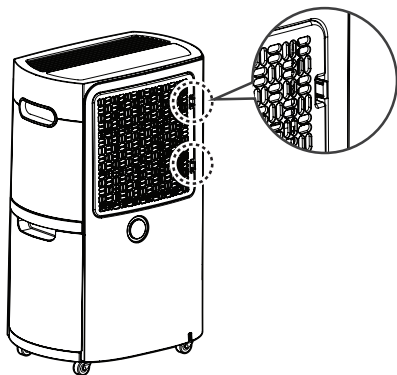
Operating the product with the cover of the water bucket missing or assembled improperly may result in leaking.

Cleaning the Air Filter

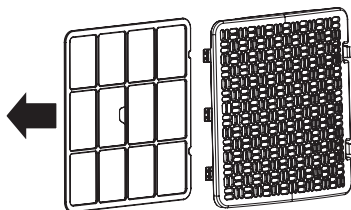
⚠ CAUTION

- Unplug the unit before cleaning it.
- Allow the filter to dry completely, out of direct sunlight, before reinserting it in the product. Operating the product with a damp filter may cause product failure.

- 1 Release the two hooks at the right of the filter case and swing it open to remove it.

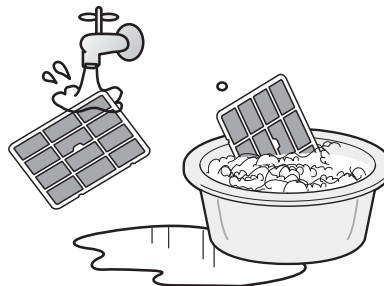


- 2 Pull the center tab on the air filter to remove it from the filter case.



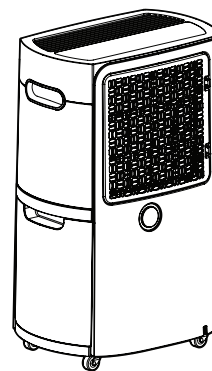
- 3 Clean the air filter with a vacuum cleaner or soft brush.

- If the filter is very dirty, wash it in water and a neutral detergent.
- Clean the air filter once a month.



- 4 Bend the sides of the air filter inward slightly to reinsert it. Make sure the filter is seated under the tabs inside the filter case.

- 5 Align the hinges on the filter case with the hinge openings on the product and then swing the case to the right to reattach the two hooks.



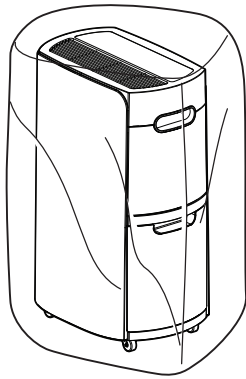
⚠ NOTE

Service calls to clean the air filter are not covered under the product warranty.

Storing the Product

- 1 Unplug the product.
- 2 Empty the water bucket completely.
 - Remove the lid from the water bucket and use a soft cloth to wipe up any remaining water in the bucket.
- 3 Clean the filter.
 - Let the filter thoroughly dry for several hours in a shaded, well-ventilated area before reinstalling it.
 - Placing the filter in direct sunlight or near a fire may cause product deformation.
- 4 **While the filter is drying, place the dehumidifier out of direct sunlight in a well-ventilated area and allow it to thoroughly dry for several hours. Reinstall the filter and cover the dehumidifier before storing it in an upright position.**

(A dust cover for storing the dehumidifier is not included.)



TROUBLESHOOTING

If the product does not function properly or does not function at all, check the following before calling for service.

Problem	Possible Cause	Solutions
The product is not running.	<ul style="list-style-type: none"> - Power plug not inserted correctly. - Power outage. - Water bucket not installed properly. - Bucket Full light is on. - Auto Defrost light is on. - Set humidity level is higher than room humidity level. 	<ul style="list-style-type: none"> - Insert the power plug. - Check other appliances. - Install the water bucket correctly. - Empty the water bucket. - Press the Power button when Auto Defrost ends. - Set the desired humidity level below the current humidity level of the room.
There is little dehumidification.	<ul style="list-style-type: none"> - Room temperature or humidity level is too low. - Air inlet or outlet is blocked. 	<ul style="list-style-type: none"> - Check the target humidity. - It is normal for less dehumidification to take place in the winter and in dry areas. - Remove the obstruction. - Clean the filter.
Humidity does not seem to decrease much even though the product is running.	<ul style="list-style-type: none"> - Door or window is open. - Room is too large for capacity of dehumidifier. - Product is placed near a steam-producing appliance. 	<ul style="list-style-type: none"> - Close the door/window. - Use the dehumidifier in an adequately sized room. - Do not use the dehumidifier near appliances which produce steam.
The displayed humidity level is incorrect.	<ul style="list-style-type: none"> - The air intake and exhaust of the dehumidifier are obstructed. - The dehumidifier is placed too far from the humid area. 	<ul style="list-style-type: none"> - Keep the dehumidifier away from walls or other large obstructions. - The dehumidifier's display shows the humidity level in its current position, which may be different from the level in other positions.
Water is dripping from within the product when water bucket is removed.	<ul style="list-style-type: none"> - Water bucket was removed while the product was in operation. 	<ul style="list-style-type: none"> - Turn off the product before removing the water bucket. - Clean off any drips with a soft cloth.

Call for service immediately in the following situations.

1. Power cord is too hot or damaged.
2. The product continues to operate when the water bucket is full, overflowing the bucket.

LG DEHUMIDIFIER LIMITED WARRANTY - USA

WHAT THIS WARRANTY COVERS:

LG Electronics U.S.A., Inc. ("LG") warrants your LG Dehumidifier ("product") against defect in materials or workmanship under normal household use, during the warranty period set forth below, LG will, at its option, repair or replace the product. This limited warranty is valid only to the original retail purchaser of the product, is not assignable or transferrable to any subsequent purchaser or user, and applies only when the product is purchased through an LG authorized dealer or distributor and used within the United States ("U.S.") including U.S. Territories.

Note: Replacement products and repair parts may be new or factory-remanufactured and are warranted for the remaining portion of the original unit's warranty period or ninety (90) days, whichever is longer. Please retain dated receipt or delivery ticket as evidence of the Date of Purchase for proof of warranty (you may be required to submit a copy to LG or authorized representative).

WARRANTY PERIOD:

1 years from the Date of Purchase: **Any internal/ functional Parts and Labor.**

HOW SERVICE IS HANDLED: In-Home Service

In-home service will be provided during the warranty period subject to availability within the United States. In-home service may not be available in all areas. To receive in-home service, the product must be unobstructed and accessible to service personnel. If during in-home service repair cannot be completed, it may be necessary to remove, repair and return the product. If in-home service is unavailable, LG may elect, at our option, to provide for transportation of our choice to and from a LG authorized service center.

THIS LIMITED WARRANTY DOES NOT COVER:

1. Service trips to deliver, pick up, or install the product or for instruction on product use.
2. Replacing house fuses or resetting of circuit breakers, correction of house wiring or plumbing, or correction of product installation.
3. Damage or failure caused by leaky/ broken/ frozen water pipes, restricted drain lines, inadequate or interrupted water supply or inadequate supply of air.
4. Damage or failure caused by accidents, pests and vermin, lightning, wind, fire, floods or acts of God.
5. Damage or failure resulting from misuse, abuse, improper installation, repair or maintenance. Improper repair includes use of parts not approved or specified by LG.
6. Damage or failure caused by unauthorized modification or alteration to the product.
7. Damage or failure caused by incorrect electrical current, voltage, or plumbing codes.
8. Cosmetic damage, including scratches, dents, chips or other damage to the finish of the product, unless such damage results from defects in materials or workmanship and is reported to LG within seven (7) calendar days from the date of delivery.
9. Damage or missing items to any display, open box, discounted, or refurbished product.
10. Product where the original factory serial numbers have been removed, defaced or changed in any way.
11. Repairs when product is used in other than normal and usual household use (e.g. rental, commercial use, offices, or recreational facilities) or contrary to the instructions outlined in the owner's manual.
12. The removal and reinstallation of the Product if it is installed in an inaccessible location.

THIS WARRANTY IS IN LIEU OF ANY OTHER WARRANTY, EXPRESS OR IMPLIED, INCLUDING AND WITHOUT LIMITATION TO, ANY WARRANTY OF MERCHANTABILITY OR FITNESS FOR A PARTICULAR PURPOSE. TO THE EXTENT ANY IMPLIED WARRANTY IS REQUIRED BY LAW, THIS WARRANTY IS LIMITED IN DURATION TO THE TERM PERIOD EXPRESSED ABOVE. REPAIR OR REPLACEMENT AS PROVIDED UNDER THIS WARRANTY IS THE EXCLUSIVE REMEDY FOR THE CUSTOMER. NEITHER THE MANUFACTURER NOR ITS U.S. DISTRIBUTOR SHALL BE LIABLE FOR ANY INCIDENTAL, CONSEQUENTIAL, INDIRECT, SPECIAL, OR PUNITIVE DAMAGES OF ANY NATURE, INCLUDING AND WITHOUT LIMITATION TO, LOST REVENUES OR PROFITS, OR ANY OTHER DAMAGE, WHETHER BASED IN CONTRACT, TORT, OR OTHERWISE.

SOME STATES DO NOT ALLOW THE EXCLUSION OR LIMITATION OF INCIDENTAL OR CONSEQUENTIAL DAMAGES OR LIMITATIONS ON HOW LONG AN IMPLIED WARRANTY LASTS, SO THE ABOVE EXCLUSION OR LIMITATION MAY NOT APPLY TO YOU. THIS WARRANTY GIVES YOU SPECIFIC LEGAL RIGHTS AND YOU MAY ALSO HAVE OTHER RIGHTS THAT VARY FROM STATE TO STATE.

HOW TO OBTAIN WARRANTY SERVICE & ADDITIONAL INFORMATION:

Call 1-800-243-0000 or visit our website at www.lg.com.

Mail to: LG Customer Information Center (ATTN: CIC)
201 James Record Road, Huntsville, AL 35824

GARANTÍA LIMITADA DEL DESHUMIDIFICADOR LG - EE.UU.

COBERTURA DE LA GARANTÍA:

LG Electronics Inc. ("LG") garantiza que reparará o sustituirá, gratuitamente, su producto si resulta defectuoso en materiales o mano de obra bajo condiciones normales de uso durante el periodo de garantía mencionado más abajo, efectivo a partir de la fecha de compra del producto original por parte del consumidor. Esta garantía limitada sólo es válida para el comprador original del producto y no es asignable ni transferible a ningún otro comprador o usuario final subsecuentes, y efectiva únicamente cuando el producto se compra a través de un distribuidor autorizado de LG y se utiliza en los Estados Unidos ("EE UU") o en cualquiera de sus territorios.

Nota: Los recambios y piezas de repuesto pueden ser nuevos o estar reconstruidos de fábrica y están garantizados durante el tiempo restante del periodo de garantía de la unidad original o noventa días (90), el periodo de los dos que sea más largo. Por favor, guarde el recibo de compra o la nota de entrega como prueba de la fecha de compra como comprobante de garantía (se le puede pedir que presente una copia a LG o a su representante autorizado).

PERIODO DE GARANTÍA:

1 años desde la fecha de compra: **Cualquier repuesto interno/funcional y mano de obra**

PROCESO DE SERVICIO: Servicio a domicilio

Los servicios a domicilio se prestarán durante el periodo de garantía sujeto a disponibilidad en los Estados Unidos. El servicio a domicilio puede no estar disponible en todas las áreas. Para recibir asistencia técnica a domicilio, el producto debe estar en un entorno despejado y accesible al personal técnico. Si durante el servicio a domicilio la reparación no se puede llevar a cabo, es posible que sea necesario desplazarlo a nuestras instalaciones, repararlo y devolverlo a su hogar. Si este fuera el caso, LG puede optar, a petición nuestra, a utilizar el transporte de nuestra elección para desplazar la unidad al y del centro de servicio autorizado de LG.

ESTA GARANTÍA LIMITADA NO SE APLICA A:

1. Las visitas de Asistencia a domicilio para entregar, recoger y/o instalar el producto, instruir o sustituir fusibles.
2. Sustitución de fusibles de la casa o reajuste de interruptores de circuito, la corrección del cableado de la casa o de la tubería, o la corrección de la instalación del producto.
3. Los daños o averías causados por fugas / roturas/ congelación de tuberías de agua, líneas de drenaje restringido, suministro insuficiente de agua o interrumpido, o suministro insuficiente de aire.
4. Los daños o averías causados por accidentes, plagas e insectos, rayos, viento, fuego, inundaciones o actos de Dios.
5. Los daños o fallos ocasionados por el mal uso, abuso, instalación inadecuada, reparación o mantenimiento. Se considera reparación inadecuada aquella en que se hayan utilizado piezas no aprobadas o especificadas por LG.
6. Los daños o averías causados por modificaciones no autorizadas o alteraciones del producto.
7. Los daños o averías causados por la utilización de una corriente eléctrica, tensión o código de plomería incorrectos.
8. Daños estéticos, incluyendo arañazos, abolladuras, desportilladuras u otros daños en el acabado del producto, a menos que dichos daños sean el resultado de defectos en los materiales o mano de obra y se informe a LG en el plazo de siete días naturales (7) a partir de la fecha de entrega.
9. Los daños o la pérdida de componentes de cualquier producto cuya caja haya sido abierta, haya sido objeto de un descuento o se haya restaurado.
10. Los productos cuyos números de serie de fábrica originales hayan sido quitados, borrados o cambiados de ninguna manera.
11. Las reparaciones cuando el producto se utiliza para cualquier cosa fuera de lo normal y del uso doméstico habitual (por ejemplo su alquiler, uso comercial, en oficinas o en instalaciones de ocio) o en contra de la instrucciones que se indican en el manual del propietario.
12. La extracción y reinstalación del producto si está instalado en un lugar inaccesible.

ESTA GARANTÍA SE OTORGA EN SUSTITUCIÓN O EXCLUSIÓN DE TODA OTRA GARANTÍA, EXPRESA O IMPLÍCITA, INCLUYENDO SIN LIMITAR CUALQUIER GARANTÍA DE CALIDAD O IDONEIDAD CON UN PROPÓSITO CONCRETO. EN LA MEDIDA EN QUE CUALQUIER GARANTÍA IMPLÍCITA ES OBLIGADA POR LA LEY, ESTÁ LIMITADA EN DURACIÓN AL PERIODO DE GARANTÍA YA MENCIONADO. LA REPARACIÓN O REEMPLAZO DE PIEZAS, SEGÚN LO ESTABLECIDO EN ESTA GARANTÍA, ES EL ÚNICO QUE PUEDE RECLAMAR EL CLIENTE. NI EL FABRICANTE NI SU DISTRIBUIDOR EN LOS EE.UU. SE HACE RESPONSABLE DE CUALQUIER DAÑO (DERIVADO, INDIRECTO, ESPECIAL O PENAL) DE CUALQUIER NATURALEZA, INCLUYENDO, SIN LIMITACION, LA PÉRDIDA DE INGRESOS O BENEFICIOS O CUALQUIER OTRO TIPO DE DAÑO, AÚN BASADO EN UN CONTRATO, SEA UN AGRAVIO O DE CUALQUIER OTRA MANERA.

ALGUNOS ESTADOS NO PERMITEN LA EXCLUSIÓN O LIMITACIÓN DE DAÑOS IMPREVISTOS O RESULTANTES, O LIMITACIONES A LA DURACIÓN DE LAS GARANTÍAS IMPLÍCITAS, POR LO QUE LA EXCLUSIÓN O LIMITACIÓN MENCIONADA ANTERIORMENTE NO SERÁ APLICABLE AL USUARIO. ESTA GARANTÍA LE OTORGA DERECHOS LEGALES ESPECÍFICOS Y TAMBIÉN PUEDE TENER OTROS QUE VARIARÁN DE UN ESTADO A OTRO.

COMO OBTENER EL SERVICIO DE ESTA GARANTÍA E INFORMACIÓN ADICIONAL:

Llame al 1-800-243-0000 o visite nuestra página web: www.lg.com.

Dirección de correo ordinario: LG Customer Information Center (ATTN: CIC)
201 James Record Road, Huntsville, AL 35824



ESPAÑOL

MANUAL DEL PROPIETARIO DESHUMIDIFICADOR

Lea este manual detenidamente antes de utilizar el aparato y guárdelo para futuras consultas.

Modelo: UD701KOG1,UD701KOG3

ÍNDICE

1 INSTRUCCIONES DE SEGURIDAD

- 1 INSTRUCCIONES IMPORTANTES DE SEGURIDAD

4 VISTA GENERAL DEL PRODUCTO

- 4 Frente
- 4 Parte trasera

5 ANTES DEL USO

6 OPERACIÓN

- 6 Panel de control y pantalla
- 7 Deshumidificación
- 7 Ajuste del temporizador
- 7 Luz de reposo de seguridad
- 7 Luz de cubeta llena
- 8 Verificación del filtro
- 8 Desescarche automático
- 8 Configuración de drenaje continuo
- 9 Vaciado de la cubeta de agua

10 MANTENIMIENTO

- 10 Limpieza del exterior
- 10 Limpieza de la cubeta de agua
- 11 Limpieza del filtro del aire
- 12 Guardar el producto


13 RESOLUCIÓN DE PROBLEMAS

INSTRUCCIONES DE SEGURIDAD

LEA TODAS LAS INSTRUCCIONES ANTES DEL USO

Su seguridad y la de otras personas es muy importante. Este manual, y el propio aparato incorporan muchos mensajes de seguridad importantes. Lea siempre los mensajes de seguridad y cumpla con sus instrucciones.

Este es el símbolo de alerta de seguridad.

 Este símbolo le alerta de peligros potenciales que pueden causar lesiones graves o mortales a otras personas. Todos los mensajes de seguridad estarán acompañados del símbolo de alerta de seguridad y la palabra "ADVERTENCIA" o "PRECAUCIÓN".

Estas palabras significan:

ADVERTENCIA

Si no se cumplen las instrucciones, el usuario podría sufrir lesiones graves o mortales.

PRECAUCIÓN

Si no se cumplen las instrucciones, podrían producirse lesiones graves o daños materiales.

INSTRUCCIONES IMPORTANTES DE SEGURIDAD

ADVERTENCIA

Para reducir el riesgo de incendio, choque eléctrico o lesiones durante el uso de este aparato, cumpla con todas las instrucciones básicas de seguridad, incluidas las siguientes:

INSTALACIÓN

- Siga todos los procedimientos de seguridad recomendados por la industria incluyendo guantes de goma y gafas de seguridad.
- No intente nunca hacer funcionar este electrodoméstico si está estropeado, funciona mal, parcialmente desmontado o tiene piezas perdidas o rotas, incluidos el cable o enchufe dañado.
- Bajo ninguna circunstancia corte o retire la tercera clavija (tierra) del cable de alimentación eléctrica.
- Cuando instale o mueva el aparato, tenga cuidado de no aplastar o dañar el cable eléctrico.
- Mantenga el material de embalaje fuera del alcance de los niños. El material de embalaje puede resultar peligroso para los niños. Existe peligro de asfixia.
- Elimine el cartón, la bolsa de plástico y otros materiales de embalaje una vez desembalado el aparato. Es posible que los niños deseen usarlas para jugar. Los cartones cubiertos con alfombras, colchas o láminas de plástico se pueden convertir en cámaras herméticas.
- Instálelo o guárdelo donde no quede expuesto a temperaturas bajo cero o a la intemperie.
- No dañe, modifique, doble en exceso, retuerza, tire, perforo o caliente el cable de alimentación eléctrica.
- Si el cordón de alimentación es dañado, éste debe sustituirse por el fabricante o por su agente de servicio autorizado con el fin de evitar un peligro.
- No utilice adaptadores de salida múltiple con este aparato.
- No utilice el producto si el tomacorriente está dañado o suelto.

- Si hay una fuga de gas (gas propano, gas LP, etc.) no utilice este ni ningún otro aparato. Abra una ventana o puerta para que la estancia se ventile inmediatamente.
- No desensamble, repare o modifique el producto.
- No guarde ni use gases o materiales inflamables cerca del deshumidificador.
- Este aparato no debe ser utilizado por personas (incluidos niños) cuyas capacidades físicas, sensoriales o mentales estén disminuidas o que carezcan de la experiencia y conocimientos suficientes para manejarlo, a menos que cuenten con las instrucciones o la supervisión de la persona responsable de su seguridad.
No permita que los niños jueguen con el aparato. No deje a los niños desatendidos cuando estén cerca del aparato en operación.

OPERACIÓN

- Lea todas las instrucciones antes de utilizar el aparato y guárdelas.
- No manipule los controles.
- Aparato accesible al público en general.
- Si el producto se ha sumergido, contacte con el centro de información al cliente de LG Electronics para recibir instrucciones antes de volver a usarlo.
- Introduzca el enchufe en la toma de corriente hasta el fondo para que no quede suelto.
- No toque el cable eléctrico ni los controles del aparato con las manos mojadas.
- No modifique o alargue el cable de alimentación.
- Si el aparato produce un ruido extraño, olor o humo, desenchúfelo inmediatamente y póngase en contacto con el centro de información al cliente de LG Electronics.
- No coloque el deshumidificador u otros objetos pesados sobre el cable de alimentación.
- No utilice agua para limpiar el deshumidificador.
- Mantenga la entrada y salida de aire sin obstrucciones.
- No cubra el cable de alimentación con una alfombra o moqueta.
Puede dañar el cable de alimentación si coloca objetos pesados sobre él.
- No coloque aparatos de combustión directamente en el recorrido del aire del deshumidificador.
Podría alterar la combustión o causar deformación por calor.
- Mantenga este producto lejos del fuego.
- No utilice el producto donde pueda estar sometido a salpicaduras de agua.
- No introduzca los dedos, palos, etc. en la entrada o salida de aire.
El ventilador opera a alta velocidad, y puede causar lesiones.
- No repare ni reemplace ninguna parte del aparato. Todas las reparaciones y servicios deben ser realizados por personal de servicio cualificado, a menos que se recomiende lo contrario en este manual del propietario. Utilice sólo repuestos autorizados.
- **Ley sobre seguridad del agua potable y tóxicos de California**
Este producto contiene químicos conocidos por el Estado de California de causar cáncer y defectos de nacimiento u otros daños reproductivos. *Lávese las manos después de manipular.*
- Realice la conexión a un circuito protegido con la tensión y el tamaño adecuados para evitar sobrecargas eléctricas.

PRECAUCIÓN

Para reducir el riesgo de lesiones, fallas de operación o daños a la propiedad durante el uso de este producto, cumpla con todas las instrucciones básicas de seguridad, incluidas las siguientes.

INSTALACIÓN

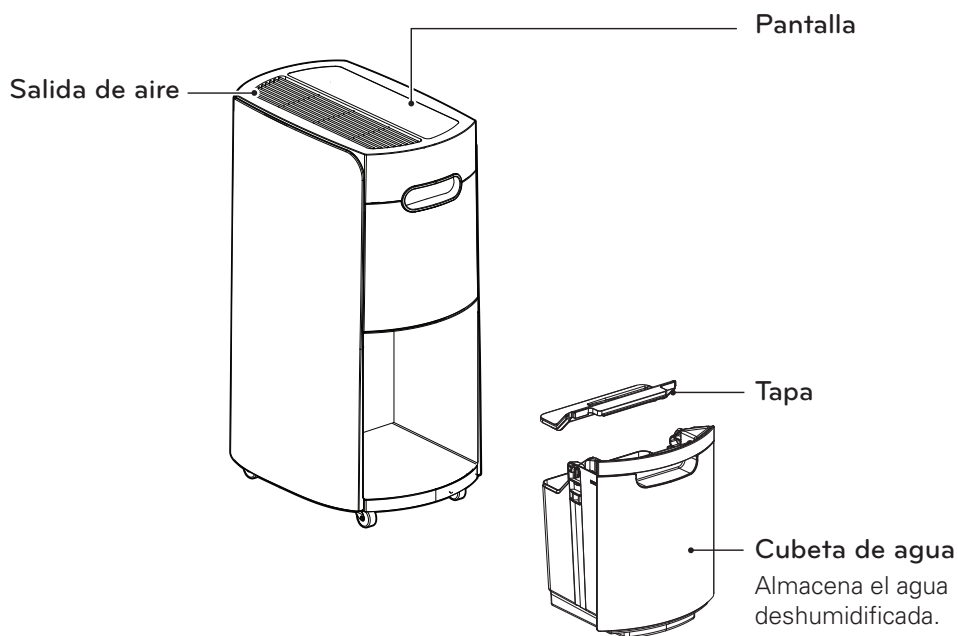
- **Utilice este aparato para su uso previsto.**
Este producto no se ha diseñado para conservación de instrumentos de precisión, cristalería u obras de arte.
- **Utilice el aparato solamente en un área bien ventilada.**
Mantenga el área bien ventilada, especialmente si está usando un aparato de combustión al mismo tiempo. Una ventilación inadecuada reduce el nivel de oxígeno en el aire.
- **No jale el cable para desenchufar el aparato. Sujete el enchufe con fuerza y desconéctelo del tomacorriente.**
- **No utilice el aparato en lugares donde se usen productos químicos.**
Las sustancias químicas y disolventes en el aire en lugares como hospitales, fábricas, laboratorios y salones de belleza pueden deformar el producto y causar fugas, con los consiguientes daños a la propiedad.
- **Apague el deshumidificador y desenchúfelo antes de su limpieza.**
Espere a que el ventilador deje de moverse.
- **No utilice el deshumidificador sin filtro.**
De lo contrario, podría reducirse su vida útil, o causar un choque eléctrico o lesiones.

OPERACIÓN

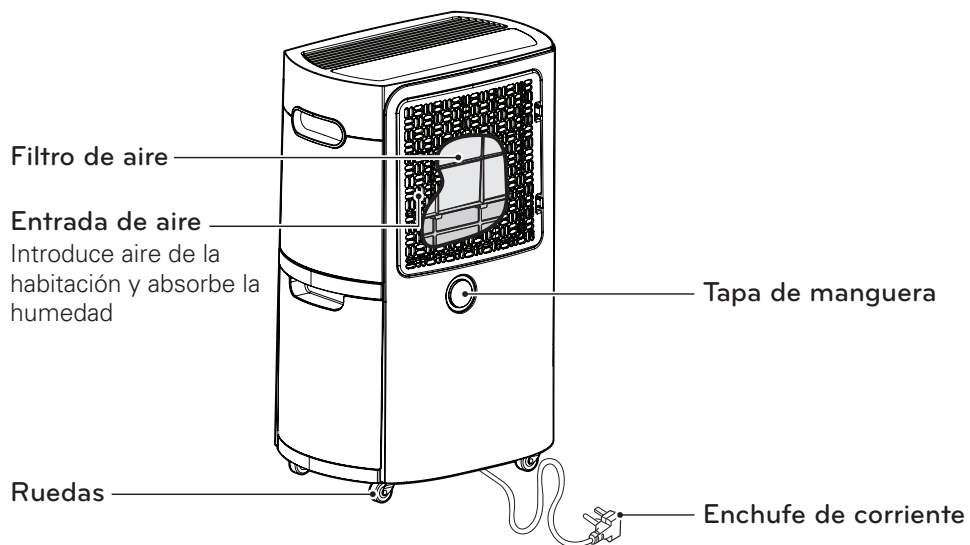
- No utilice el producto para conservar animales/plantas, instrumentos de precisión, obras de arte, etc.
- No coloque jarrones o jarras de agua sobre el deshumidificador.
- Apague el deshumidificador y vacíe el agua de la cubeta antes de mover el deshumidificador.
- Desenchufe el producto si no va a usarlo durante un tiempo prolongado.
- **No utilice el producto en un lugar muy pequeño, por ejemplo, un closet.**
Una ventilación insuficiente puede causar sobrecalentamiento o un incendio.
- **No utilice cera, disolventes o detergentes fuertes para la limpieza. Limpie el producto con un paño suave.**
El uso de productos de limpieza no adecuados causará la decoloración de la carcasa o dañará la superficie.
- No utilice el producto expuesto a la luz solar directa o la lluvia.
- No toque el producto con las manos mojadas.
- Coloque el producto sobre una superficie firme y estable.
- Suelte las bridas y extienda el cable antes de usarlo.
- No pulverice sustancias extrañas o agua sobre el producto.
- **ADVERTENCIA:** Antes de acceder a las terminales, todos los circuitos de alimentación deben desconectarse.
- **ADVERTENCIA:** Deben incorporarse medios de desconexión a la instalación fija de acuerdo con las reglas de instalación.
- **ADVERTENCIA:** Este aparato no es accesible al público en general.
- **ADVERTENCIA:** El aparato debe instalarse de acuerdo a las regulaciones nacionales para instalaciones eléctricas.

VISTA GENERAL DEL PRODUCTO

Frente



Parte trasera



El cable y el enchufe pueden diferir según el país donde se compre el producto.

ANTES DEL USO

La temperatura interior y la humedad relativa afectan a la deshumidificación.

- La deshumidificación se reduce si la temperatura o la humedad relativas son bajas.
- El producto no funciona a menos que el nivel de humedad deseado sea inferior al nivel de humedad actual.

Este producto opera con temperaturas de 41 °F - 90 °F (5 °C - 32 °C).

- A temperatura de 32 °F (0 °C) o menos, el agua se congela en el interior del producto.
- A temperaturas superiores a 90 °F (32 °C), la temperatura interna del producto dispara un dispositivo de protección que apaga el producto para evitar que se dañe.

La temperatura aumente con el deshumidificador en operación.

- El deshumidificador no tiene función de calor/frío.
- Se genera calor durante la operación, por lo que la temperatura de la habitación puede aumentar aproximadamente 37 °F (3 °C) según las condiciones de uso (temperatura interior, tamaño de la habitación).

El compresor tiene un retardo de 3 minutos antes de volver a funcionar.

- Si el producto se para y se vuelve a poner en operación inmediatamente, como medida de protección hay un retardo de 3 minutos hasta que el compresor se pone en funcionamiento.

El producto no puede operar continuamente durante más de 23 horas.

Después de 23 horas de operación continua, el compresor se detiene automáticamente durante una hora para prevenir daños. El compresor volverá a funcionar después de una hora. Esta función de reposo de seguridad es normal.

Instale el producto a una distancia no menor de 11 ¹³/₁₆" (30 cm) de paredes u otros obstáculos.

El producto necesita esa separación para fines de entrada y salida de aire.

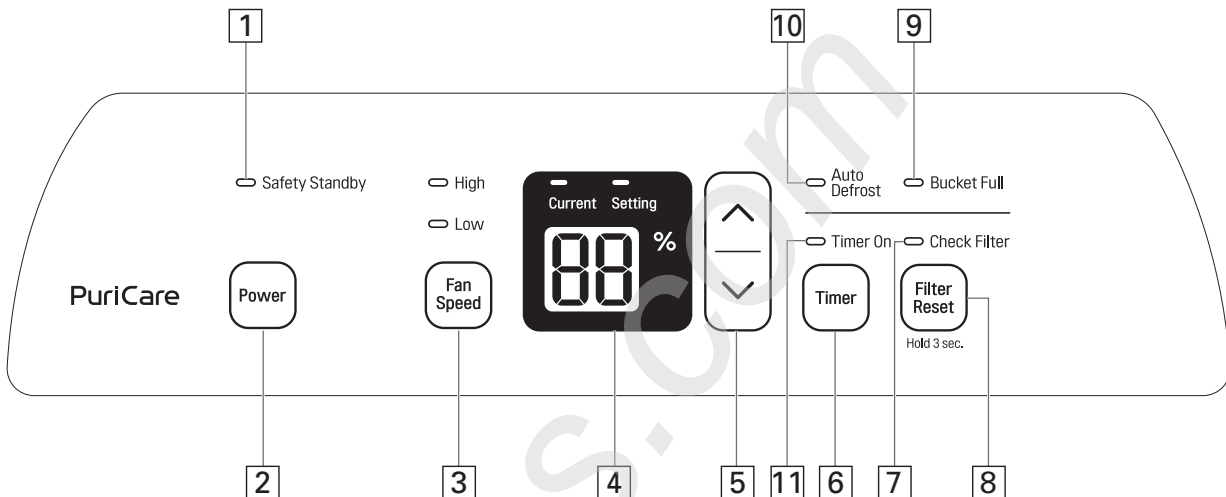
Puede haber agua en la cubeta de agua de drenaje antes del primer uso.

Puede quedar agua en la cubeta como resultado de la inspección del producto para comprobar su operación antes de su salida de fábrica. Esto es normal.

OPERACIÓN





Panel de control y pantalla


ESPAÑOL



1	Luz de reposo de seguridad (roja)	Después de 23 horas de operación continua, la luz roja se ilumina durante una hora.
2	Botón de encendido/apagado	Enciende y apaga el producto.
3	Botón de control de velocidad de ventilador	Ajusta la velocidad del ventilador y el volumen de aire.
4	Pantalla de humedad	Muestra la humedad actual (25-90%) y el ajuste de humedad (30-80%).
5	Botón de control de humedad	Ajuste el nivel de humedad. Los niveles de humedad deseados se puede ajustar en incrementos del 5% entre 30-80%.
6	Botón de temporizador	Selecciona un tiempo para el apagado automático del producto. Presione el botón repetidamente para aumentar el tiempo hasta la parada en incrementos de una hora, y hasta 12 horas.
7	Luz de comprobación de filtro	Se ilumina después de 350 horas de operación. Compruebe y limpie el filtro.
8	Botón de reinicio del filtro	Tras limpiar el filtro, presione durante tres segundos para reiniciar el tiempo de operación.
9	Luz de cubeta llena	Se ilumina cuando la cubeta de agua de drenaje está llena.
10	Luz de desescarche automático	Se ilumina cuando el producto está desescarchando.
11	Luz de temporizador	Se ilumina cuando está seleccionada la función de temporizador.

Deshumidificación



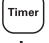
- 1 Pulse  para encender el aparato.
 - Se necesitan 30 minutos de operación continua para alcanzar el nivel de humedad deseado cuando se utiliza el producto por primera vez.
 - La pantalla muestra el nivel de humedad actual.
- 2 Presione  /  para cambiar la humedad.
 - El nivel deseado de humedad se puede ajustar en incrementos del 5% entre 30-80%.
 - La pantalla muestra el nivel de humedad deseado mientras se está seleccionando, y vuelve al nivel de humedad actual después de 5 segundos.
 - El nivel de humedad actual se muestra en incrementos del 5% entre 25-90%. Si el nivel de humedad está fuera de ese rango, la pantalla continúa mostrando 25% o 90%.
- 3 Presione  para cambiar la velocidad del ventilador.

La velocidad del ventilador tiene dos niveles: alta o baja.
- 4 Presione  para apagar el aparato.

! NOTA

- Si el producto se para y se vuelve a poner en operación inmediatamente, como medida de protección hay un retardo de 3 minutos hasta que el compresor se pone en funcionamiento.
- Es normal que el compresor cause vibraciones en el producto durante la puesta en marcha o parada.

Ajuste del temporizador

- 1 Presione  para encender el aparato.
- 2 Presione  para seleccionar el tiempo de parada automático.
 - Presione el botón repetidamente para aumentar el tiempo hasta la parada en incrementos de una hora, y hasta 12 horas.
- 3 Presione  para cancelar la función de temporizador.
 - Presione el botón del temporizador repetidamente hasta que se apague la luz del temporizador.

! NOTA

Vacíe la cubeta de agua de drenaje antes de seleccionar la función de temporizador.

Si la cubeta de agua se llena durante la función de temporizador, se iluminará luz de cubeta llena y se detendrá las deshumidificación.

Luz de reposo de seguridad


- Después de 23 horas de operación continua, se ilumina la luz roja de reposo de seguridad durante una hora y se paran el ventilador y el compresor para evitar fallas de operación del producto.
- Después de una hora con el ventilador y el compresor apagados, la luz de reposo de seguridad se apaga y el compresor se pone en operación automáticamente.

Luz de cubeta llena

- Vacíe la cubeta de agua en tres minutos cuando se ilumine la luz de cubeta llena.
- Tras iluminarse la luz, el ventilador funciona tres minutos adicionales para eliminar el agua condensada restante y, a continuación, el producto se apaga.
- Para más información, consulte Vaciado de la cubeta de agua.

Verificación del filtro

Verifique y limpie el filtro cuando se ilumine la luz Verificar filtro.

- 1 Después de 350 horas de operación, se iluminará la luz Verificar filtro. Verifique el filtro y, si es necesario, límpielo o espere 24 horas a que la luz se apague automáticamente.
- 2 Tras limpiar el filtro, presione  durante tres segundos para reiniciar el tiempo de operación.

Desescarche automático

La función de desescarche automático elimina la escarcha del intercambiador de calor causada por las bajas temperaturas interiores.

- Luz de desescarche automático se ilumina mientras el producto desescarcha automáticamente el intercambiador de calor.
- El compresor se detiene durante la función de desescarche automático.

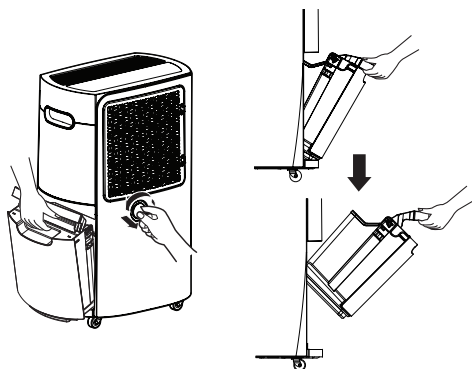
 Auto Defrost

Configuración de drenaje continuo

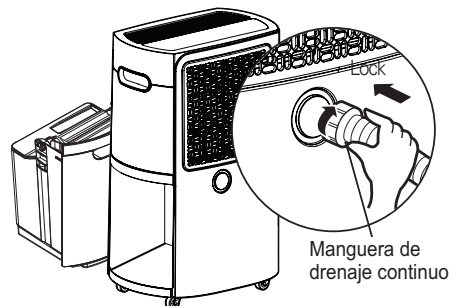
Elementos necesarios:

Manguera de jardín con rosca de 3/4" (diámetro exterior) cerca de un fregadero o desagüe.

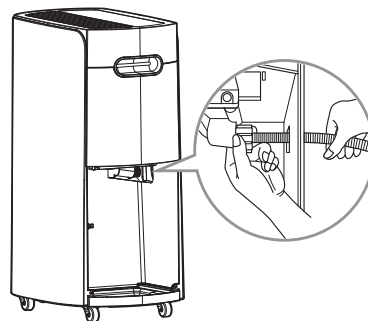
- 1 Desenchufe el producto. Gire en sentido antihorario la tapa de la manguera de la parte trasera para abrirla.
- 2 Retire la cubeta de agua.



- 3 Introduzca la manguera en el orificio de drenaje de la parte trasera derecha del aparato.



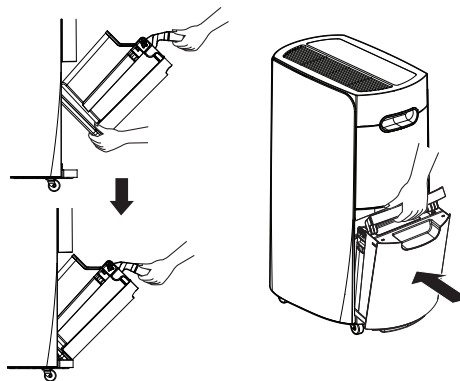
- 4 Gire el extremo de la manguera en sentido horario para conectarla en la conexión hembra detrás de la cubeta de agua. Conecte con fuerza la manguera para evitar fugas. Apriete manual; a continuación, apriete 1/8 de vuelta adicional con un alicate.



PRECAUCIÓN

Tenga cuidado de no dañarse las manos al conectar la manguera.

- 5 Vuelva a colocar la cubeta de agua.

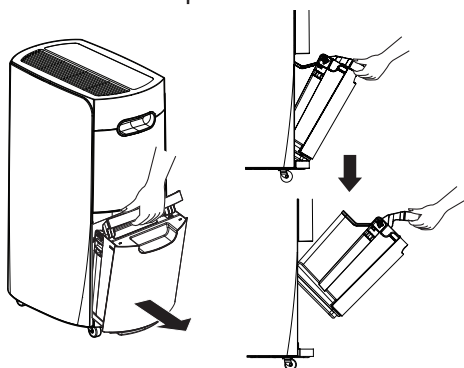


NOTA

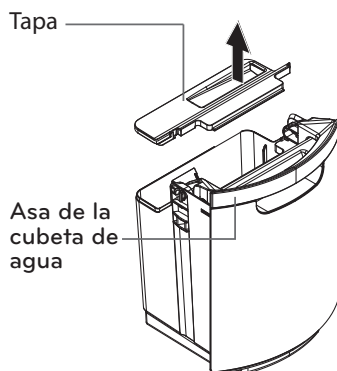
- El producto no funciona sin la cubeta de agua instalada.
- Se puede comprar una manguera para el drenaje continuo a través del centro de información al cliente de LG.

Vaciado de la cubeta de agua

- 1 Tire suavemente del asa superior de la cubeta para retirarla del aparato.



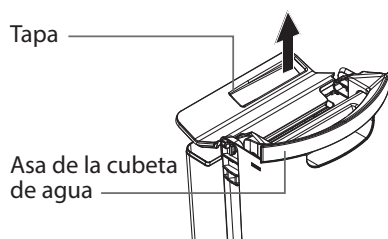
- 2 Levante la tapa de la cubeta de agua.



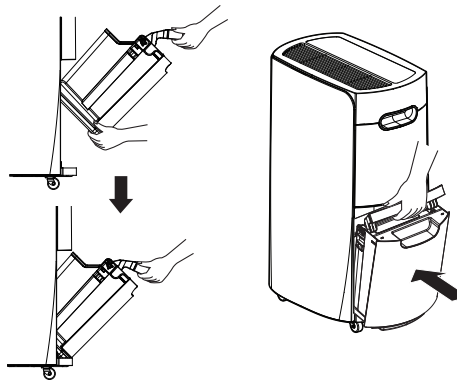
- 3 Vacíe el agua de la cubeta.



- 4 Vuelva a colocar la tapa en la cubeta.



- 5 En primer lugar, incline la base de la cubeta y empújela para colocarse en su lugar.

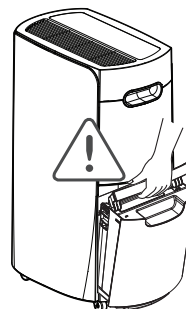


! NOTA

- Si la cubeta se retira inmediatamente tras apagar el deshumidificador, el agua restante del intercambiador de calor puede gotear dentro del área de almacenaje de la cubeta. Puede limpiar el agua con un trapo suave.
- Mientras limpia, no toque el dispositivo de detección de agua del interior de la parte superior del área de almacenaje de la cubeta.
- Durante la utilización, limpie la cubeta del agua una vez por semana.
- Si la temperatura ambiente es baja, hay menos humedad en el aire.
- Desenchufe el producto antes de retirar la cubeta del agua. Si retira la cubeta con el producto en operación, se apagará el compresor. El ventilador sigue en operación tres minutos para eliminar el agua restante en el intercambiador de calor y, posteriormente, se para.

! PRECAUCIÓN

Tenga cuidado con los puntos en los que pueden quedar enganchados los dedos al instalar la cubeta de agua.



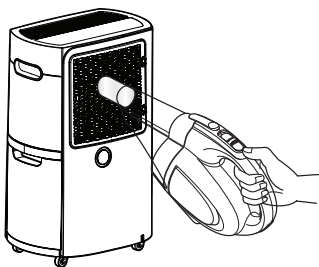
MANTENIMIENTO

Limpieza del exterior

Limpie el exterior del deshumidificador con un trapo suave humedecido.

- No pulverice agua directamente sobre el producto. Si lo hace, podría dañar el aislamiento o podrían quedar manchas en la superficie del producto.

Utilice un aspirador o un cepillo blando para limpiar el polvo de la carcasa del filtro.

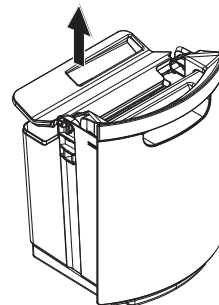


! PRECAUCIÓN

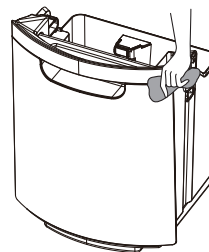
No utilice materiales como disolventes, benceno, ácidos o esponjas para limpiar el producto. Pueden dañar la superficie del aparato de aire acondicionado.

Limpieza de la cubeta de agua

1 Levante la tapa de la cubeta de agua.



2 Vacíe la cubeta y utilice un trapo suave para limpiar la humedad restante en el interior.



! PRECAUCIÓN

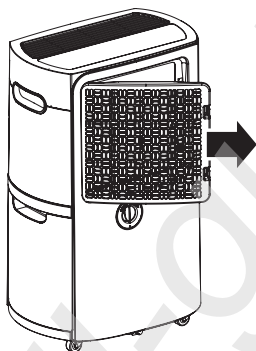
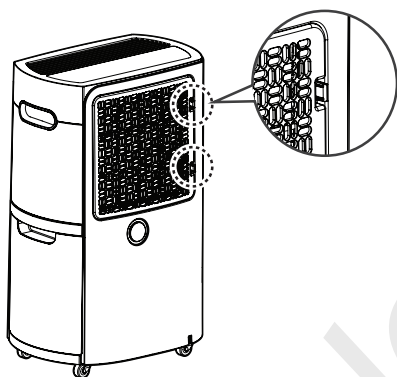
La utilización de este producto sin la tapa de la cubeta o con la tapa mal colocada puede causar fugas.

Limpeza del filtro del aire

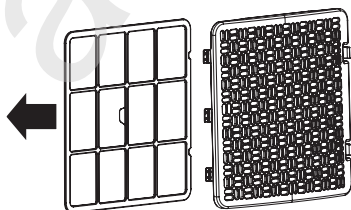
! PRECAUCIÓN

- Desenchufe el aparato antes de limpiarlo.
- Deje secar el filtro completamente, sin exponerlo a la luz solar directa, antes de volver a colocarlo en el aparato. La utilización de un filtro mojado puede causar fallos del producto.

- 1 Suelte los dos ganchos a la derecha de la carcasa y gírela para abrirla.

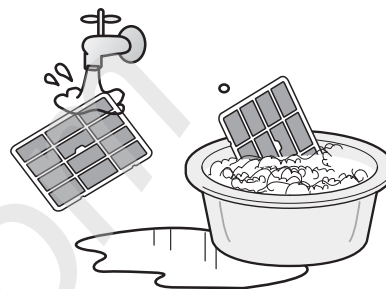


- 2 Tire de la pestaña central del filtro de aire para retirarlo de la carcasa.



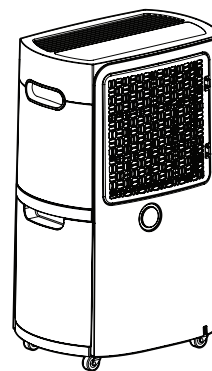
- 3 Limpie el filtro de aire con un aspirador o un cepillo blando.

- Si el filtro está muy sucio, lávelo con agua y un detergente neutro.
- Limpie el filtro del aire una vez al mes.



- 4 Doble ligeramente hacia dentro los lados del filtro para volver a insertarlo. Asegúrese de que el filtro queda asentado bajo las pestañas en el interior de la carcasa.

- 5 Alinee las bisagras de la carcasa del filtro con las aberturas de las bisagras del producto y gire la carcasa a la derecha para volver a colocar los dos ganchos.



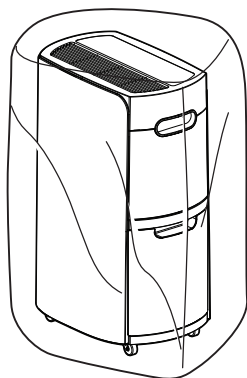
! NOTA

Las llamadas de servicio para la limpieza del filtro no están incluidas en la garantía.

Guardar el producto

- 1 Desenchufe el producto.
- 2 Vacíe la cubeta de agua completamente.
 - Retire la tapa de la cubeta de agua y limpie el agua restante con un trapo suave.
- 3 Limpie el filtro.
 - Deje secar el filtro varias horas a la sombra y en un área bien ventilada antes de volver a colocarlo.
 - La colocación del producto expuesto a la luz solar directa o cerca de un fuego puede hacer que se deforme.
- 4 **Mientras el filtro se está secando, colóquelo alejado de la luz solar directa en un área bien ventilada durante varias horas. Vuelva a colocar el filtro y la tapa antes de guardarlo en posición vertical.**

(No se incluye una tapa para proteger el deshumidificador del polvo.)



RESOLUCIÓN DE PROBLEMAS

Si el producto no funciona correctamente o no funciona en absoluto, realice las siguientes comprobaciones antes de llamar al servicio técnico:

Problema	Causa posible	Soluciones
El producto no funciona.	<ul style="list-style-type: none"> - El enchufe no se ha conectado correctamente. - Corte de energía. - La cubeta no está bien instalada. - Luz de cubeta llena iluminada. - Auto Defrost la luz está encendida. - El nivel de humedad seleccionado es más alto que el nivel de humedad de la habitación. 	<ul style="list-style-type: none"> - Inserte el enchufe. - Revise otros aparatos eléctricos. - Instale la cubeta del agua correctamente. - Vacíe la cubeta del agua. - Presione el botón de encendido/apagado cuando termine el desescarche automático. - Seleccione el nivel de humedad deseado por debajo del nivel actual de humedad de la habitación.
Hay poca deshumidificación.	<ul style="list-style-type: none"> - La temperatura de la habitación o el nivel de humedad son demasiado bajos. - La entrada o salida de aire está bloqueada. 	<ul style="list-style-type: none"> - Revise el objetivo de humedad. - Es normal que la deshumidificación sea menor en invierno y en áreas secas. - Elimine la obstrucción. - Limpie el filtro.
La humedad no parece reducirse, aunque el producto está en operación.	<ul style="list-style-type: none"> - Las puertas o ventanas están abiertas. - La habitación es demasiado grande para la capacidad del deshumidificador. - El producto se ha colocado cerca de un aparato que produce vapor. 	<ul style="list-style-type: none"> - Cierre la puerta/ventana. - Utilice el deshumidificador en una habitación de tamaño adecuado. - No utilice el deshumidificador cerca de aparatos que producen vapor.
El nivel de humedad visualizado no es correcto.	<ul style="list-style-type: none"> - La entrada y salida del aire del deshumidificador están bloqueadas. - El deshumidificador se ha colocado demasiado alejado del área con humedad. 	<ul style="list-style-type: none"> - Mantenga el deshumidificador alejado de paredes u otras obstrucciones grandes. - La pantalla del deshumidificador muestra el nivel de humedad en su posición actual, que puede ser diferente del nivel en otras posiciones.
Gotea agua del interior del producto cuando se retira la cubeta.	<ul style="list-style-type: none"> - Se ha retirado la cubeta de agua con el producto en operación. 	<ul style="list-style-type: none"> - Apague el producto antes de retirar la cubeta del agua. - Limpie el agua con un paño suave.

Llame inmediatamente al servicio técnico en las siguientes situaciones.

1. El cable de alimentación está demasiado caliente o dañado.
2. El producto continúa funcionando cuando la cubeta de agua se ha llenado, y la cubeta rebosa.

ESPECIFICACIONES (UD701KOG1)

TENSIÓN NOMINAL: 115 V~

FRECUENCIA: 60 Hz

CORRIENTE NOMINAL: 6,8 A

ESPECIFICACIONES (UD701KOG3)

TENSIÓN NOMINAL: 115 V~

FRECUENCIA: 60 Hz

CORRIENTE NOMINAL: 6,3 A



FRANÇAIS

MANUEL DU PROPRIÉTAIRE DÉSHUMIDIFICATEUR

Veillez lire attentivement ce manuel avant d'utiliser votre appareil et conservez-le pour référence ultérieure.

Modèle : UD701KOG1,UD701KOG3

TABLE DES MATIÈRES

1 INSTRUCTIONS DE SÉCURITÉ

- 1 INSTRUCTIONS DE SÉCURITÉ IMPORTANTES

4 PRÉSENTATION DU PRODUIT

- 4 Avant
- 4 Arrière

5 AVANT UTILISATION

6 FONCTIONNEMENT

- 6 Panneau de contrôle et écran d'affichage
- 7 Déshumidification
- 7 Réglage de la minuterie
- 7 Indicateur de veille de sécurité
- 7 Indicateur du réservoir de remplissage
- 8 Vérification du filtre
- 8 Auto dégivreur
- 8 Configuration pour vidange continue
- 9 Vider le réservoir d'eau

10 ENTRETIEN

- 10 Nettoyage de l'extérieur
- 10 Nettoyage du réservoir d'eau
- 11 Nettoyage du filtre à air
- 12 Entreposage de l'appareil

13 DÉPANNAGE

INSTRUCTIONS DE SÉCURITÉ

VEUILLEZ LIRE TOUTES LES INSTRUCTIONS AVANT L'UTILISATION

Votre sécurité et celle des autres sont très importantes.

Nous avons inscrit plusieurs messages de sécurité importants dans ce manuel et sur l'appareil. Veuillez toujours lire et suivre tous les messages de sécurité.

Ceci est le symbole d'alerte de sécurité.



Ce symbole vous avise des dangers potentiels qui peuvent vous blesser, blesser d'autres personnes ou causer la mort. Tous les messages de sécurité seront suivis du symbole d'alerte de sécurité ainsi que du mot AVERTISSEMENT ou MISE EN GARDE.

Ces mots signifient :



AVERTISSEMENT

Ne pas respecter ces consignes peut entraîner des blessures graves, voire mortelles.



MISE EN GARDE

Ne pas respecter ces consignes peut entraîner des blessures corporelles ou des dommages matériels.

INSTRUCTIONS DE SÉCURITÉ IMPORTANTES



AVERTISSEMENT

Pour réduire les risques d'explosion, d'incendie, d'électrocution, de brûlures ou de blessures lorsque vous utilisez l'appareil, veuillez suivre les instructions suivantes :

INSTALLATION

- Veuillez respecter toutes les consignes de sécurité recommandées par l'industrie telles que le port de gants, d'un blouson à manches longues et de lunettes de protection.
- Ne jamais tenter d'utiliser l'appareil s'il est endommagé, s'il ne fonctionne pas, s'il est partiellement désassemblé ou si certaines pièces sont brisées ou manquantes, incluant un câble ou une fiche endommagée.
- Ne jamais couper la troisième broche du cordon d'alimentation.
- Lors de l'installation ou d'un déplacement de l'appareil, ne pas serrer, écraser ou endommager le cordon d'alimentation.
- Tenir le matériel d'emballage hors de la portée des enfants. Le matériel d'emballage peut être dangereux pour les enfants. Il y a risque de suffocation.
- Détruire le carton, le sac de plastique et tout autre matériel d'emballage après avoir déballé le produit. Les enfants pourraient l'utiliser pour jouer. Les cartons recouverts de couvertures, de couvre-lits ou d'autres feuilles de plastique peuvent devenir des chambres hermétiques.
- Entreposer et installer l'appareil dans un endroit où il ne sera pas exposé à des températures en-dessous du point de congélation ou exposé à des conditions extérieures extrêmes.
- Veuillez ne pas endommager, altérer, plier, tordre, tirer, serrer ou chauffer excessivement le cordon d'alimentation.
- Appeler un technicien de service autorisé pour réparer ou remplacer sans délai tous les cordons d'alimentation qui sont endommagés. Ne pas utiliser un cordon où il y a présence de fissures ou de dommages à l'abrasion sur toute sa longueur ou aux extrémités.

- Ne pas utiliser des adaptateurs multiprises avec ce déshumidificateur.
 - Ne pas utiliser l'appareil si la prise est endommagée ou desserrée.
 - En cas de fuite de gaz (gaz propane, gaz de pétrole liquéfié, etc.), ne pas utiliser cet appareil ou tout autre appareil. Ouvrir immédiatement une fenêtre ou une porte pour aérer la zone.
 - Ne pas désassembler, réparer ou modifier l'appareil.
 - Ne pas entreposer ou utiliser des gaz inflammables ou autre matériel près du déshumidificateur.
 - Cet appareil n'est pas conçu pour être utilisé par des personnes (incluant des enfants) avec des capacités physiques, sensorielles ou mentales réduites ou qui n'ont pas d'expérience ou de connaissance, à moins qu'elles aient reçu des instructions sous supervision sur l'utilisation de cet appareil, par une personne responsable de leur sécurité.
- Ne pas laisser les enfants jouer sur ou avec l'appareil. Une supervision étroite est nécessaire lorsque l'appareil est en utilisation près des enfants.

FONCTIONNEMENT

- Veuillez lire toutes les instructions lorsque vous utilisez cet appareil et conservez ce manuel.
- Ne pas altérer les commandes.
- Si l'appareil est submergé, communiquez avec le service à la clientèle de LG Electronics pour des instructions avant de l'utiliser de nouveau.
- Pousser la fiche d'alimentation complètement dans la prise murale afin qu'il ne se relâche pas.
- Ne pas prendre le cordon d'alimentation ou ne pas toucher les commandes de l'appareil avec des mains mouillées.
- Ne pas modifier ou étirer le cordon d'alimentation.
- Si l'appareil émet un bruit inhabituel, s'il y a présence de fumée ou d'une odeur, retirez la fiche d'alimentation et communiquez avec le service à la clientèle de LG Electronics.
- Éviter de placer le déshumidificateur ou d'autres objets lourds sur le cordon d'alimentation.
- Ne pas utiliser d'eau pour nettoyer le déshumidificateur.
- Laissez les entrées et les sorties d'air libres de toute obstruction.
- Ne pas couvrir le cordon d'alimentation avec un tapis ou une moquette.
Ne pas placer d'objets sur le cordon d'alimentation pour ne pas l'endommager.
- Ne pas placer d'appareil à combustion directement dans la trajectoire d'air du déshumidificateur
Ceci peut mener à une combustion incomplète ou à une déformation par la chaleur.
- Éloigner l'appareil de toute source de feu.
- Ne pas positionner l'appareil à un endroit où il pourrait être éclaboussé par l'eau.
- N'insérez pas vos doigts, des bâtonnets, etc. dans l'entrée ou la sortie d'air.
Le ventilateur tourne à grande vitesse et peut causer des blessures.
- Ne pas tenter de réparer ou de remplacer les pièces de l'appareil. Toutes les réparations et appels de service doivent être effectués par un professionnel qualifié et autorisé sauf si spécifiquement recommandé dans le manuel du propriétaire. Utiliser seulement des pièces autorisées provenant de l'usine de fabrication.
- La loi Safe Drinking Water and Toxic Enforcement Act de la Californie
Ce produit contient des produits chimiques reconnus par l'Etat de la Californie pour provoquer des cancers et des malformations congénitales ou d'autres problèmes de reproduction.
Lavez-vous les mains après l'avoir manipulé.
- Connecter l'appareil à un circuit d'alimentation évalué, protégé et de taille approprié afin d'éviter toute surcharge électrique.

MISE EN GARDE

Afin de réduire tout risque de blessure aux personnes, de défaillance ou de dommage à l'appareil ou à la propriété lors de l'utilisation de l'appareil, veuillez suivre ces instructions :

INSTALLATION

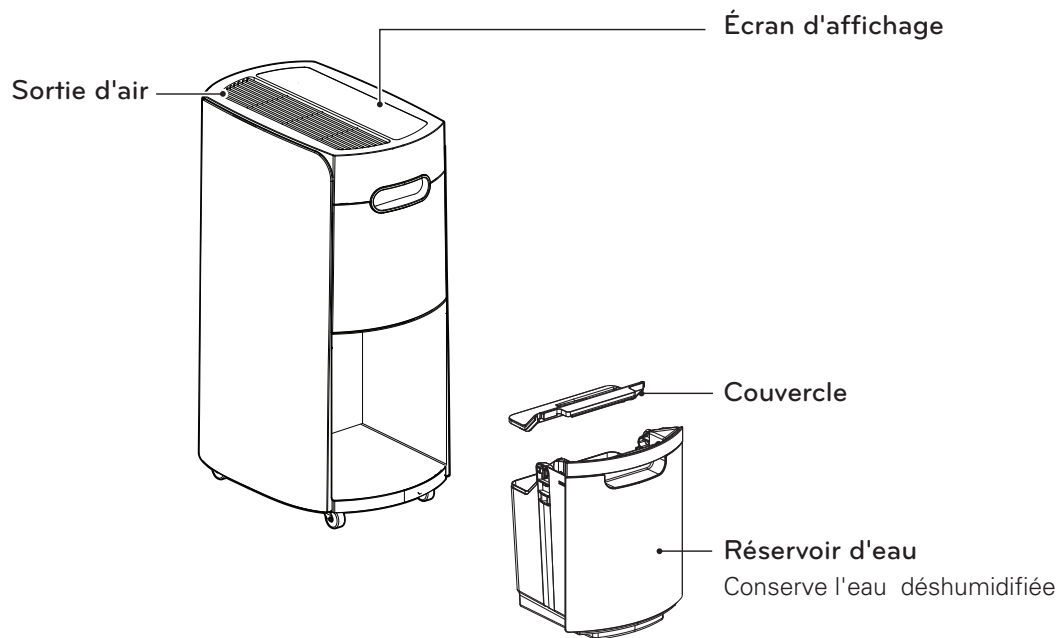
- **Utiliser cet appareil que pour l'usage prévu.**
Ce produit n'est pas conçu pour la conservation d'instruments de précision, les articles de table ou les œuvres d'art.
- **Utiliser cet appareil seulement dans des endroits bien ventilés.**
L'endroit doit être bien aéré surtout s'il y a un appareil de combustion. Une ventilation inadéquate peut réduire le niveau d'oxygène dans l'air.
- **Ne jamais débrancher l'appareil en tirant sur le cordon d'alimentation. Toujours tenir la fiche fermement et la tirer directement de la sortie de la prise.**
- **Ne pas positionner l'appareil à un endroit où il y a présence de produits chimiques.**
Les produits chimiques et les solvants dissous dans l'air dans des endroits tels que les hôpitaux, les usines, les laboratoires et les salons de coiffure pourraient provoquer une déformation de l'appareil ou des fuites, ce qui peut entraîner des dommages matériels.
- **Veuillez éteindre le déshumidificateur ou retirez la fiche d'alimentation avant le nettoyage de l'appareil.**
Attendre l'arrêt complet du ventilateur.
- **Ne pas utiliser le déshumidificateur sans le filtre.**
Utiliser l'appareil sans filtre peut réduire sa durabilité, causer un choc électrique ou des blessures.

FONCTIONNEMENT

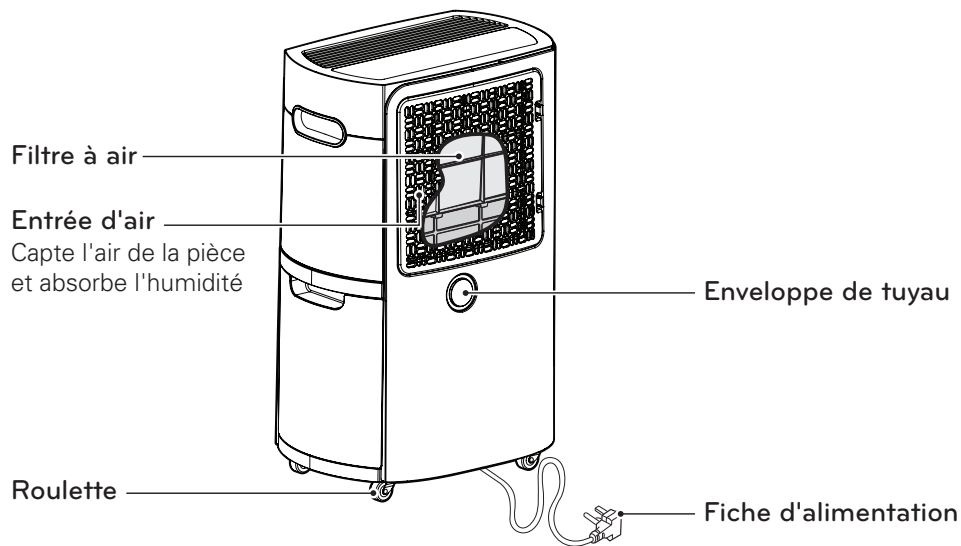
- **Ne pas utiliser le produit pour la préservation d'animaux/plantes, les instruments de précision, les œuvres d'art, etc.**
- **Ne pas placer de vase ou de cruche d'eau sur le déshumidificateur.**
- **Éteindre le déshumidificateur et vider le réservoir d'eau avant de déplacer l'appareil.**
- **Retirer la fiche d'alimentation si vous n'utilisez pas l'appareil pendant une longue période.**
- **Ne pas utiliser l'appareil dans un espace très restreint comme un placard.**
Une faible ventilation peut provoquer une surchauffe ou un incendie.
- **Ne pas utiliser de cire, de diluant ou de détergent concentré lors du nettoyage. Nettoyer l'appareil avec un chiffon doux.**
L'utilisation de nettoyeurs inappropriés peut causer une décoloration ou le développement de défaut de surface.
- **Ne pas utiliser l'appareil sous directe exposition au soleil ou sous la pluie.**
- **Ne pas toucher l'appareil avec des mains mouillées.**
- **Positionner l'appareil sur une surface ferme et stable.**
- **Retirer les ligatures de câble et étirer le cordon d'alimentation avant utilisation.**
- **Ne pas vaporiser de substances étrangères ou de l'eau sur le produit.**

PRÉSENTATION DU PRODUIT

Avant



Arrière



Le cordon et la fiche d'alimentation peuvent différer selon le pays où le produit est acheté.

AVANT UTILISATION

La température intérieure et l'humidité relative affecte la déshumidification.

- La déshumidification est diminuée si la température ou l'humidité relative est faible.
- L'appareil ne fonctionnera pas à moins que le niveau d'humidité souhaité est plus faible que le taux d'humidité actuel.

L'appareil fonctionne à des températures de 41 °F - 90 °F (5 °C - 32 °C).

- À une température de 32 °F (0 °C) ou moins, l'eau gèle à l'intérieur de l'appareil.
- À une température supérieure à 90 °F (32 °C), la température interne de l'appareil déclenche un dispositif de protection qui désactive l'appareil pour éviter de l'endommager.

Lorsque le déshumidificateur est en fonction, la température intérieure augmente.

- Le déshumidificateur ne possède pas de fonction de refroidissement/chauffage.
- La chaleur est générée pendant le fonctionnement de sorte que la température ambiante peut augmenter d'environ 37 °F (3 °C) en fonction des conditions d'utilisation (température intérieure, la dimension de la pièce).

Le compresseur dispose d'un délai de 3 minutes avant de redémarrer.

- Si l'appareil est arrêté et redémarre immédiatement, pour protéger le compresseur, il y aura un délai de 3 minutes jusqu'au redémarrage du compresseur.

L'appareil ne peut fonctionner continuellement pendant plus de 23 heures.

Après 23 heures de fonctionnement en continu, le compresseur s'éteindra automatiquement pendant une heure pour éviter tout dommage à l'appareil. Le compresseur redémarrera après une heure. Cette fonction de veille sécuritaire est normale.

Installer l'appareil à une distance d'au moins 11 ¹³/₁₆ po (30 cm) des murs ou d'autres obstacles.

L'appareil a besoin d'espace libre pour l'entrée et la sortie d'air.

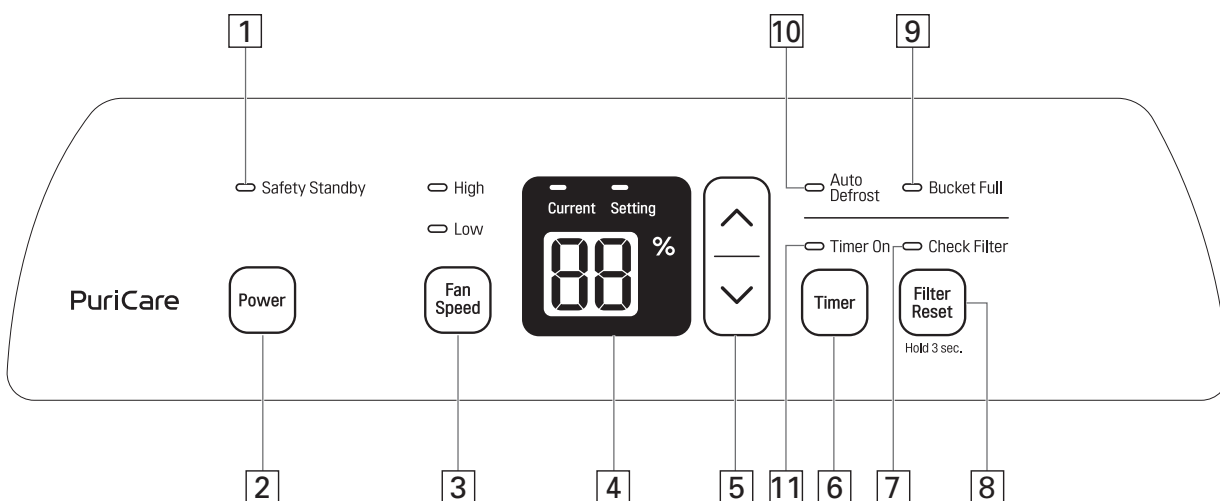
Il peut y avoir de l'eau dans le réservoir de vidange avant la première utilisation.

Il peut rester de l'eau dans le réservoir de vidange de l'inspection de sortie de l'appareil pour en vérifier le fonctionnement. Ceci est normal.

FONCTIONNEMENT





Panneau de contrôle et écran d'affichage


FRANÇAIS



1	Indicateur de veille de sécurité (rouge)	Après 23 heures de fonctionnement en continu, l'indicateur rouge de la lampe s'allume pendant une heure.
2	Bouton interrupteur	Démarre et arrête l'appareil.
3	Bouton de contrôle de la vitesse de ventilation	Ajuste la vitesse de ventilation et le volume d'air.
4	Affichage du taux d'humidité	Affiche le taux d'humidité actuel (25-90 %) et le taux d'humidité réglé (30-80 %).
5	Bouton de contrôle de l'humidité	Permet d'ajuster le réglage de l'humidité Le taux d'humidité souhaité est réglable par incréments de 5 pour cent de 30-80 %
6	Bouton de la minuterie	Définit une heure où l'appareil s'arrête automatiquement. Appuyez sur le bouton plusieurs fois pour augmenter l'heure jusqu'à l'arrêt par incréments de 1 heure jusqu'à 12 heures.
7	Indicateur de vérification du filtre	S'allume après 350 heures de fonctionnement. Vérifiez et nettoyez le filtre.
8	Bouton de réinitialisation du filtre	Après le nettoyage du filtre, appuyez pendant trois secondes pour réinitialiser le temps de fonctionnement.
9	Indicateur du réservoir de remplissage	S'allume lorsque le réservoir d'eau est plein.
10	Indicateur de l'auto dégivreur	S'allume lorsque l'appareil est en mode dégivrage.
11	Indicateur de la minuterie	S'allume lorsque la fonction de la minuterie est réglée.

Déshumidification




- 1 Appuyez sur  pour activer l'appareil.
 - Il faut 30 minutes de fonctionnement continu pour atteindre le taux d'humidité souhaité lors de la première utilisation de l'appareil.
 - L'écran affiche le niveau d'humidité actuel.
- 2 Appuyez sur  /  pour modifier l'humidité.
 - Le taux d'humidité souhaité peut être réglé par incrément de 5 pour cent de 30-80 %
 - L'écran affiche le taux d'humidité souhaité pendant qu'il est en mode de réglage et revient au taux d'humidité actuel après 5 secondes.
 - Le taux d'humidité souhaité peut être réglé par incrément de 5 pour cent de 25-90 %.
 - Si le taux d'humidité est en dehors de la portée, l'écran continue à afficher soit 25 % ou 90 %.
- 3 Appuyez sur  pour changer la vitesse de ventilation.

La vitesse du ventilateur possède deux niveaux : faible et élevé.
- 4 Appuyez sur  pour arrêter l'appareil.

! REMARQUE

- Si l'appareil est remis en marche immédiatement après l'arrêt, pour protéger le compresseur, il y aura un délai de 3 minutes jusqu'au redémarrage du compresseur.
- Il est normal que le compresseur provoque une vibration de l'appareil lors du démarrage et de l'arrêt.

Réglage de la minuterie

- 1 Appuyez sur  pour activer l'appareil.
- 2 Appuyez sur  pour régler une heure d'arrêt automatique.
 - Appuyez sur le bouton plusieurs fois pour augmenter l'heure jusqu'à l'arrêt par incrément de 1 heure jusqu'à 12 heures.
- 3 Appuyez  pour annuler la fonction de la minuterie.
 - Appuyez sur le bouton de la minuterie à plusieurs reprises jusqu'à ce que l'indicateur s'éteigne.

! REMARQUE

Vider le réservoir d'eau de vidange avant de définir la fonction de la minuterie.

Si le réservoir d'eau se remplit pendant la fonction de la minuterie, l'indicateur s'allumera pour indiquer que le réservoir est plein et la déshumidification s'arrêtera.

Indicateur de veille de sécurité


- Après 23 heures de fonctionnement en continu, l'indicateur rouge de veille de sécurité se met en marche pendant une heure; le ventilateur et le compresseur s'arrêteront pour éviter toute défaillance de l'appareil.
- Une heure après l'arrêt du ventilateur et du compresseur, l'indicateur de veille de sécurité s'éteindra; le ventilateur et le compresseur redémarrent automatiquement.

Indicateur du réservoir de remplissage

- Videz le réservoir d'eau dans les trois minutes suivant l'activation de l'indicateur avisant d'un réservoir plein.
- Une fois l'indicateur allumé, le ventilateur fonctionnera pendant trois minutes supplémentaires pour retirer toute quantité d'eau de condensation et l'appareil s'arrêtera par la suite.
- Voir la section Vider le réservoir d'eau pour plus d'instructions.

Vérification du filtre

Vérifiez et nettoyez le filtre lorsque l'indicateur de vérification de filtre s'allume.

- Après 350 heures de fonctionnement, l'indicateur de vérification du filtre s'allumera. Vérifiez le filtre et nettoyez-le si nécessaire ou attendez que l'indicateur s'éteigne automatiquement après 24 heures.
- Après le nettoyage du filtre, appuyez et maintenez  pendant trois secondes pour réinitialiser le temps de fonctionnement.

Auto dégivreur

La fonction d'auto dégivreur retire automatiquement tout givre dans l'échangeur de chaleur causé par les faibles températures intérieures.

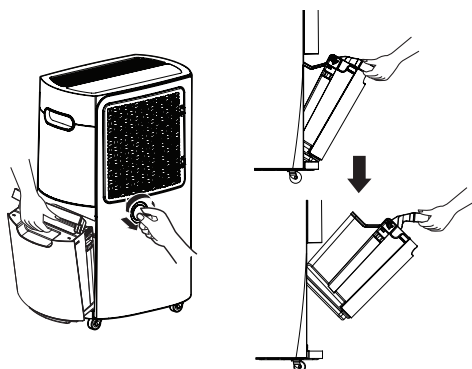
- L'indicateur d'auto dégivreur s'allume lorsque l'appareil dégivre automatiquement l'échangeur de chaleur.
- Le compresseur s'arrête au cours de l'activation de la fonction d'auto dégivreur automatique.

 Auto Defrost

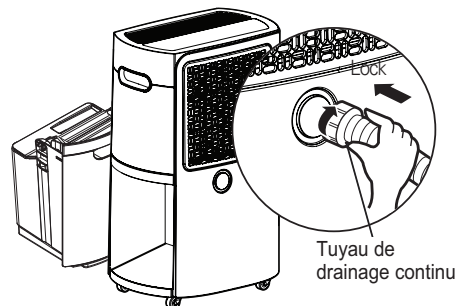
Configuration pour vidange continue

Articles nécessaires :
3/4 po (diamètre extérieur) tuyau fileté d'arrosage près d'un évier ou d'un drain.

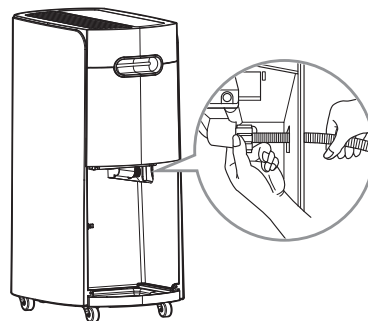
- Débranchez l'appareil. Tournez le couvercle du tuyau à l'arrière de l'appareil dans le sens anti-horaire pour l'ouvrir.
- Retirez le réservoir d'eau.



- Insérez le tuyau d'arrosage dans l'orifice de vidange à l'arrière du boîtier.



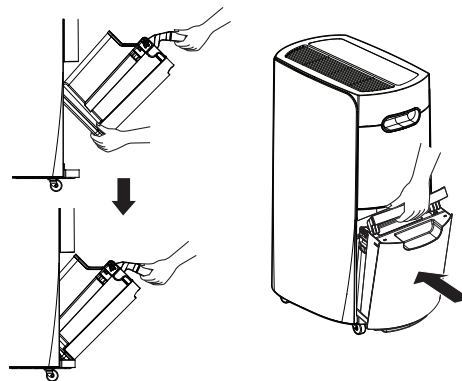
- Tournez l'extrémité du tuyau d'arrosage dans le sens horaire pour l'attacher à la connexion femelle à l'arrière du réservoir d'eau. Fixez fermement le tuyau pour éviter les fuites. Maintenez fermement le tuyau puis refaites-le tourner avec une pince (1/8 de tour).



! MISE EN GARDE

Attention de ne pas vous blesser les mains lorsque vous connectez le tuyau de drainage.

- Réinstallez le réservoir d'eau.

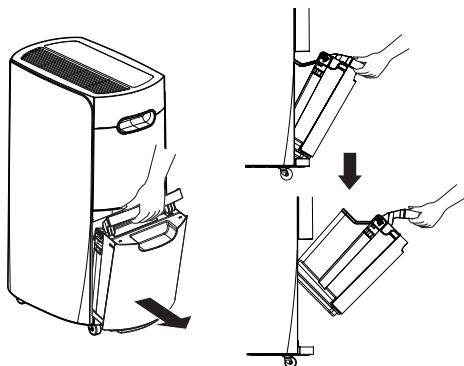


! REMARQUE

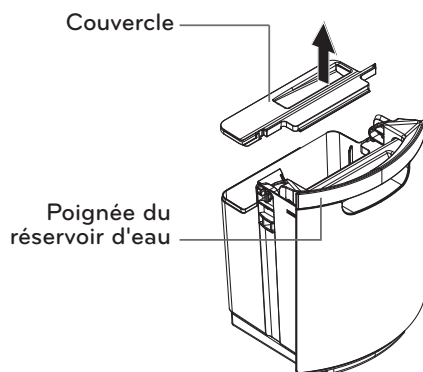
- L'appareil ne peut pas fonctionner si le réservoir d'eau n'est pas installé.
- Un tuyau pour drainage continu peut être acheté au centre du service à la clientèle de LG.

Vider le réservoir d'eau

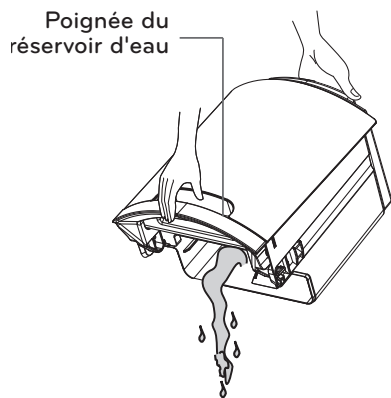
- 1 Tirez doucement sur la poignée supérieure du réservoir d'eau pour enlever le réservoir de l'appareil.



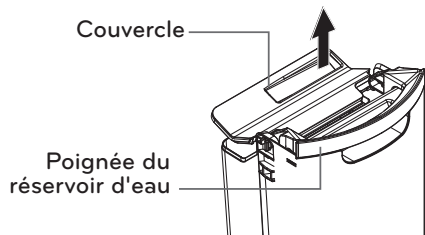
- 2 Soulevez le couvercle du réservoir d'eau.



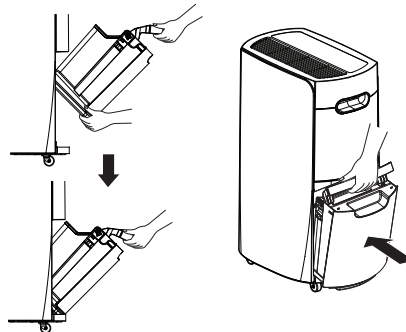
- 3 Retirez l'eau à l'intérieur du réservoir d'eau.



- 4 Remettez le couvercle sur le réservoir d'eau.



- 5 Positionnez le bas du réservoir d'eau en place dans un premier temps et poussez ensuite la partie supérieure en place.

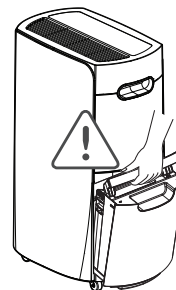


! REMARQUE

- Si le réservoir d'eau est retiré immédiatement après avoir éteint le déshumidificateur, l'eau restant dans l'échangeur de chaleur peut couler dans la zone de stockage du réservoir d'eau. Retirer l'eau avec un chiffon doux.
- Pendant le nettoyage, ne pas toucher au dispositif de détection de l'eau dans la partie intérieure supérieure de la zone de stockage du réservoir d'eau.
- Nettoyer le réservoir d'eau une fois par semaine lors de l'utilisation de l'appareil.
- Si la température ambiante est faible, l'appareil a moins d'humidité dans l'air à disperser.
- Débrancher l'appareil avant de retirer le réservoir d'eau. Si le réservoir est retiré pendant que l'appareil est en fonction, le compresseur s'arrêtera. Le ventilateur fonctionne pendant trois minutes supplémentaires pour retirer la quantité d'eau résiduelle à l'intérieur de l'échangeur de chaleur et s'arrête par la suite.

! MISE EN GARDE

Regarder les points de pincement pour éviter les blessures aux doigts lors de l'installation du réservoir d'eau.



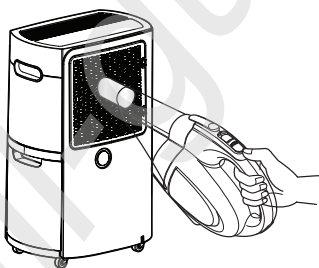
ENTRETIEN

Nettoyage de l'extérieur

Nettoyez l'extérieur du déshumidificateur avec un chiffon doux.

- Ne vaporisez pas l'eau directement sur le produit. Cela peut endommager le revêtement ou la teinte sur la surface de l'appareil.

Utilisez l'aspirateur ou une brosse douce pour retirer la poussière du boîtier du filtre.

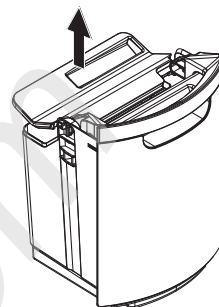


! MISE EN GARDE

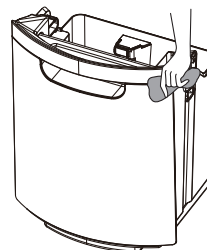
Ne pas utiliser de matériel tel que des diluants, le benzène, les acides ou des éponges pour nettoyer l'appareil. Ces produits peuvent endommager la surface de l'appareil.

Nettoyage du réservoir d'eau

1 Soulevez le couvercle du réservoir.



2 Videz le réservoir d'eau et utilisez le chiffon doux pour retirer toute trace d'humidité restante à l'intérieur.



! MISE EN GARDE

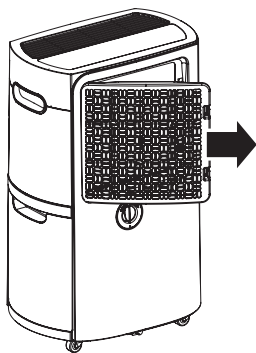
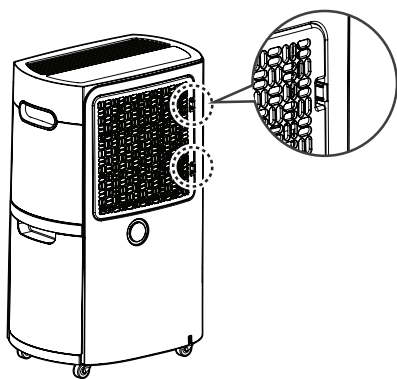
Utiliser l'appareil avec un couvercle manquant ou mal ajusté sur le réservoir d'eau peut engendrer des fuites.

Nettoyage du filtre à air

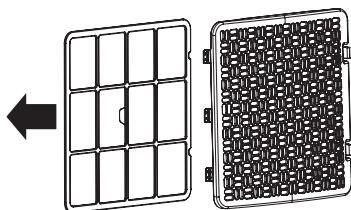
! MISE EN GARDE

- Débrancher l'appareil avant de le nettoyer.
- Laisser les filtres sécher complètement, sans exposition directe au soleil, avant de le réinsérer dans l'appareil. L'utilisation d'un filtre humide peut causer un dysfonctionnement de l'appareil.

- 1 Relâchez les deux crochets à droite du boîtier du filtre, le balancer pour l'ouvrir et le retirer.

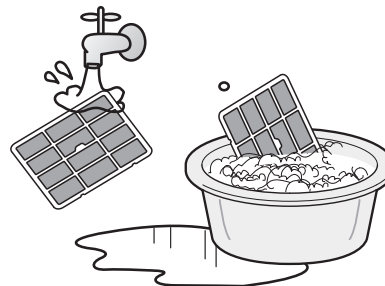


- 2 Tirez sur la languette centrale sur le filtre à air pour le retirer du boîtier du filtre.



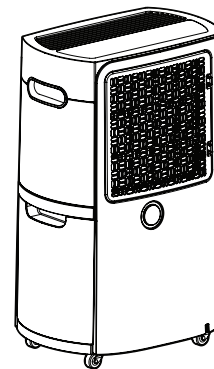
- 3 Nettoyez le filtre à air avec un aspirateur ou une brosse douce.

- Si le filtre est très sale, lavez-le avec de l'eau ou avec un détergent neutre.
- Nettoyez le filtre à air une fois par mois.



- 4 Pliez les côtés du filtre à air légèrement vers l'intérieur pour le réinsérer. Assurez-vous que le filtre est bien ajusté sous les languettes à l'intérieur du boîtier du filtre.

- 5 Alignez les charnières dans le boîtier du filtre avec les ouvertures de la charnière sur l'appareil et balancez le boîtier vers la droite pour relâcher les deux crochets.



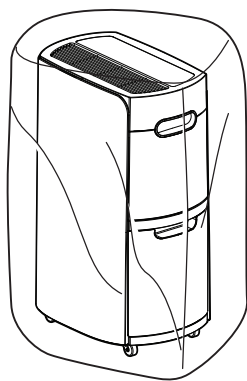
! REMARQUE

Les appels de service pour le nettoyage des filtres à air ne sont pas couverts sous la garantie de l'appareil.

Entreposage de l'appareil

- 1 Débranchez l'appareil.
- 2 Videz complètement le réservoir d'eau.
 - Retirez le couvercle du réservoir d'eau et utilisez un chiffon doux pour l'essuyer et retirer tout excès d'eau dans le réservoir.
- 3 Nettoyez le filtre.
 - Laissez le filtre sécher vigoureusement pendant quelques heures dans une zone ombragée et aérée avant de le réinstaller.
 - Si le filtre est exposé directement au soleil ou près d'une source de chaleur, cela peut déformer l'appareil.
- 4 Pendant le séchage du filtre, placez déshumidificateur loin des rayons directs du soleil dans un endroit bien aéré et laissez-le sécher complètement pendant plusieurs heures.
Réinstallez le filtre et couvrez déshumidificateur avant de le ranger en position verticale.

(La housse de protection contre la poussière pour entreposer le déshumidificateur n'est pas incluse.)



DÉPANNAGE

Si l'appareil ne fonctionne pas correctement ou ne fonctionne pas du tout, effectuez les vérifications suivantes avant d'appeler le service.

Problème	Causes possibles	Solutions
L'appareil ne fonctionne pas.	<ul style="list-style-type: none"> - La fiche d'alimentation n'est pas insérée correctement. - Panne d'électricité. - Le réservoir d'eau n'est pas correctement installé. - L'indicateur du réservoir de remplissage est allumé. - La lumière Décongélation automatique est activée. - Le taux d'humidité configuré est plus élevé que le niveau d'humidité de la pièce. 	<ul style="list-style-type: none"> - Insérer la fiche d'alimentation. - Vérifier les autres appareils. - Installer le réservoir d'eau correctement. - Vider le réservoir d'eau. - Appuyer sur le bouton d'alimentation lorsque l'auto dégivrage est terminée. - Régler le taux d'humidité souhaité en dessous du niveau d'humidité actuel de la pièce.
Il y a peu de déshumidification.	<ul style="list-style-type: none"> - La température de la pièce ou le niveau d'humidité est trop faible. - L'entrée ou la sortie d'air est bloquée. 	<ul style="list-style-type: none"> - Vérifier l'humidité cible. - Il est normal qu'il y ait moins de déshumidification au cours de l'hiver ou dans des zones sèches. - Retirer l'obstruction. - Nettoyer le filtre.
L'humidité ne semble pas diminuer même si l'appareil est en cours d'exécution.	<ul style="list-style-type: none"> - Porte ou fenêtre ouverte. - La pièce est trop grande pour la capacité du déshumidificateur. - L'appareil est positionné près d'un autre appareil produisant de la vapeur d'eau. 	<ul style="list-style-type: none"> - Fermer la porte ou la fenêtre. - Utiliser le déshumidificateur dans une pièce de dimensions adéquates. - Ne pas utiliser le déshumidificateur près d'appareils qui peuvent produire de la vapeur d'eau.
Le taux d'humidité affiché est incorrect.	<ul style="list-style-type: none"> - L'entrée et la sortie d'air du déshumidificateur sont obstruées. - Le déshumidificateur est placé trop loin de la zone humide. 	<ul style="list-style-type: none"> - Éloigner le déshumidificateur des murs et d'autres obstructions. - L'écran du déshumidificateur affiche le taux d'humidité dans sa position actuelle, ce qui peut être différent du niveau d'humidité dans d'autres positions.
L'eau coule à l'intérieur de l'appareil lorsque le réservoir est retiré.	<ul style="list-style-type: none"> - Le réservoir d'eau a été déplacé alors que le produit était en fonction. 	<ul style="list-style-type: none"> - Débrancher l'appareil avant de retirer le réservoir d'eau. - Nettoyer les écoulements avec un chiffon doux.

Appelez pour un service immédiatement dans les situations suivantes.

1. Le cordon d'alimentation est trop chaud ou endommagé.
2. L'appareil continue de fonctionner si le réservoir d'eau est plein, ce qui surcharge le réservoir.

LG DEHUMIDIFIER LIMITED WARRANTY-CANADA

WHAT THIS WARRANTY COVERS:

LG Electronics Canada, Inc. ("LG") warrants your LG Dehumidifier ("product") against defect in materials or workmanship under normal household use, during the warranty period set forth below, LG will, at its option, repair or replace the product. This limited warranty is (except to some extent in Quebec and where otherwise prohibited) valid only to the original retail purchaser of the product, is not assignable or transferrable to any subsequent purchaser or user, and applies only when the product is purchased through an LG authorized dealer or distributor and used within Canada.

Note: Replacement products and repair parts may be new or factory-remanufactured at LG's option and are warranted for the remaining portion of the original unit's warranty period or ninety (90) days, whichever is longer. Please retain dated receipt or delivery ticket as evidence of the Date of Purchase for proof of warranty (you may be required to submit a copy to LG or authorized representative). If the Date of Purchase cannot be verified, the warranty period will begin 15 months from the date of manufacture.

WARRANTY PERIOD:

1 year from the Date of Purchase: **Any internal/ functional Parts and Labor.**

HOW SERVICE IS HANDLED: In-Home Service or Swap SVC

LG may elect, at our option, to provide Swap or In home Service. To receive in-home service, the product must be unobstructed and accessible to service personnel. If during in-home service repair cannot be completed, it may be necessary to remove, repair and return the product. OR LG may elect, at our option, to provide Swap Service by providing an authorized service exchange through the distribution center you originally purchased the product from.

THIS LIMITED WARRANTY DOES NOT COVER:

1. Service trips to deliver, pick up, or install or set up the Product; Instruction on Product use.
2. Adjustments of user controls.
3. Products that have had a serial number or any part thereof altered, defaced or removed.
4. Property damages, malfunction or failure of the product, or personal injury caused by or resulting from:
 - (a) accident, abuse, negligence or misuse;
 - (b) operating the Product in a corrosive or wet environment containing chlorine, fluorine or any other hazardous chemicals;
 - (c) installation, alteration, repair or service by anyone other than a licensed, authorized LG contractor or other than pursuant to the manufacturer's instructions, including installation not in accordance with applicable laws, codes and standards applying in the province in which the Product is installed;
 - (d) improper matching of Product components;
 - (e) improper sizing or design of the Product;
 - (f) improper or deferred maintenance contrary to the manufacturer's instructions;
 - (g) physical abuse to or misuse of the Product (including failure to perform any maintenance as described in the Operation Manual such as air filter cleaning, or any Product damaged by excessive physical or electrical stress);
 - (h) Product used in other than normal use or in any manner contrary to the Operation Manual;
 - (i) freight damage or damage caused by force majeure or other factors such as power surge damage caused by lightning and fluctuations in or interruptions of electrical power.

THIS LIMITED WARRANTY SHALL NOT BE ENLARGED, EXTENDED OR AFFECTED BY, AND NO OBLIGATION OR LIABILITY SHALL ARISE OR GROW OUT OF, LG PROVIDING, DIRECTLY OR INDIRECTLY, ANY TECHNICAL ADVICE, INFORMATION AND/OR SERVICE TO OWNER IN CONNECTION WITH THE PRODUCT. EXCEPT AS OTHERWISE PROVIDED IN THIS LIMITED WARRANTY, LG MAKES NO OTHER WARRANTIES OR CONDITIONS OF ANY KIND WHATSOEVER REGARDING THE PRODUCT. LG DISCLAIMS AND EXCLUDES ALL WARRANTIES AND CONDITIONS NOT EXPRESSLY PROVIDED HEREIN AND ALL REMEDIES WHICH, BUT FOR THIS PROVISION, MIGHT ARISE BY IMPLICATION OR OPERATION OF LAW, INCLUDING, WITHOUT LIMITATION, THE IMPLIED WARRANTIES AND CONDITIONS OF MERCHANTABILITY AND (EXCEPT IN QUEBEC AND WHERE OTHERWISE PROHIBITED) OF FITNESS FOR ANY PARTICULAR PURPOSE. NO ONE IS AUTHORIZED TO CHANGE THIS LIMITED WARRANTY IN ANY RESPECT OR TO CREATE ANY OTHER OBLIGATION OR LIABILITY FOR LG IN CONNECTION WITH THE PRODUCT. LG DISCLAIMS ALL LIABILITY FOR THE ACTS, OMISSIONS AND CONDUCT OF ALL THIRD PARTIES (including, without limitation, the installing contractor) IN CONNECTION WITH OR RELATED TO THE PRODUCT.

UNDER NO CIRCUMSTANCES SHALL LG BE LIABLE FOR ANY INCIDENTAL, SPECIAL, PUNITIVE, EXEMPLARY OR CONSEQUENTIAL DAMAGES INCLUDING, WITHOUT LIMITATION, LOST GOODWILL, LOST REVENUES OR PROFITS, WORK STOPPAGE, PRODUCT FAILURE, IMPAIRMENT OF OTHER GOODS, COSTS OF REMOVAL AND REINSTALLATION OF THE PRODUCT, LOSS OF USE, INJURY TO PERSONS OR PROPERTY ARISING OUT OR RELATED TO THE PRODUCT WHETHER BASED ON BREACH OF WARRANTY, BREACH OF CONTRACT, TORT OR OTHERWISE, EVEN IF LG HAS BEEN ADVISED OF THE POSSIBILITY OF SUCH DAMAGE. IN NO EVENT SHALL LG'S LIABILITY EXCEED THE ACTUAL PURCHASE PRICE OF THE PRODUCT WITH RESPECT TO WHICH ANY CLAIM IS MADE.

SOME PROVINCES (INCLUDING QUEBEC) DO NOT ALLOW LIMITATIONS ON WARRANTIES OR EXCLUSIONS OR LIMITATION OF DAMAGES, SO THE ABOVE LIMITATIONS OR EXCLUSIONS MAY NOT APPLY. Where any term of this warranty is prohibited by such laws, it shall be null and void, but the remainder of this warranty shall remain in effect. THIS LIMITED WARRANTY GIVES THE OWNER SPECIFIC LEGAL RIGHTS AND THE OWNER MAY ALSO HAVE OTHER RIGHTS THAT VARY FROM PROVINCE TO PROVINCE.

HOW TO OBTAIN WARRANTY SERVICE & ADDITIONAL INFORMATION:

Call 1-888-LG-CANADA(542 2623) or visit our website at www.lg.com

Mail to: LG Electronics Canada Inc.
20 Norelco Drive
North York, ON M9L 2X6

GARANTIE LIMITÉE DE DÉSHUMIDIFICATEUR LG

CE QUI EST COUVERT PAR LA GARANTIE

LG Electronics Canada, Inc. (« LG ») garantit votre Déshumidificateur LG (le « produit ») contre les vices de matière et de fabrication en usage ménager normal, pour la période de garantie indiquée ci-après; LG, à son choix, réparera ou remplacera le produit. Cette garantie limitée (sauf dans une certaine mesure au Québec et si autrement interdit) ne s'applique qu'à l'acheteur au détail original du produit, ne peut pas être assignée ni transférée à un acheteur ou utilisateur subséquent, et n'est valide que si le produit est acheté d'un vendeur ou distributeur agréé LG et utilisé au Canada.

Note : Les produits de rechange et les pièces de réparation peuvent être neuves ou remises à neuf, au choix de LG, et sont garantis pour le restant de la période de garantie originale du produit ou quatre-vingt-dix (90) jours, selon la plus longue des deux périodes. Veuillez conserver votre bon de caisse ou de livraison daté comme preuve de date d'achat pour la garantie (on pourra vous demander d'en soumettre une copie à LG ou à son représentant autorisé). Si la date d'achat ne peut pas être vérifiée, la période de garantie débutera 15 mois après la date de manufacture.

DURÉE DE LA GARANTIE :

1 an à compter de la date d'achat : toutes les pièces internes/fonctionnelles et la main-d'oeuvre.

EXÉCUTION DU SERVICE : Service à domicile

LG peut, à son choix, fournir un service au foyer ou d'échange. Service au foyer : le produit doit être à un endroit dégagé, accessible aux préposés. Si une réparation au foyer ne peut pas être effectuée, il faudra peut-être prendre l'unité, la réparer et la ramener chez le client. OU LG peut, à son choix, fournir un service d'échange qui consiste à fournir un produit d'échange autorisé par le centre de distribution duquel le produit a été acheté à l'origine.

CE QUE LA GARANTIE LIMITÉE NE COUVRE PAS

1. Les déplacements de service pour la livraison, la levée ou l'installation ou la mise en marche du produit; les instructions sur l'utilisation du produit.
2. Les ajustements aux commandes d'utilisation.
3. Les produits dont le numéro de série entier ou partiel a été modifié, oblitéré ou éliminé en tout ou en partie.
4. Les dommages à la propriété, le mauvais fonctionnement ou la panne du produit ou des blessures causés ou résultant :
 - (a) d'un accident, d'un abus, d'une négligence ou d'une mauvaise utilisation;
 - (b) de l'utilisation du produit en milieu corrosif ou détrempé contenant du chlore, du fluor ou tout autre produit chimique dangereux;
 - (c) de l'installation, de la modification, de la réparation ou de l'entretien par quiconque autre qu'un entrepreneur LG licencié et agréé ou de façon autre que selon les instructions du fabricant, y compris l'installation non conforme aux lois, codes et normes applicables dans la province où le produit est installé;
 - (d) d'un mauvais appariement des composantes du produit;
 - (e) d'une mauvaise spécification du produit;
 - (f) d'un entretien mal effectué ou retardé, contrairement aux instructions du fabricant;
 - (d) d'un abus physique ou d'une mauvaise utilisation (y compris le manque à effectuer tout entretien décrit dans le mode d'emploi comme le nettoyage du filtre, ou un produit endommagé par tension physique ou électrique excessive);
 - (h) d'un produit utilisé d'une façon autre qu'en usage normal ou d'une façon contraire aux indications dans le mode d'emploi;
 - (i) les dommages en transit ou par force majeure ou tout autre facteur comme une surtension engendrée par la foudre et les fluctuations ou pannes de courant électrique.

CETTE GARANTIE LIMITÉE NE PEUT PAS ÊTRE AUGMENTÉE, PROLONGÉE OU AFFECTÉE NI ENGENDRER D'OBLIGATION OU DE RESPONSABILITÉ PAR LG SUITE À LA FOURNITURE DIRECTE OU INDIRECTE DE CONSEILS TECHNIQUES, DE RENSEIGNEMENTS ET/OU D'UN SERVICE AU PROPRIÉTAIRE EN RAPPORT AVEC LE PRODUIT. SAUF TEL QUE PRÉVU DANS CETTE GARANTIE, LG N'OFFRE AUCUNE AUTRE GARANTIE OU CONDITION QUE CE SOIT CONCERNANT LE PRODUIT. LG DÉCLINE ET EXCLUT TOUTE GARANTIE ET CONDITION NON EXPRESSÉMENT PRÉVUE DANS LA PRÉSENTE, AINSI QUE TOUS LES REMÈDES QUI, HORS DE CETTE PROVISION, POURRAIENT ÊTRE SOULEVÉS PAR IMPLICATION OU APPLICATION D'UNE LOI, Y COMPRIS, MAIS NON DE FAÇON LIMITATIVE, LES GARANTIES ET CONDITIONS IMPLICITES DE BONNE VENTE ET (SAUF AU QUÉBEC ET LÀ OÙ ELLE EST INTERDITE) L'APTITUDE À FOURNIR UNE TÂCHE PARTICULIÈRE. PERSONNE N'EST AUTORISÉ À MODIFIER CETTE GARANTIE LIMITÉE DE QUELQUE FAÇON QUE CE SOIT OU À CRÉER QUELQUE OBLIGATION OU RESPONSABILITÉ QUE CE SOIT AU NOM DE LG EN RAPPORT AVEC LE PRODUIT. LG DÉCLINE TOUTE RESPONSABILITÉ POUR LES ACTES, LES OMISSIONS ET LA CONDUITE DE TIERS (y compris, mais non de façon limitative, l'entrepreneur installateur) CONCERNANT OU EN RAPPORT AVEC LE PRODUIT.

EN AUCUN CAS PEUT-ON TENIR LG RESPONSABLE DES DOMMAGES INDIRECTS, SPÉCIAUX, PUNITIFS, EXEMPLAIRES OU FORTUITS, Y COMPRIS, MAIS NON DE FAÇON LIMITATIVE, LA PERTE D'ACHALANDAGE, LA PERTE DE REVENUS OU DE PROFITS, LES ARRÊTS DE TRAVAIL, LES PANNES DE PRODUIT, LA DÉGRADATION D'AUTRES PRODUITS, LES COÛTS DE RETRAIT ET DE RÉINSTALLATION DU PRODUIT, LA PERTE D'UTILISATION, LES BLESSURES OU LES DOMMAGES À LA PROPRIÉTÉ LIÉS AU PRODUIT, QU'ILS SOIENT FONDÉS SUR UN BRIS DE GARANTIE, BRIS DE CONTRAT, TORT OU AUTRE, MÊME SI LG A ÉTÉ AVISÉ DE LA POSSIBILITÉ DE TELS DOMMAGES. EN AUCUN CAS LA RESPONSABILITÉ DE LG PEUT-ELLE ÊTRE SUPÉRIEURE AU PRIX D'ACHAT DU PRODUIT EN CE QUI A TRAIT À UNE RÉCLAMATION QUELCONQUE.

CERTAINES PROVINCES (Y COMPRIS LE QUÉBEC) NE PERMETTENT PAS LA LIMITE DE GARANTIE OU L'EXCLUSION OU LA LIMITE DES DOMMAGES; CES LIMITES OU EXCLUSIONS PEUVENT NE PAS S'APPLIQUER. Si un terme de cette garantie est interdit par de telles lois, il sera considéré nul et sans effet, mais le reste de la garantie restera en vigueur. CETTE GARANTIE ACCORDE AUX PROPRIÉTAIRES DES DROITS PARTICULIERS AINSI QUE D'AUTRES DROITS QUI PEUVENT VARIER D'UNE PROVINCE À L'AUTRE.

POUR OBTENIR UN SERVICE AU TITRE DE LA GARANTIE OU DES RENSEIGNEMENTS ADDITIONNELS

Composez le 1-888-LG-CANADA(542 2623) ou consultez notre site Web www.lg.com

Poste : Centre de service à la clientèle LG (a/s du : CIC)
20 Norelco Drive
North York, ON M9L 2X6

