



DEHUMIDIFIER

SAFETY INFORMATION3

OPERATING INSTRUCTIONS

Controls4

How the Dehumidifier Operates5

Automatic Defrost5

Choosing a Location5

Removing Collected Water6

Water Level.....7

Bucket Operation.....7

CARE AND CLEANING

Grille and Case8

Water Bucket8

Air Filter.....8

Bucket Filter9

Storage.....9

TROUBLESHOOTING TIPS.....10

ELECTRIC SCHEMATIC DIAGRAM.....12

LIMITED WARRANTY13

CONSUMER SUPPORT14

OWNER'S MANUAL

APEL50
APEW50
APER50

ENGLISH/ESPAÑOL

Write the model and serial numbers here:

Model # _____

Serial # _____

You can find them on a label on the back of the dehumidifier.

THANK YOU FOR MAKING GE APPLIANCES A PART OF YOUR HOME.

Whether you grew up with GE Appliances, or this is your first, we're happy to have you in the family.

We take pride in the craftsmanship, innovation and design that goes into every GE Appliances product, and we think you will too. Among other things, registration of your appliance ensures that we can deliver important product information and warranty details when you need them.

Register your GE appliance now online. Helpful websites and phone numbers are available in the Consumer Support section of this Owner's Manual. You may also mail in the pre-printed registration card included in the packing material.



IMPORTANT SAFETY INFORMATION

READ ALL INSTRUCTIONS BEFORE USING THE APPLIANCE

▲ WARNING

For your safety, the information in this manual must be followed to minimize the risk of fire, electric shock or personal injury.

- Use this appliance only for its intended purpose as described in this Owner's Manual.
- This dehumidifier must be properly installed and grounded as described in this manual before it is used.
- Never operate this dehumidifier in an area that is likely to accumulate standing water. If this condition develops, for your safety disconnect the power supply before stepping into the water.
- Never unplug your dehumidifier by pulling on the power cord. Always grip plug firmly and pull straight out from the receptacle.
- Replace immediately all electric service cords that have become frayed or otherwise damaged. A damaged power supply cord must be replaced with a new power supply cord obtained from the manufacturer and not repaired. Do not use a cord that shows cracks or abrasion damage along its length or at either the plug or connector end.
- If the receptacle does not match the plug, the receptacle must be changed out by a qualified electrician
- If the SUPPLY CORD is damaged, it must be replaced by the manufacturer, its service agent or similiary qualified person in order to avoid a hazard.
- The appliance shall be installed in accordance with national wiring regulations.
- Turn the dehumidifier OFF and unplug it before cleaning.
- GE Appliances does not support any servicing of the dehumidifier. We strongly recommend that you do not attempt to service the dehumidifier yourself.
- For your safety, do not store or use combustible materials, gasoline or other flammable vapors or liquids in the vicinity of this or any other appliance.
- All dehumidifiers contain refrigerants, which under federal law must be removed prior to product disposal. If you are getting rid of an old product with refrigerants, check with the company handling disposal about what to do.
- Do not use outdoors.
- This dehumidifier is intended for indoor residential applications only. This dehumidifier should not be used for commercial or industrial applications.
- These R410A Dehumidifier Systems require contractors and technicians to use tools, equipment and safety standards approved for use with this refrigerant. DO NOT use equipment certified for R22 refrigerant only.
- This appliance can be used by persons with reduced physical, sensory or mental capabilities or lack of experience and knowledge if they have been given supervision or instruction concerning use of the appliance in a safe way and understand the hazards involved.

▲ WARNING

USE OF EXTENSION CORDS

RISK OF FIRE. Could cause serious injury or death.

- DO NOT use an extension cord with this Dehumidifier.
- DO NOT use surge protectors or multi-outlet adaptors with this Dehumidifier.

HOW TO CONNECT ELECTRICITY

Do not, under any circumstances, cut or remove the third (ground) prong from the power cord. For personal safety, this appliance must be properly grounded.

DO NOT use an adapter plug with this appliance.

The power cord of this appliance is equipped with a 3-prong (grounding) plug which mates with a standard 3-prong (grounding) wall outlet to minimize the possibility of electric shock hazard from this appliance.

Have the wall outlet and circuit checked by a qualified electrician to make sure the outlet is properly grounded.

Where a 2-prong wall outlet is encountered, it is your personal responsibility and obligation to have it replaced with a properly grounded 3-prong wall outlet.

The dehumidifier should always be plugged into its own individual electrical outlet, which has a voltage rating matching the rating plate.

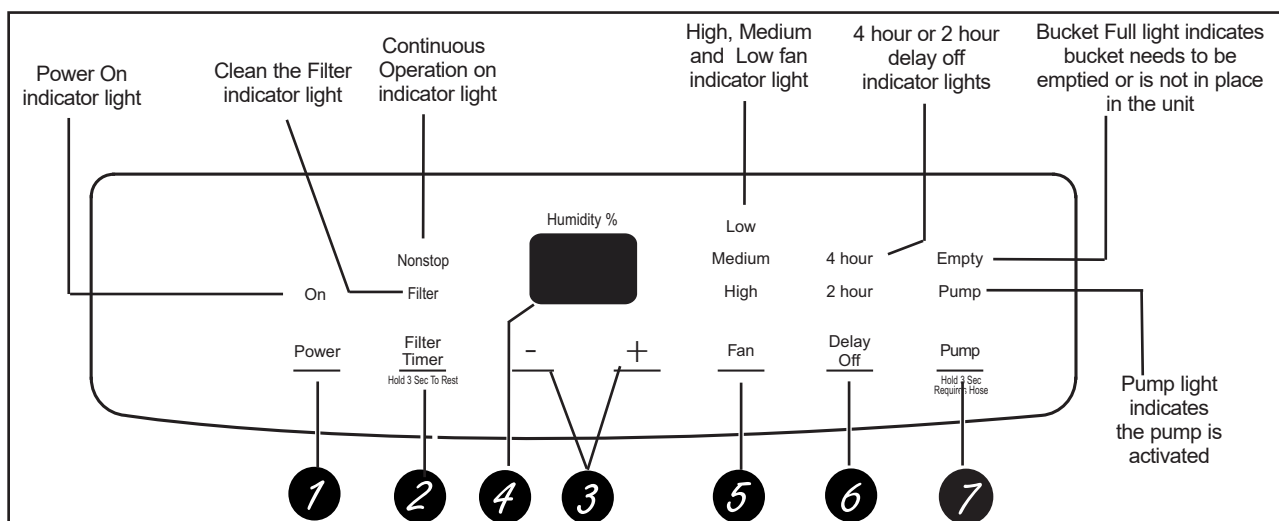
This provides the best performance and also prevents overloading house wiring circuits, which could cause a fire hazard from overheated wires.

RECYCLING INFORMATION

For appliance recycling information please visit www.geappliances.com/recycling.

READ AND SAVE THESE INSTRUCTIONS

Controls



Controls

NOTE: When the bucket is full or removed, the controls cannot be set.

1. Power Pad

Press to turn the dehumidifier on and off.

2. Filter Timer

After 250 hours of operation, the Clean the Filter indicator light will glow to remind you to clean the filter. Remove the filter and clean it.

Press to turn off the Clean the Filter light. See the Care and Cleaning section.

3. Humidity Set Control Pads

The humidity level can be set within a range of 35% RH (Relative Humidity) to 80% RH (Relative Humidity) in 5% increments or at NS for continuous operation. To set the unit for continuous operation, press the – pad until the screen reads NS.

NOTE: If NS (Nonstop) is selected, the dehumidifier will operate continuously at its maximum dehumidification settings if attached to a hose to drain or until the bucket is full.

For drier air, press the – pad and set to a lower percent value (%).

For damper air, press the + pad and set to a higher percent value (%).

When you first use the dehumidifier, set the humidity control to 45% or 50%. Allow at least 24 hours for the dehumidifier to achieve the humidity level. If you still have damper air than desired, set the humidity level to a lower setting or select Nonstop for maximum dehumidification.

4. Display

Shows the set % humidity level while setting, then shows the actual (+/- 5% accuracy) room % humidity level.

5. Fan Speed Pad

Controls the fan speed.

Press to select either High, Medium or Low fan speed.

Set the fan control to High for maximum moisture removal. When the humidity has been reduced and quiet operation is preferred, set the fan control to Medium or Low.

6. Delay Off

While the dehumidifier is in operation, press this pad to set it to automatically turn off in 2 hours or 4 hours.

7. Pump

Activates the internal pump function. Press for 3 seconds to activate the internal pump for automatic removal of condensate. The internal pump indicator light will remain illuminated after 3 seconds. Press to deactivate the pump.

Other Features

Empty Light

Glow when the bucket is ready to be emptied, or when the bucket is removed or not replaced in the proper position.

Alarm

If the bucket is full or missing for more than 3 minutes, an alarm will sound for about 10 seconds to remind you to empty and replace the bucket.

Auto Shut Off

The Water Level Control Switch shuts off the dehumidifier when the bucket is full, or when the bucket is removed

or not replaced in the proper position. **NOTE:** Fan will continue to run approximately 3 minutes after bucket is removed.

Auto Defrost

When frost builds up on the evaporator coils, the compressor will cycle off and the fan will continue to run until the frost disappears.

Power Outage

In the case of a power outage or interruption, the unit will automatically restart, in the settings last used, after the power is restored.

Using the Dehumidifier

When first using the dehumidifier, operate the unit continuously for 24 hours.

How the Dehumidifier Operates

Moist, humid air is drawn over a cold refrigerated dehumidifying coil. Moisture in the air condenses on this coil and drains into a bucket (or through a hose and drain).

Dry, clean air is drawn through the condenser where it is heated and discharged out the top grille into the room.

It is normal for the surrounding air to become slightly warmer as the dehumidifier operates.

Automatic Defrost

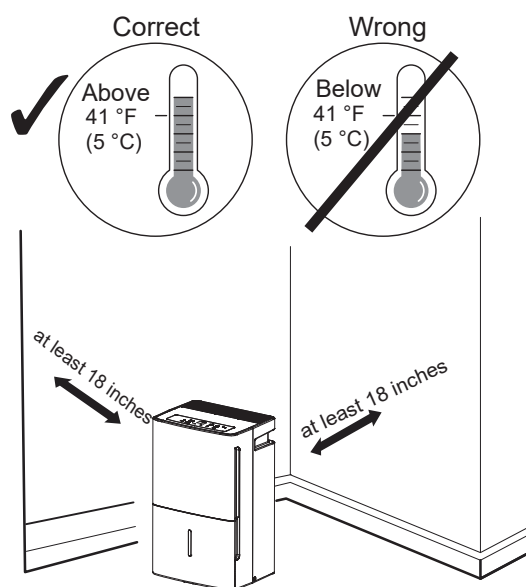
When frost builds up on the evaporator coils, the compressor will cycle off and the fan will continue to run until the frost disappears.

When the coil is defrosted, the compressor or fan will automatically restart and dehumidifying will resume.

Choosing a Location

A dehumidifier operating in a basement will have little or no effect in drying an adjacent enclosed storage area, such as a closet, unless there is adequate circulation of air in and out of the area.

- **Do not use outdoors.**
- This dehumidifier is intended for indoor residential applications only. This dehumidifier should not be used for commercial or industrial applications.
- Place the dehumidifier on a smooth, level floor strong enough to support the unit with a full bucket of water.
- Allow at least 18 inches of air space on all sides of the unit for good air circulation.
- Place the dehumidifier in an area where the temperature will not fall below 41°F (5°C) or above 90°F (32°C). The coils can become covered with frost at temperatures below 41°F, which may reduce performance.
- The suggested range of relative humidity is between 30% and 90%
- Use the dehumidifier in cooking, laundry, bathing and dishwashing areas that have excessive moisture.
NOTE: Place the dehumidifier away from the clothes dryer.
- Use the dehumidifier to prevent moisture damage anywhere books or valuables are stored.
- Use the dehumidifier in a basement to help prevent moisture damage.
- The dehumidifier must be operated in an enclosed area to be most effective.
- Close all doors, windows and other outside openings to the room.



NOTE: The dehumidifier has rollers to aid placement, but it should only be rolled on smooth, flat surfaces. Do not attempt to roll the dehumidifier on carpet or over objects.

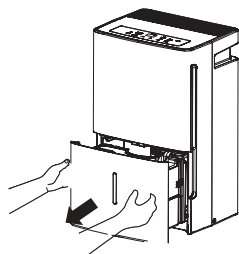
Using the Dehumidifier

Always make sure the water bucket is locked into place on the dehumidifier.

Removing Collected Water

There are 3 ways to remove collected water:

Use the bucket. When the bucket is removed, the unit will shut off. Empty and replace the bucket.

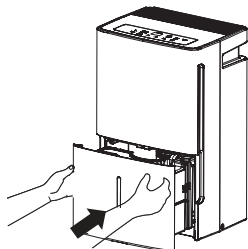


IMPORTANT: Do not use the hose if using the bucket to collect water. When the hose is connected, water will flow through it onto the floor instead of into the bucket.

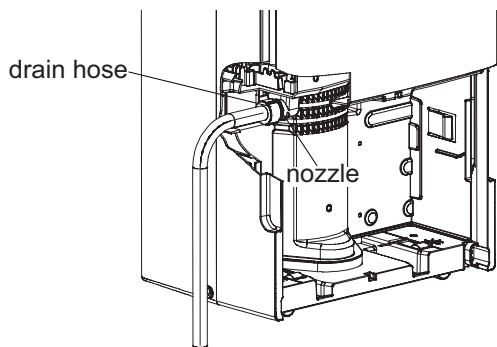
NOTES:

- Do not remove the bucket while the dehumidifier is operating or if it has just stopped operating. This might cause some water to drip from the drain pan.
- The bucket must be in place and securely seated for the dehumidifier to operate.

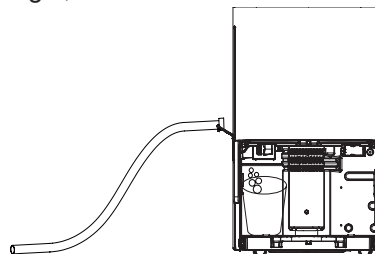
Use a hose. Water can be automatically emptied into a floor drain by attaching a garden water hose (not included).



1. Remove the bucket from the front of the unit.
2. Open the drain cover on the side of the unit.



3. Thread a garden hose (not supplied) onto the nozzle, cut to length, and lead it to the floor drain.



4. Replace the bucket in the unit.

NOTE: The bucket must be in place and securely seated for the dehumidifier to operate.

Use the internal pump. Water can be automatically emptied into a remote location by attaching the included pump hose.

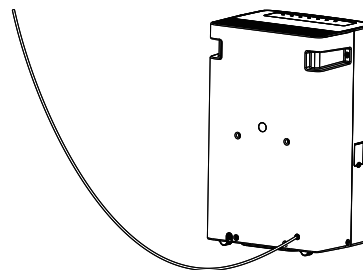
1. Attach the pump hose to the hose connector by pushing the tube fitting into the connector until it fits into place (should not be able to remove the hose when pulled).
2. Position the hose discharge to the desired location.
3. Make sure the pump is activated. To activate the pump, press and hold the Pump button for 3 seconds. The Pump indicator light will flash then remain illuminated once the 3 seconds are complete.

IMPORTANT: Pump will not begin removing water until the bucket is full. After pump button has been activated by holding for 3 seconds, the pump will remain on stand-by. When bucket is full, pump will automatically begin removing water and stop when bucket is emptied. This cycle will continue until pump button is deactivated.

IMPORTANT: Make sure the condensate hose is properly connected and is not kinked, bent or cracked as this may cause water to flow onto the floor. The bucket must also be fully seated for the pump to work properly. Do not operate the machine if the room temperature is 32°F or below.

NOTES:

- Maximum lift height is 16ft.
- The bucket must be in place and securely seated for the dehumidifier and pump to operate. Make sure to install hose (included) before activating the pump.

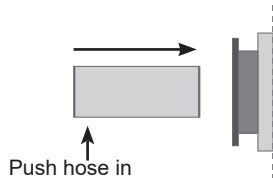


Using the Dehumidifier

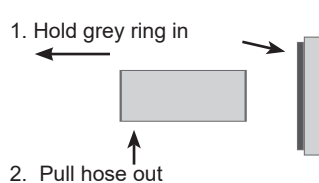
Removing Collected Water (Continued)

To Install Hose: Push in hose and gently pull to make sure it is secure. Should not be able to be removed.

NOTE: DO NOT kink or crimp hose, as it can block water flow.



To Release Hose: Hold the grey ring while pulling to remove.



Water Level

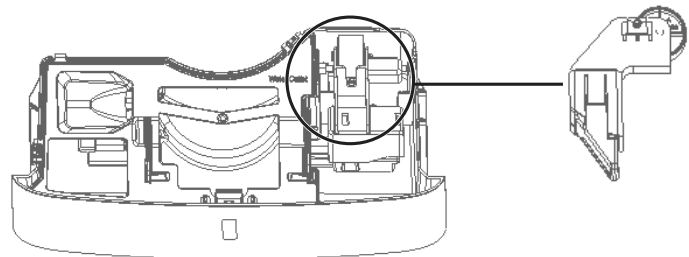
The dehumidifier will turn off automatically when the bucket is full, or when the bucket is removed or not placed in the proper position.

The bucket must be replaced in the proper position for the dehumidifier to work. The bucket full light will be on and the dehumidifier will not run if the bucket is not in the proper position.

Bucket Operation

DO NOT remove the foam piece in the bucket assembly. If removed the Dehumidifier will not work properly.

When the coil is defrosted, the compressor or fan will automatically restart and dehumidifying will resume.



Care and Cleaning

Turn off the dehumidifier and remove the plug from the wall outlet before cleaning.

Grille and Case

To clean the case:

Use water and a mild detergent. Do not use bleach or abrasives.

To clean the front grille:

Use a vacuum attachment or brush.

Water Bucket

To clean:

Every few weeks, clean the bucket to prevent growth of mold, mildew and bacteria. Partially fill the bucket with clean water and add a little mild detergent. Swish it around in the bucket, empty and rinse.

NOTE: Do not use a dishwasher to clean the water bucket.

To remove:

Remove the bucket and pour out any water.

To replace:

Slide the bucket into the dehumidifier.

NOTE: The bucket must be in place and securely seated for the dehumidifier to operate.

Air Filter

The air filter behind the front grille should be checked and cleaned at least every 250 hours of operation or more often if necessary.

After 250 hours of operation, the Clean the Filter indicator light will glow to remind you to clean the filter. Remove the filter and clean it. Replace the filter and press the Filter Timer pad to turn off the Clean the Filter light.

To remove:

Remove the bucket. Grasp the filter edge, and pull it straight down and out.

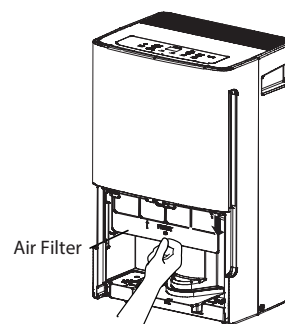
To clean:

Clean the filter with warm, soapy water. Rinse and let the filter dry before replacing it.

NOTE: DO NOT put the filter in an automatic dishwasher.

CAUTION

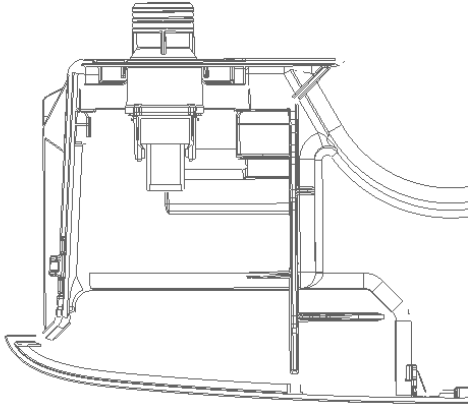
DO NOT operate the dehumidifier without a filter because dirt and lint will clog it and reduce performance.



Care and Cleaning

Bucket Filter

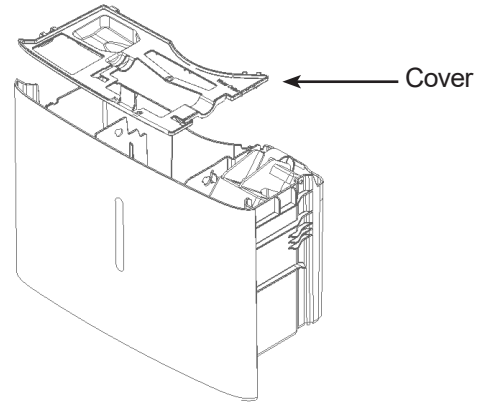
The bucket filter is located inside the bucket near the bottom. The filter should be checked when cleaning the bucket. If the filter has any debris on it, gently remove the filter as described below and rinse with warm water. Replace the filter in the bucket once it is clean.



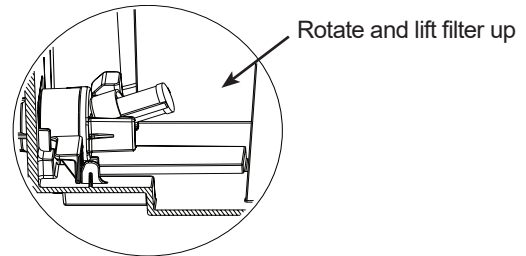
IMPORTANT: Be careful not to tear or damage filter during removal, cleaning or replacement. Do not use the dishwasher to clean the filter.

TO REMOVE THE FILTER:

1. Squeeze both clasp inward to disengage clasp clips from water tank cover. Lift the cover upwards to remove.



2. Lift the end of the filter upwards to remove the filter.



TO REPLACE THE FILTER:

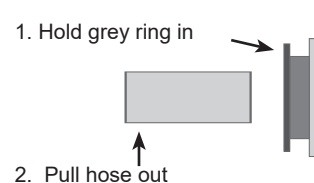
3. Place large end of filter above tabs, press filter down firmly to spread tabs. Once filter is between tabs press filter inward to engage tabs into filter.
4. Replace water tank cover and handle.

Storage

If the unit is to be stored for an extended period of time, take the following actions before putting away the machine.

1. Empty the bucket of all water.
2. Clean the water bucket and bucket filter per instructions.
3. Allow water bucket to dry and reinstall.
4. Remove pump hose and store with unit.

To Release Hose: Hold the grey ring while pulling the hose to remove.



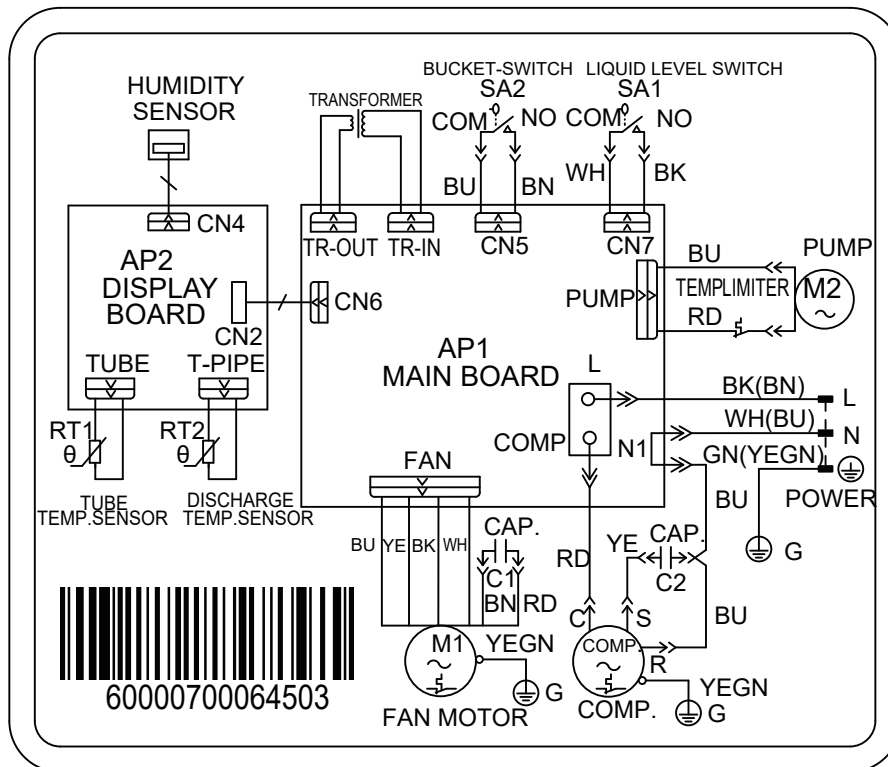
Troubleshooting Tips... Before you call for service

Save time and money! Review the charts on the following pages first and you may not need to call for service.

Problem	Possible Cause	What To Do
Dehumidifier does not start	The dehumidifier is unplugged.	Makes sure the dehumidifier's plug is pushed completely into the outlet.
	The fuse is blown/circuit breaker is tripped.	Check the house fuse/circuit breaker box and replace the fuse or reset the breaker.
	Dehumidifier has reached its preset level or bucket is full.	The dehumidifier automatically turns off when either condition occurs. Change to a lower setting or empty the bucket and replace properly.
	Bucket is not in the proper position.	The bucket must be in place and securely seated for the dehumidifier to operate.
	Power Failure.	There is a protective time delay (up to 3 minutes) to prevent tripping of the compressor overload. For this reason, the unit may not start normal dehumidification for 3 minutes after turning back on.
Dehumidifier does not dry the air as it should	Did not allow enough time to remove the moisture.	When first installed, allow at least 24 hours to maintain the desired dryness.
	Airflow is restricted.	Make sure there are no curtains, blinds or furniture blocking the front or back of the dehumidifier. See the Choosing a Location section.
	Dirty Filter	See the Care and Cleaning section.
	The Humidity Control may not be set low enough.	For drier air, press the – pad and set to a lower percent value (%) or at NS (Nonstop) for maximum dehumidification.
	Doors and windows may not be closed tightly.	Check that all doors, windows and other openings are securely closed.
	Clothes dryer may be blowing moisture-laden air into the room.	Install the dehumidifier away from the dryer. The dryer should be vented to the outside.
	Room temperature is too low.	Moisture removal is best at higher room temperatures. Lower room temperatures will reduce the moisture removal rate. Models are designed to be operated at temperatures above 41°F (5°C).
Dehumidifier runs too much	Area to be dehumidified is too large.	The capacity of your dehumidifier may not be adequate.
	Doors and windows are open.	Close all doors and windows to the outside.
Frost appears on the coils	Dehumidifier has been turned on recently, or room temperature is below 41°F (5°C)	This is normal. Frost will usually disappear within 60 minutes. See the Automatic Defrost section
Control cannot be set	The compressor will turn off and the fan will automatically continue to run for approximately 3 minutes at a fixed setting.	This is normal. Wait approximately 3 minutes and set the fan as desired.
Fan noise	Air is moving through the dehumidifier.	This is normal.
Water on floor	Hose connection may be loose.	Check the hose connection. See the Removing Collected Water section.
	Intended to use the bucket to collect water, but a hose was attached.	Disconnect the hose if using a bucket to collect water. See the Removing Collected Water section.
Bucket Full LED light flashing and alarm sounds while drain hose is connected.	Drain hose not tight on fitting.	Check drain hose connection.
	Drain hose is kinked.	Ensure the drain hose is pointed straight down to the floor and is not kinked in anyway.

Electric Schematic Diagram

The electric schematic diagram is subject to change without notice.
Please refer to the correct one on the unit.



GE Appliances Dehumidifier Limited Warranty

LIMITED WARRANTY

For The Period Of:	GE Appliances Will Replace:
One Year From the date of the original purchase	Replacement unit for any product which fails due to a defect in materials or workmanship. The replacement unit is warranted for the remainder of your product's original one-year warranty period. The replacement unit may either be a new unit or a refurbished unit.

In Order to Make a Warranty Claim During the First 90 Days from the Date of Original Purchase:

- Properly pack your unit. We recommend using the original carton and packing materials.
- Return the product to the retail location where it was purchased.
- Include in the package a copy of the sales receipt or other evidence of date of original purchase. Also print your name and address and a description of the defect.

In Order to Make a Warranty Claim During the Remainder of the One-Year Warranty:

- Locate your original sales receipt and make a note of your model and serial number.
- Call GE Appliances at 800.432.2737 to initiate the product replacement process.
- You will be asked to provide your name, address, date of purchase, model and serial number.
- GE Appliances will arrange for a carton to be sent to your home to recover the product.
- You must return the product (postage pre-paid by GE Appliances) to GE Appliance's recovery center before a replacement unit will be provided. Please include a description of the defect.
- You should receive your replacement product within 7 to 10 business days after your unit is received.

What GE Appliances Will Not Cover:

- Customer instruction. This owner's manual provides information regarding operating instructions and user controls.
- Improper installation. If you have an installation problem, or if the product is of improper capacity, contact your dealer or installer. You are responsible for providing adequate electrical connecting facilities.
- Failure of the product resulting from modifications to the product or due to unreasonable use including failure to provide reasonable and necessary maintenance.
- Replacement of house fuses or resetting of circuit breakers.
- Failure due to corrosion.
- Damage to the product caused by improper power supply voltage, accident, fire, floods or acts of God.
- Incidental or consequential damage caused by possible defects with this product.
- Damage caused after delivery.

EXCLUSION OF IMPLIED WARRANTIES—Your sole and exclusive remedy is product repair as provided in this Limited Warranty. Any implied warranties, including the implied warranties of merchantability or fitness for a particular purpose, are limited to one year or the shortest period allowed by law.

This limited warranty is extended to the original purchaser and any succeeding owner for products purchased for home use within the USA.

Some states do not allow the exclusion or limitation of incidental or consequential damages. This limited warranty gives you specific legal rights, and you may also have other rights which vary from state to state. To know what your legal rights are, consult your local or state consumer affairs office or your state's Attorney General.

Exclusion of implied warranties: Except where prohibited or restricted by law, there are no warranties, whether express, oral or statutory which extend beyond the description on the face hereof, including specifically the implied warranties of merchantability or fitness for a particular purpose.

**Warrantor: GE Appliances, a Haier company
Louisville, KY 40225**

Staple your receipt here. Proof of the original purchase date is needed to obtain service under the warranty.

Consumer Support

GE Appliances Website

Have a question or need assistance with your appliance? Try the GE Appliances Website 24 hours a day, any day of the year! You can also shop for more great GE Appliances products and take advantage of all our on-line support services designed for your convenience. In the US: **GEAppliances.com**

Register Your Appliance

Register your new appliance on-line at your convenience! Timely product registration will allow for enhanced communication and prompt service under the terms of your warranty, should the need arise. You may also mail in the pre-printed registration card included in the packing material. In the US: **GEAppliances.com/register**

Schedule Service

Expert GE Appliances repair service is only one step away from your door. Get on-line and schedule your service at your convenience any day of the year. In the US: **GEAppliances.com/service** or call 800.432.2737 during normal business hours.

Extended Warranties

Purchase a GE Appliances extended warranty and learn about special discounts that are available while your warranty is still in effect. You can purchase it on-line anytime. GE Appliances Services will still be there after your warranty expires. In the US: **GEAppliances.com/extended-warranty** or call 800.626.2224 during normal business hours.

Remote Connectivity

For assistance with wireless network connectivity (for models with remote enable), visit our website at **GEAppliances.com/connect** or call 800.220.6899 in the US.

Parts and Accessories

Individuals qualified to service their own appliances can have parts or accessories sent directly to their homes (VISA, MasterCard and Discover cards are accepted). Order on-line today 24 hours every day. In the US: **GEApplianceparts.com** or by phone at 877.959.8688 during normal business hours.

Instructions contained in this manual cover procedures to be performed by any user. Other servicing generally should be referred to qualified service personnel. Caution must be exercised, since improper servicing may cause unsafe operation.

Contact Us

If you are not satisfied with the service you receive from GE Appliances, contact us on our Website with all the details including your phone number, or write to:

In the US: General Manager, Customer Relations | GE Appliances, Appliance Park | Louisville, KY 40225
GEAppliances.com/contact



DESHUMEDIFICADOR

INFORMACIÓN DE SEGURIDAD3

INSTRUCCIONES DE OPERACIÓN

Controles4
 Cómo funciona el deshumedificador5
 Descongelado automático5
 Selección del lugar adecuad5
 Cómo desechar el agua acumulada6
 Nivel de agua7
 Funcionamiento del Balde7

CUIDADO Y LIMPIEZA

Rejilla y gabinete8
 Tanque de agua8
 Filtro de aire8
 Filtro del Cubo9
 Almacenamiento.....9

CONSEJOS PARA LA SOLUCIÓN DE PROBLEMAS10

CONSEJOS PARA LA SOLUCIÓN DE PROBLEMAS10

ESQUEMA ELÉCTRICO.....12

GARANTÍA LIMITADA13

AYUDA AL CLIENTE14

MANUAL DEL PROPIETARIO

APEL50
APEW50
APER50

Escriba los números de modelo y serie aquí:

de Modelo _____

de Serie _____

Puede encontrar estos números en una etiqueta en la parte atrás del deshumedificador.

GRACIAS POR HACER QUE GE APPLIANCES SEA PARTE DE SU HOGAR.

Ya sea que haya crecido usando GE Appliances, o que ésta es su primera vez, nos complace tenerlo en la familia.

Sentimos orgullo por el nivel de arte, innovación y diseño de cada uno de los electrodomésticos de GE Appliances, y creemos que usted también. Entre otras cosas, el registro de su electrodoméstico asegura que podamos entregarle información importante del producto y detalles de la garantía cuando los necesite.

Registre su electrodoméstico GE ahora a través de Internet. Sitios Web y números telefónicos útiles están disponibles en la sección de Soporte para el Consumidor de este Manual del Propietario.

También puede enviar una carta en la tarjeta de inscripción preimpresa que se incluye con el material embalado.



GE APPLIANCES

INFORMACIÓN IMPORTANTE DE SEGURIDAD

LEA TODAS LAS INSTRUCCIONES ANTES DE USAR ESTE ELECTRODOMÉSTICO

⚠ ADVERTENCIA

Por su seguridad, se debe seguir la información en este manual para minimizar el riesgo de incendios, descargas eléctricas o lesiones personales.

- Use este electrodoméstico solamente para el propósito determinado según se describe en este Manual del propietario.
- Este deshumificador debe instalarse correctamente y conectado a tierra de acuerdo con las instrucciones de este manual antes de su uso.
- Nunca opere este deshumificador en un área en la que es posible que se acumule agua. De encontrarse en estas condiciones, por su seguridad, desconecte el suministro de corriente eléctrica antes de pisar sobre el agua.
- Nunca desenchufe su deshumificador tirando del cable eléctrico. Siempre agarre firmemente el enchufe y tire de él directamente hacia afuera.
- Reemplace inmediatamente todos los cables eléctricos que se hayan pelado o que se hayan dañado de alguna otra manera. Un cable de corriente dañado no debe repararse, sino que debe ser sustituido por uno nuevo que se adquiera del fabricante. No use un cable eléctrico que muestre evidencias de deterioro, o daños de abrasión en su superficie en alguno de sus extremos.
- Si el receptáculo no coincide con el enchufe, un electricista calificado debe reemplazar el receptáculo.
- Si el CABLE DE ALIMENTACION está dañado, deberá ser reemplazado por el fabricante, su agente de servicios o una persona con calificación similar a fin de evitar riesgos.
- El electrodoméstico deberá ser instalado de acuerdo con las regulaciones de cableado nacionales.
- Apague el control y desenchufe su deshumificador antes de hacer cualquier reparación o limpiar.
- GE Appliances no está no apoya que se le proporcione ningún servicio al deshumificador. Vehementemente recomendamos que usted no intente proporcionar servicio al deshumificador usted mismo.
- Por su seguridad, no almacene ni use materiales combustibles, gasolina u otros vapores o líquidos inflamables en la proximidad de éste o algún otro electrodoméstico.
- No use el deshumificador en exteriores.
- Este deshumificador está diseñado exclusivamente para aplicaciones residenciales de interior. No debe usarse para aplicaciones comerciales ni industriales.
- Estos Sistemas Deshumificadores R410A requieren que los contratistas y técnicos utilicen herramientas, equipamiento y normas de seguridad aprobadas para su uso con este refrigerante. NO utilice equipamiento certificado sólo para refrigerante R22.
- Este electrodoméstico puede ser usado por personas con capacidades físicas, sensoriales o mentales reducidas o con falta de experiencia y conocimiento, si les fue dada supervisión o instrucción relacionada con el uso de este electrodoméstico de una forma segura y entienden los riesgos involucrados.

⚠ ADVERTENCIA

USO DE PROLONGADORES

RIESGO DE INCENDIO. Podría ocasionar lesiones graves o la muerte.

- NO use prolongadores con este Deshumificador.
- NO use protectores contra picos de corriente ni adaptadores para múltiples tomacorrientes con este Deshumificador.

COMO CONECTAR LA ELECTRICIDAD

Bajo ninguna circunstancia, corte o remueva la tercera púa (tierra) del cable eléctrico. En pos de la seguridad personal, este electrodoméstico debe siempre conectarse a tierra.

NO USE un enchufe adaptador con este aparato.

El cable eléctrico de este electrodoméstico está equipado con un enchufe de tres púas (tierra) que combina con un tomacorriente estándar de tres tomas de pared para minimizar la posibilidad de una descarga eléctrica.

Pida a un técnico que inspeccione el tomacorriente y el circuito para cerciorarse de que el tomacorriente está conectado a tierra de la manera apropiada.

Donde exista un tomacorriente de dos tomas, es su responsabilidad y obligación personal hacer que dicho tomacorriente sea reemplazado por uno de tres tomas con conexión a tierra.

El deshumificador debería siempre estar conectado a un tomacorriente individual con su circuito de voltaje correspondiente.

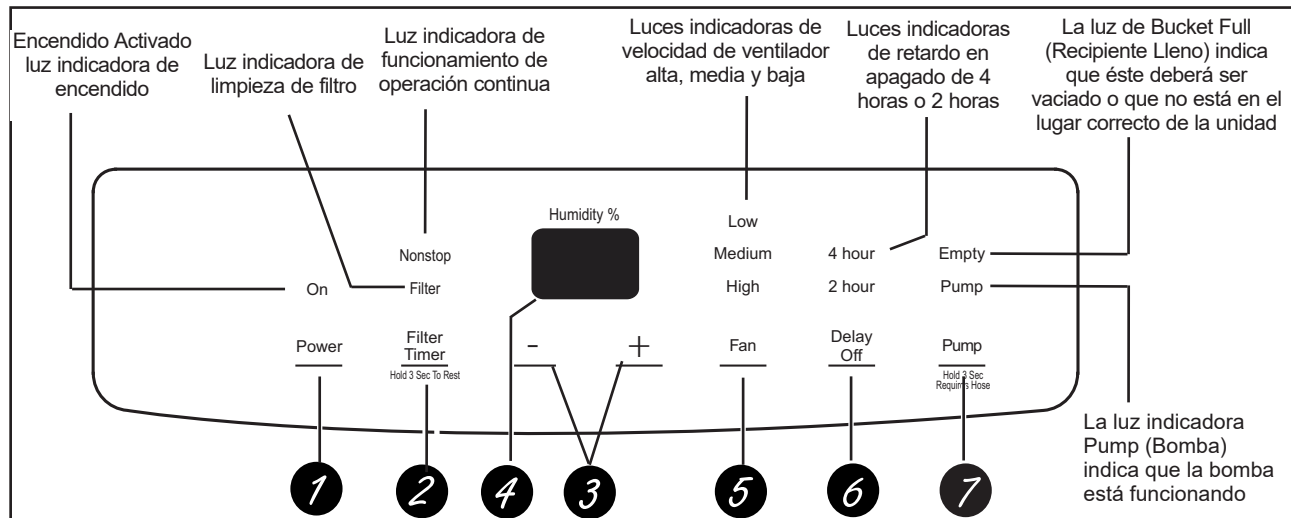
Esto proporciona el mayor rendimiento y además evita que los circuitos del resto de la casa se sobrecarguen, lo cual podría causar incendios por el sobrecalentamiento del cableado.

INFORMACIÓN SOBRE CÓMO RECICLAR

Para acceder a información sobre como reciclar sus electrodomésticos, ingrese a www.geappliances.com/recycling.

LEA Y GUARDE ESTAS INSTRUCCIONES

Controles



Controls

NOTA: Cuando el recipiente está lleno o es retirado, los controles no pueden ser ajustados.

1. Power Pad

Presione para encender o apagar el deshumidificador.

2. Temporizador del filtro (Filter Timer)

Después de 250 horas de operación, se encenderá la luz indicadora de Clean the Filter (Limpieza de filtro) para recordarle que debe limpiar el filtro. Quite el filtro y límpielo.

Presione para apagar la luz de Clean the Filter (Limpieza de filtro) light. Ver la sección Cuidado y limpieza.

3. Botones para el Control de humedad (Humidity Set Control)

La humedad se puede controlar a niveles de entre 35% HR (humedad relativa) – 80% HR (humedad relativa) en incrementos del 5% o con NS para un funcionamiento continuo. Para configurar la unidad en operación continua, presione la flecha hacia abajo hasta que se observe NS en la pantalla.

NOTA: Si se selecciona NS (Nonstop), el deshumidificador funcionará en forma continua en la configuración máxima de deshumidificación hasta que se llene el tanque.

Si desea aire más seco, presione el botón – y seleccione un valor porcentual más bajo (%).

Si desea aire más húmedo, presione el botón + y seleccione un valor porcentual más alto (%).

Cuando use por primera vez el deshumidificador, coloque el control del deshumidificador a 45% ó 50%. Permita que transcurran por lo menos 24 horas para que el deshumidificador alcance el nivel de humedad. Si el

aire aún está más húmedo de lo deseado, ajuste el nivel de humedad a un nivel menor o seleccione el botón de funcionamiento continuo (Nonstop) para obtener una máxima deshumidificación.

4. Pantalla

Muestra el % del nivel de humedad programado durante la configuración, luego muestra el % del nivel de humedad real de la habitación (con una precisión de +/- 5%).

5. Botón de velocidad del ventilador (Fan Speed)

Controla la velocidad de circulación del aire.

Presione para seleccionar la velocidad del ventilador en alta (High), medio (Medium) o bajo (Low).

Coloque el control del ventilador a alta (High) velocidad para lograr remover la mayor cantidad de humedad. Cuando la humedad haya sido reducida y usted prefiera una operación más tranquila, coloque el control del ventilador a medio (Medium) o bajo (Low) velocidad.

6. Retardo en apagado (Delay Off)

Mientras el deshumidificador se encuentra en funcionamiento, presione este botón para que se apague automáticamente a las 2 horas o a las 4 horas.

7. Bomba

Activa la función de la bomba interna. Presione durante 3 segundos para activar la bomba interna para el retiro automático del condensado. La luz indicadora Pump On (Bomba Encendida) titilará y luego permanecerá iluminada una vez completados los 3 segundos.

Presione para desactivar la bomba.

Otras funciones

Luz de Recipiente Vacío

Este indicador se ilumina cuando el tanque está lleno y debiera vaciarse, o cuando el recipiente se remueva o no esté colocado en la posición correcta.

Alarma (Alarm)

Si el tanque se encuentra lleno o no está en su lugar por más de tres minutos, sonará una alarma durante 10 segundos para recordarle de vaciar y volver a colocar el tanque.

Apagado automático (AUTO SHUT OFF)

El Interruptor de control de nivel de agua apaga el deshumidificador cuando el tanque está lleno, o cuando el

tanque no esté presente o no esté colocado en una posición apropiada. **NOTA:** El ventilador seguirá funcionando durante aproximadamente 3 minutos después de quitar el tanque

Descongelado automático (AUTO DEFROST)

Cuando se acumule escarcha en los serpentines evaporadores, el compresor se apagará, y el ventilador continuará funcionando hasta que la escarcha desaparezca.

Pérdida de energía (POWER OUTAGE)

En caso de la pérdida de la energía o interrupción, la unidad reiniciará automáticamente, en las configuraciones usadas por última vez, una vez la energía sea restablecida.

Cómo usar el deshumedificador

Cuando se disponga a usar el deshumedificador por primera vez, permita que la unidad opere de manera continua por 24 horas.

Cómo funciona el deshumedificador

La humedad en el aire pasa por un serpentín deshumedificador. La humedad en el aire se condensa en este serpentín y se drena hacia el tanque (o a través de la manguera y luego través del drenaje).

El aire limpio y seco pasa luego por el condensador donde es calentado y desechado de regreso al medio ambiente a través de la parrilla.

Es normal que el aire en los alrededores se caliente un poco conforme el deshumedificador funciona.

Descongelado automático

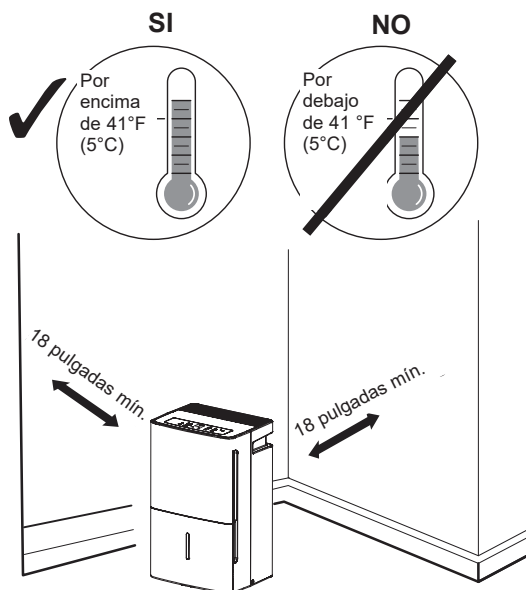
Cuando se acumule escarcha en los serpentines evaporadores, el compresor se apagará, y el ventilador continuará funcionando hasta que la escarcha desaparezca.

Cuando el evaporador se descongele, el compresor o el ventilador se encenderá automáticamente y el proceso de deshumidificación continuará.

Selección del lugar adecuado

El deshumedificador ubicado en un sótano tendrá poco o ningún efecto en secar el aire dentro áreas adyacentes de almacenamiento, como un armario, por ejemplo, al menos que exista una circulación adecuada de aire hacia en interior y hacia el exterior de dicha área.

- No use el deshumedificador en exteriores.
- Este deshumedificador está diseñado exclusivamente para aplicaciones residenciales de interior. No debe usarse para aplicaciones comerciales ni industriales.
- Coloque el deshumedificador en un piso firme y nivelado que sea lo suficientemente fuerte para soportar la unidad cuando la cubeta esté llena de agua.
- Deje por lo menos 18 pulgadas de espacio libre alrededor de la unidad para que exista una buena circulación de aire.
- Coloque el deshumedificador en un área en la que la temperatura no sea inferior a 41 °F (5 °C) ni superior a 90°F (32°C). Los serpentines pueden escarcharse en ambientes con temperaturas inferiores a 41 °F (5 °C), lo cual puede reducir su rendimiento.
- El rango sugerido o la humedad relativa está entre 30% y 90%.
- Use el deshumedificador en áreas como la cocina, cuartos de lavado, baños, y en áreas donde exista humedad excesiva. **NOTA:** Coloque el deshumedificador lejos la secadora de ropa.
- Use el deshumedificador para evitar daños causados por la humedad en lugares donde guarde libros o artículos de valor.
- Use el deshumedificador en el sótano para ayudar a prevenir los daños causados por la humedad.
- El deshumedificador debe usarse en áreas cerradas para mayor efectividad.
- Cierre todas las puertas, ventanas y otras aberturas hacia el exterior de la habitación en donde esté el deshumedificador.



NOTA: El deshumedificador tiene ruedas para ayudarlo a colocarlo en distintos lugares, pero debe rodarse en superficies firmes y plantas. No intente rodarlo sobre objetos o sobre una alfombra.

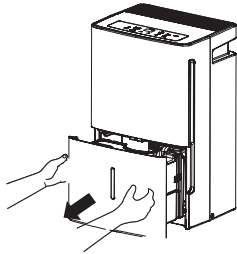
Cómo usar el deshumedificador

Siempre cerciórese de que la tanque de agua esté asegurada en su lugar dentro del deshumedificador.

Cómo desechar el agua acumulada

Hay 2 formas de desechar el agua acumulada

Use el tanque. Cuando usted saque el tanque de su lugar, la unidad se apagará. Vacíe y reinstalelo.

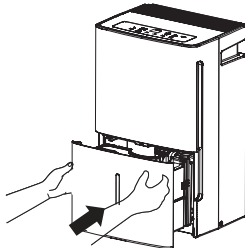


IMPORTANTE: No use el manguera si usa el tanque para recoger agua. Si el manguera está conectada, el agua caerá al piso en lugar de caer dentro del tanque.

NOTAS:

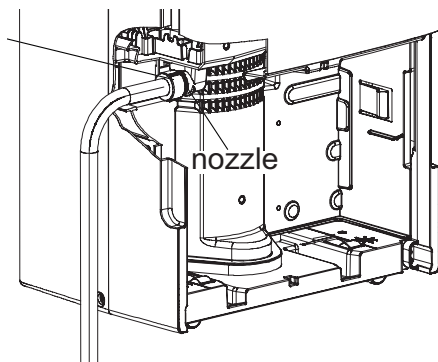
- No retire el balde con el deshumedificador en funcionamiento o si recién se apago. Esto puede hacer que el agua gotee del recipiente de drenaje.
- El tanque debe estar en su lugar y bien sujeto para que el deshumedificador funcione.

Use una manguera. El agua puede desecharse automáticamente hacia un drenaje en el piso si usted conecta el tubo de drenaje con boquilla de la unidad a una manguera para agua de jardín (no incluida).



1. Saque el tanque del frente de la unidad.
2. Abra la tapa de drenaje sobre el lado de
3. Enrosque una manguera para jardín (no provista) en la boquilla, cut to length, y diríjala al drenaje de piso.
4. Vuelva a colocar el tanque en la unidad.

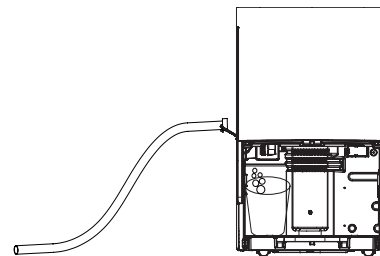
Manguera de Desagüe



NOTA: El tanque debe estar en su lugar y bien sujeto para que el deshumedificador funcione.

Use la bomba interna. El agua puede ser vaciada de forma automática en una ubicación remota, adhiriendo la manguera incluida de la bomba.

1. Adhiera la manguera de la bomba al conector de la manguera, presionando el accesorio de la tubería en el conector hasta que quede colocada correctamente (usted no debería poder retirar la manguera al empujar).
2. Posicione la descarga de la manguera en la ubicación deseada.
3. Asegúrese de que la bomba esté activada. Para activar la bomba, mantenga presionado el botón Pump On/Off (Bomba Activada/Desactivada) durante 3 segundos. La luz indicadora Pump On (Bomba Encendida) titilará y luego permanecerá iluminada una vez completados los 3 segundos.



4. Vuelva a colocar el cucharón en la unidad.

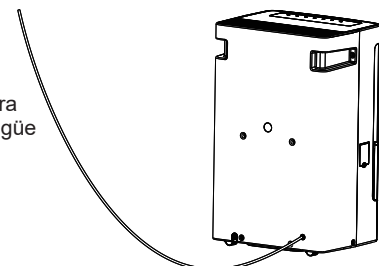
La bomba no comenzará a eliminar agua hasta que el balde esté lleno. Después de que el botón de la bomba se haya activado al mantener presionado durante 3 segundos, la bomba permanecerá en espera. Cuando el cucharón está lleno, la bomba comenzará a eliminar agua automáticamente y se detendrá cuando se vacíe el cucharón. Este ciclo continuará hasta que se desactive el botón de la bomba.

IMPORTANTE: Asegúrese de que la manguera para condensado esté correctamente conectada y que no esté retorcida, inclinada ni fisurada, ya que esto puede hacer que caiga agua al piso. El cubo también debe estar completamente apoyado para que la bomba funcione de forma correcta. No utilice la máquina si la temperatura ambiente es de 32°F o inferior.

NOTAS:

- La altura máxima de elevación es de 16 pies.
- El cubo debe estar correctamente colocado y apoyado de forma segura para que el deshumidificador y la bomba funcionen. Asegúrese de instalar la manguera (incluida) antes de activar la bomba.

Manguera de Desagüe

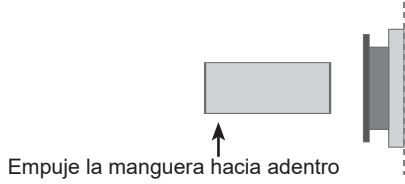


Cómo usar el deshumidificador

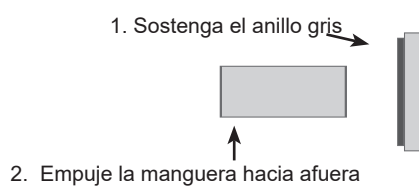
Cómo desechar el agua acumulada (cont.)

Para Instalar la Manguera: Empuje la manguera hacia adentro y de forma suave empuje la misma hacia usted para controlar que esté bien asegurada. No debe poder ser eliminado.

NOTE: NO retuerza ni pellizque la manguera, ya que esto puede bloquear el flujo de agua.



Para Liberar la Manguera: Sostenga el anillo gris mientras empuja hacia usted para retirar la misma.



Nivel de agua

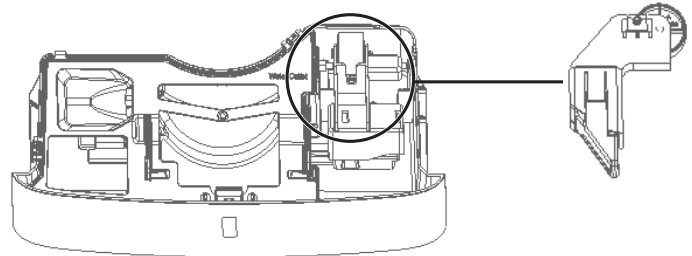
El deshumidificador se apagará automáticamente cuando el tanque se llene, o cuando el tanque sea removido o no sea colocado en la posición apropiada.

El tanque debe colocarse en la posición apropiada para que el deshumidificador funcione. La luz de cubeta llena estará encendida y el deshumidificador no funcionará si la cubeta no está en la posición correcta.

Funcionamiento del Balde

NO retire la pieza de espuma en la junta del balde. Si se retira, el Deshumidificador no funcionará correctamente.

Cuando la bobina esté descongelada, el compresor o el ventilador se reiniciarán de forma automática y la deshumidificación será reiniciada.



Cuidado y limpieza

Apague el deshumificador y desconecte el enchufe del tomacorriente en la pared antes de limpiarlo.

Rejilla y gabinete

Para limpiar el gabinete:

Use agua y un detergente de baja concentración. No use blanqueador ni limpiadores abrasivos.

Para limpiar la rejilla:

Use una aspiradora con accesorio de cepillo suave o un cepillo de mano.

Tanque de agua

Para limpiar:

Después de algunas semanas, limpie el tanque para evitar la formación de moho, mildiú y bacterias. Llene parcialmente el tanque con agua limpia y agregue un poco de detergente suave. Agite el contenido dentro del tanque, luego vacíelo y enjuáguelo.

NOTA: No use una máquina lavavajillas para limpiar el tanque de agua.

Para retirar:

Retire el tanque y deseche todo resto de agua.

Para volver a colocar:

Coloque el tanque en el deshumificador deslizándolo.

NOTA: El tanque debe estar en su lugar y bien sujeto para que el deshumificador funcione.

Filtro de aire

El filtro de aire detrás de la rejilla frontal debe inspeccionarse y limpiarse por lo menos cada 250 horas o más a menudo si fuese necesario.

Después de 250 horas de operación, se encenderá la luz indicadora de Clean the Filter (limpieza de filtro) para recordarle que debe limpiar el filtro. Quite el filtro y límpielo. Vuelva a colocar el filtro y presione el botón Filter Timer (temporizador del filtro) para apagar la luz Clean the Filter (limpieza del filtro).

Para retirarlo:

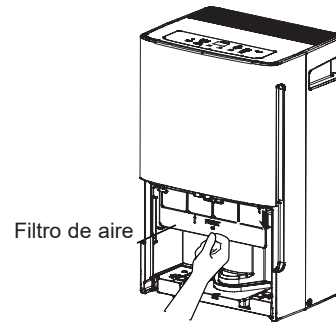
Quite el tanque, tome el extremo del filtro y jale hacia abajo y afuera.

Para limpiar:

Limpie el filtro con agua tibia y jabón. Enjuáguelo y permita que se seque antes de colocarlo otra vez en su lugar.

NOTA: NO lave el filtro usando una máquina lavavajillas automática

⚠ PRECAUCIÓN NO OPERE el deshumificador sin el filtro debido a que la suciedad y las pelusas lo obstruirán y reducirán su rendimiento.

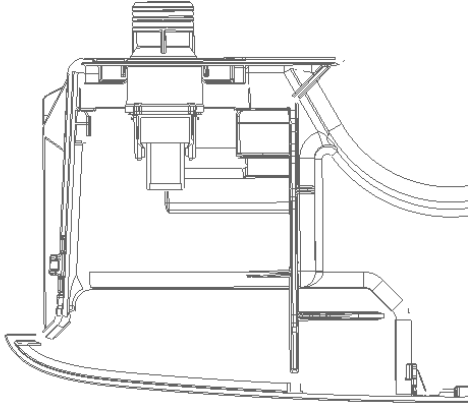


Filtro de aire

Cuidado y limpieza

Filtro del Cubo

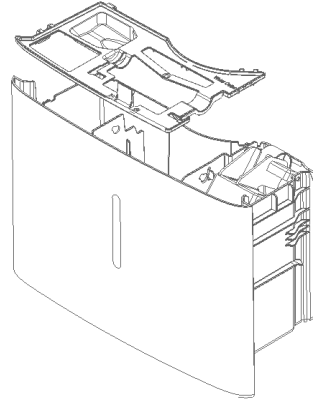
El filtro del cubo está ubicado dentro del cubo cerca de la parte inferior. Ver la Figura 1. El filtro debe ser controlado al limpiar el cubo. Si hay desechos en el filtro, de forma suave retire el filtro como se describe a continuación y enjuague el mismo con agua caliente. Reemplace el filtro en el cubo una vez que este último esté limpio.



IMPORTANT: Tenga el cuidado de no rasgar ni dañar el filtro durante su retiro, limpieza o reemplazo. No use el lavavajillas para limpiar el filtro.

PARA RETIRAR EL FILTRO:

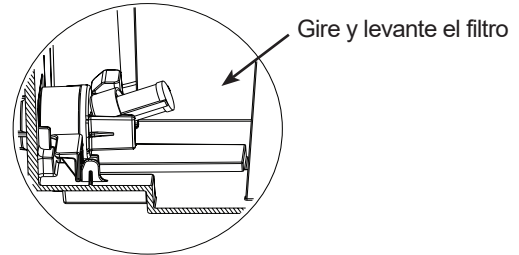
1. Presione ambas abrazaderas hacia adentro para desconectar sus sujetadores de la tapa del tanque de agua. Levante la tapa hacia arriba para retirar la misma.



2. Levante el extremo del filtro hacia arriba para retirar el mismo.

PARA REEMPLAZAR EL FILTRO:

3. Coloque el extremo grande del filtro sobre las lengüetas, y presione el filtro hacia abajo de manera firme para esparcir las lengüetas. Una vez que el filtro esté entre las lengüetas, presione el filtro hacia dentro para conectar las lengüetas en el filtro..
4. Reemplace la tapa y la manija del tanque de agua.



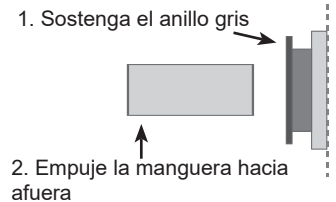
Almacenamiento

Si la unidad estará almacenada durante un período de tiempo prolongado, realice las siguientes acciones antes de guardar la máquina.

1. Vacíe toda el agua del cubo.
2. Limpie el cubo de agua y el filtro del cubo de acuerdo con las instrucciones.
3. Deje que el cubo de agua se seque y vuelva a instalar el mismo.

4. Retire la manguera de agua y guarde la misma con la unidad.

Para Liberar la Manguera: Sostenga el anillo gris mientras empuja la manguera hacia usted para retirar la misma.



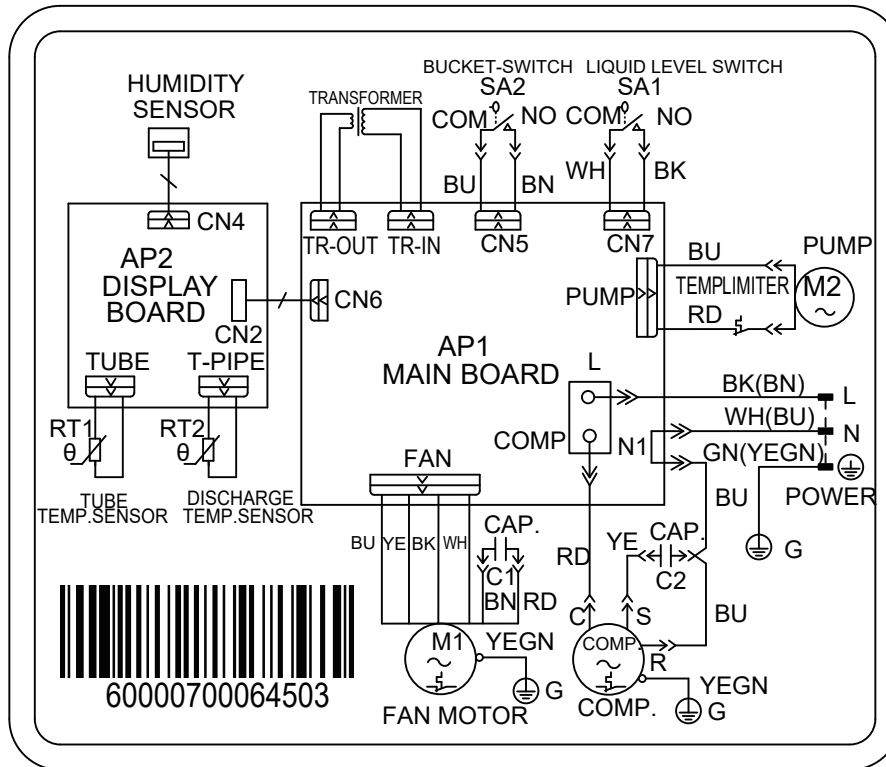
Consejos para la Solución de Problemas... Antes de solicitar el servicio técnico

¡Ahorre tiempo y dinero! Primero revise los cuadros que aparecen en las siguientes páginas y es posible que no necesite solicitar reparaciones.

Problema	Causas posibles	Qué hacer
El deshumificador no enciende	El cable eléctrico del deshumificador está desenchufado.	Cerchiórese de que la clavija del deshumificador esté conectada en la pared.
	El fusible está quemado o el disyuntor del circuito está abierto.	Revise la caja del disyuntor del circuito ó el fusible; cambie el fusible o vuelva activar el disyuntor.
	El deshumificador ha alcanzado su nivel preseleccionado o el tanque de agua está lleno.	El deshumificador se apaga automáticamente cuando ocurre alguna de las dos condiciones. Cambie a una configuración más baja o vacíe el tanque de agua y reinstale apropiadamente.
	El tanque no está en su lugar.	El tanque debe estar en su lugar y bien sujeto para que el deshumificador funcione.
	Corte de energía.	Hay una demora protectora (de hasta 3 minutos) para prevenir la interrupción de la sobrecarga del compresor. Por esa razón, la unidad no reiniciará la deshumidificación a los 3 minutos de haber sido encendida de nuevo.
Deshumificador no seca el aire como debiera	No ha pasado suficiente tiempo para que seque el aire.	Cuando se instala por primera vez, deje que pasen 24 horas para que se mantenga el nivel de humedad deseada.
	Hay escasa circulación de aire.	Cerchiórese de que no haya cortinas, persianas o muebles que bloqueen la parte posterior ó al frente del deshumificador. Vea la sección Seleccione del lugar adecuado.
	Filtro sucio	Vea la sección de Cuidado y limpieza.
	El Control de humedad no está ajustado lo suficientemente bajo.	Para aire más seco, presione el botón y seleccione un valor porcentual más bajo (%) o en NS (Nonstop) para obtener una máxima deshumidificación.
	Las puertas y ventanas no están cerradas completamente.	Revise que todas las puertas, ventanas y otras aberturas están cerradas completamente.
	El secador de ropa podría estar generando aire húmedo en el recinto.	Instale el deshumificador lejos de la secadora de ropa. El secador debe desechar el aire hacia el exterior.
	La temperatura del recinto está demasiado baja.	La deshumidificación es mejor a temperaturas ambiente altas. Temperaturas bajas causan bajo rendimiento de deshumidificación. Modelos están diseñada para funcionar a temperaturas por encima de 41 °F (5 °C).
El deshumificador trabaja demasiado	El volumen de aire a deshumidificar es excesivo.	La capacidad de su deshumificador no están adecuada.
	Las puertas y ventanas están abiertas.	Cierre todas las puertas y ventanas que den al exterior.
Se forma escarcha en el serpentín	El deshumificador ha sido encendido hace poco o la temperatura del recinto es inferior a 41 °F (5 °C).	Esto es normal. La escarcha normalmente desaparecerá en 60 minutos. Vea la sección de Descongelado automático (Automatic defrost).
Los controles no se pueden configurar	El compresor se apaga, y el ventilador sigue funcionando automáticamente durante aproximadamente 3 minutos a una configuración fija.	Esto es normal. Espere aproximadamente 3 minutos y coloque el ventilador lo desee.
El ventilador hace ruido	El aire se mueve a través del deshumificador.	Esto es normal.
Hay agua en el piso	La conexione a la manguera está floja.	Inspeccione la conexione a la manguera. Consulte la sección Cómo desechar el agua acumulada.
	Intenta usar el tanque para recoger agua, pero el manguera está colocada.	Desconecte el manguera si usa el tanque para recoger agua. Consulte la sección Cómo desechar el agua acumulada.
La luz LED de Tanque Lleno destella y suena la alarma	La manguera de drenaje no está bien ajustada en el accesorio	Verifique la conexión de la manguera de drenaje
	La manguera de drenaje está torcida	Verifique que la manguera de drenaje apunte en forma recta hacia el piso y que no se encuentre torcida.

Esquema Eléctrico

Los esquemas eléctricos están sujetos a cambios sin aviso previo. .
 Por favor consulte el esquema específico en la unidad.



GE Appliances Garantía Limitada de su Deshumificador

GARANTÍA LIMITADA

Por el período de:	Nosotros reemplazaremos:
Un año A partir de la fecha de la compra original	Unidad de reemplazo para cualquier producto que falle debido a defectos en los materiales o en el proceso de fabricación. La unidad de reemplazo está garantizada para el resto del período de un año de garantía original del producto. La unidad de reemplazo puede ser una nueva o una reparada.

Si desea realizar una queja durante los primeros 90 días de la garantía desde la fecha original de compra:

- **Empaque su unidad apropiadamente. Recomendamos usar el cartón original y los materiales de empaquetado.**
- **Regrese el producto al local de ventas donde usted lo compró.**
- **Incluya en el paquete una copia del recibo de venta u otra evidencia de la fecha original de la compra. Además imprima su nombre y dirección y una descripción del defecto.**

Si desea hacer una queja durante el año de garantía restante:

- **Ubique a su receptor original de ventas y haga una nota indicando su modelo y número de serie.**
- **Llame a GE Appliances al 1.866.907.1655 a fin de iniciar el proceso de reemplazo del producto.**
- **Se le pedirá que dé su nombre, domicilio, fecha de adquisición, modelo y número de serie.**
- **GE hará arreglos para que se envíe una caja a su hogar a fin de que pueda recuperar el producto.**
- **Deberá entregar el producto (con los gastos de correo previamente cubiertos por GE) al centro de recuperación de GE para que se pueda entregar una unidad de reemplazo. Incluya una descripción del defecto.**
- **Deberá recibir el producto de reemplazo entre los 7 y 10 días hábiles luego de que hayamos recibido su unidad.**

Lo que no está cubierto:

- **Instrucciones al cliente. El Manual del propietario proporciona información acerca de las instrucciones de operación y de los controles del usuario.**
- **Instalación o entrega inapropiada, o mantenimiento impropio. Si usted tiene un problema durante la instalación, o si su producto no tiene la capacidad que usted necesita, póngase en contacto con nuestro distribuidor. Usted es responsable de proporcionar las instalaciones eléctricas y de plomerías necesarias.**
- **Fallo del producto resultante de modificaciones al producto o debido a uso irrazonable incluyendo no proporcionar mantenimiento razonable y necesario.**
- **Reemplazo de fusibles de la casa o reajuste del sistema de circuitos.**
- **Fallo debido a la corrosión.**
- **Daño al producto causado por voltaje inapropiado hacia el equipo, accidentes, incendios, inundaciones o actos de la naturaleza de fuerza mayor.**
- **Daños incidentales o consecuenciales causados por defectos posibles con este producto.**
- **Causar daños después de la entrega.**

EXCLUSIÓN DE GARANTÍAS IMPLÍCITAS—Su único y exclusivo derecho es el reemplazo del producto, tal y como se indica en esta Garantía limitada. Cualquier garantía implícita, incluyendo las garantías implícitas de comerciabilidad o adecuación para un fin determinado, están limitadas a un año o el período de tiempo más breve permitido por la ley.

Esta garantía limitada se extiende al comprador original y cualquier comprador posterior de productos comprados para uso residencial dentro de Estados Unidos.

Algunos estados no permiten la exclusión o las limitaciones de daños incidentales o consecuenciales. Esta garantía limitada da derechos legales específicos, y usted podría tener otros derechos que variarán de estado a estado. Para saber cuáles son sus derechos legales, consulte a la oficina de asuntos del consumidor local o la oficina del Attorney General en su localidad.

Exclusión de garantías implicadas: Excepto donde está prohibido o restringido por la ley, no hay garantías, expresas, orales o estatutarias que extiendan más allá de la descripción específica, incluyendo específicamente las garantías implicadas de comerciabilidad o propiedad para un propósito particular.

**Garante: GE Appliances, a Haier company
Louisville, KY 40225**

Aproveche su recibo aquí. Para acceder al servicio técnico de acuerdo con la garantía deberá contar con la prueba de la fecha original de compra.

Soporte al Cliente

GE Appliances Sitio Web

¿Desea realizar una consulta o necesita ayuda con su electrodoméstico? ¡Intente a través del Sitio Web de Electrodomésticos de GE Appliances las 24 horas del día, cualquier día del año! Usted también puede comprar más grandiosos productos de GE Appliances y sacar ventaja de todos nuestros servicios a través de Internet diseñados para su conveniencia.
En EE.UU.: GEAppliances.com

Registre su Electrodoméstico

¡Registre su electrodoméstico nuevo a través de Internet, según su conveniencia! Un registro puntual de su producto permitirá una mejor comunicación y un servicio más puntual de acuerdo con los términos de su garantía, en caso de surgir la necesidad. También puede enviar una carta en la tarjeta de inscripción pre-impresa que se incluye con el material embalado.
En EE.UU.: GEAppliances.com/register

Servicio Programado

El servicio de reparación de expertos de GE Appliances está a sólo un paso de su puerta. ¡Conéctese a través de Internet y programe su servicio a su conveniencia cualquier día del año! En EE.UU.: GEAppliances.com/service o llame al 800.432.2737 durante el horario comercial habitual.

Garantías Extendidas

Adquiera una garantía extendida de GE Appliances y aprenda sobre descuentos especiales que están disponibles mientras su garantía aún está vigente. La puede adquirir en cualquier momento a través de Internet. Los Servicios de GE Appliances aún estarán allí cuando su garantía caduque. En EE.UU.: GEAppliances.com/extended-warranty o llame al 800.626.2224 durante el horario comercial habitual.

Conectividad Remota

Para solicitar asistencia con la conectividad de red inalámbrica (para modelos con activación remota), visite nuestro sitio Web en GEAppliances.com/connect o llame al 800.220.6899 en EE.UU.

Piezas y Accesorios

Individuos calificados para realizar el servicio técnico de sus propios electrodomésticos podrán solicitar el envío de piezas o accesorios directamente a sus hogares (se aceptan las tarjetas VISA, MasterCard y Discover). Ordene a través de Internet hoy durante las 24 horas del día. En EE.UU.: GEApplianceparts.com o por teléfono al 877.959.8688 durante el horario comercial habitual.

Las instrucciones que figuran en este manual cubren los procedimientos que serán realizados por cualquier usuario. Otros servicios técnicos generalmente deberían ser derivados a personal calificado del servicio. Se deberá tener cuidado, ya que una reparación indebida podrá ocasionar que el funcionamiento no sea seguro.

Contáctenos

Si no se encuentra satisfecho con el servicio que recibió de GE Appliances, comuníquese con nosotros a través de nuestro sitio Web con todos los detalles, incluyendo su número telefónico, o escriba a:

En EE.UU.: General Manager, Customer Relations | GE Appliances, Appliance Park | Louisville, KY 40225
GEAppliances.com/contact