

Danby®

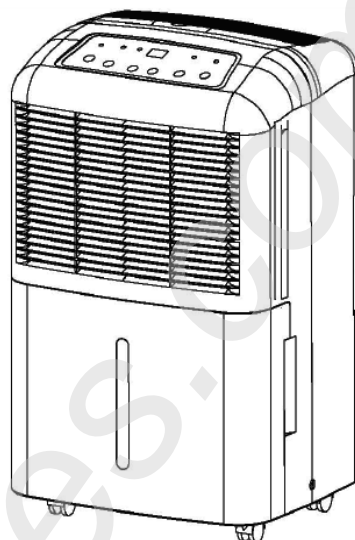
Owner's Use and Care Guide
Guide d'utiliser et de soins

Model • Modèle

DDR2509EE

DDR3009EE

DDR4009EE



CAUTION: Read and follow all safety rules and operating instructions before first use of this product.

MISE EN GARDE : Veuillez lire attentivement les consignes de sécurité et les directives d'utilisation avant l'utilisation initiale de ce produit.

PORTABLE DEHUMIDIFIER

| | |
|-------------------|--------|
| Table of contents |1 |
|-------------------|--------|

DÉSHUMIDIFICATEUR PORTATIF

| | |
|--------------------|----------|
| Table des matières | 12 |
|--------------------|----------|

KEEP THESE INSTRUCTIONS FOR FUTURE REFERENCE: If the Dehumidifier changes ownership, be sure this manual accompanies the unit.

CONSERVER CES INSTRUCTIONS POUR CONSULTATION ULTÉRIEURE: En cas de revente du déshumidificateur, ce manuel doit être inclus avec l'appareil.

TABLE OF CONTENTS

| | |
|---|-----------|
| WELCOME | 2 |
| WARNING- IMPORTANT NOTICES | 3 |
| <i>For your Safety</i> | 3 |
| <i>Grounding Instructions</i> | 3 |
| ELECTRICAL SPECIFICATIONS | 4 |
| <i>Unit Specifications</i> | 4 |
| INSTALLATION | 5 |
| <i>Features</i> | 5 |
| <i>Unit Parts Identified</i> | 5 |
| KEY PAD FUNCTIONS | 6 |
| OPERATING INSTRUCTIONS | 7 |
| <i>Indicator Light Functions</i> | 7 |
| <i>Water Tank Operation</i> | 7 |
| <i>Dehumidifier Mode Instructions</i> | 8 |
| <i>Air Filter</i> | 8 |
| DIRECT DRAIN INSTRUCTIONS | 9 |
| CARE AND MAINTENANCE | 10 |
| TROUBLESHOOTING | 10 |
| <i>Warranty</i> | 11 |

WELCOME

Thank you for choosing a Danby appliance to provide you and your family with all of the "Home Comfort" requirements of your home, cottage, or office. This Owner's Use and Care Guide will provide you with valuable information necessary for the proper care and maintenance of your new appliance. If properly maintained, your Danby appliance will give you many years of trouble free operation. Please take a few moments to read the instructions thoroughly and familiarize yourself with all of the operational aspects of this appliance.

This unit can be conveniently moved from room to room within your home and set up in just minutes.

For easy reference, may we suggest you attach a copy of your sales slip/receipt to this page, along with the following information, located on the rear wall of the water tank compartment.

Model Number: _____

Serial Number: _____

Date of Purchase: _____

This information will be necessary if your unit requires servicing and/or for general inquiries. To contact a Customer Service Representative, call Danby TOLL

FREE: 1-800-26- **Danby**[®]
(1-800-263-2629)

KEEP THESE INSTRUCTIONS FOR FUTURE REFERENCE.



CAUTION: Do not leave this unit unattended or operate in an area where people or animals may not be able to react quickly. A failed unit may cause over-heating, resulting in personal injury or property damage.

WARNING- IMPORTANT NOTICES

NOTE

The WARNING instructions issued in this manual are not meant to cover all possible conditions and situations that may occur. It must be understood that common sense, caution, and carefulness are factors that cannot be built into all appliances. These factors must be supplied by the person(s) installing, maintaining, or operating the appliance. Failure to install, maintain, and/or operate the equipment according to the manufacturer's instructions may result in conditions which can produce bodily injury and/or property damage. Contact your dealer, service agent, or the manufacturer about any problems or conditions you do not fully understand.

For Danby Customer Service call 1-800-26-**Danby**® / 1-800-263-2629

FOR YOUR SAFETY

To reduce the risk of fire or explosion, do not store or use gasoline or other flammable vapors or liquids in the vicinity of this or any other appliance.

ELECTRICAL SERVICE INFORMATION

To reduce the risk of fire, electric shock, or personal injury, all wiring and grounding must conform with the latest edition of Local and National Electrical codes.

It is the customer's responsibility to have the wiring and fuses checked by a qualified electrician to make sure adequate electrical power is available.

This appliance is designed to operate on a separate branch, polarized, three-wire, effectively grounded 120 Volt 60 Hertz (alternating current) circuit protected by a 15 ampere fuse, equivalent fuse or circuit breaker.

The three-prong grounding plug on the power cord should be plugged directly into a polarized, three slot, effectively grounded receptacle rated 110/120 V.A.C.

GROUNDING INSTRUCTIONS

Improper connection of the equipment-grounding conductor can result in a risk of electrical shock. Check with a qualified electrician or serviceman if you are in doubt as to whether your appliance outlets are properly grounded.

- This appliance must be grounded. In the event of malfunction or breakdown, grounding will reduce the risk of electrical shock by providing a path of least resistance for electrical current. This appliance is equipped with a cord having an equipment-grounding conductor and 3 prong grounding plug. The plug must be connected into an outlet that is properly installed and grounded in accordance with all local codes and ordinances.
- Do not modify the plug provided with this appliance. If it will not fit the outlet, have a proper outlet installed by a qualified electrician.
- If the household electrical supply does not meet the above specifications, or if you are not sure your home has an effective ground, have a qualified electrician or your local electrical utility company check it and correct any problems.

ELECTRICAL SPECIFICATIONS

- 1) All wiring must comply with local and national electrical codes and be installed by a qualified electrician. If you have any questions regarding the following instructions, contact a qualified electrician.
- 2) Check available power supply and resolve any wiring problems BEFORE installation and operation of this unit.
- 3) For your safety and protection, this unit is grounded through the power cord plug when plugged into a matching wall outlet. If you are not sure whether the wall outlets in your home are properly grounded, please consult a qualified electrician. **DO NOT USE PLUG ADAPTERS OR EXTENSION CORDS.**
- 4) The manufacturers nameplate is located on the rear wall of the water tank compartment. The nameplate contains electrical and other technical data specific to this unit.
- 5) To avoid the possibility of personal injury, always disconnect the power supply before attempting to clean and/or service the unit.

UNIT SPECIFICATIONS

| Model Number: | DDR2509EE | DDR3009EE | DDR4009EE |
|---|---|---|---|
| Dehumidifying Capacity (Pints / Liters) | 25 / 11.8 | 30 / 14.2 | 40 / 18.9 |
| Electrical Requirements | 115 Volts / 60 Hz | 115 volts / 60 Hz | 115 volts / 60 Hz |
| Power Input (Watts) | 380 | 420 | 525 |
| Rated Amperage (Dehumidifying) | 3.8 | 4.2 | 4.8 |
| Air Flow Circulation- High Fan Speed (Cubic Feet per Minute) | 180 | 180 | 180 |
| Type of Refrigerant | R22 | R22 | R22 |
| Water Tank Capacity (Pints / Liters) | 5 / 10.55 | 5 / 10.55 | 5 / 10.55 |
| Operating Noise Level (dB A) | 52 | 52 | 54 |
| Unit Dimensions (Width x Height x Depth) | 13 ⁶ / ₁₆ x 19 ¹⁵ / ₁₆ x 10 | 13 ⁶ / ₁₆ x 19 ¹⁵ / ₁₆ x 10 | 13 ⁶ / ₁₆ x 19 ¹⁵ / ₁₆ x 10 |
| Net Weight (kg / lbs) | 15 / 33.1 | 15 / 33.1 | 15 / 33.1 |

NOTE: Specifications are subject to change without notice, for further improvements.

INSTALLATION

LOCATION

Select a suitable location, making sure you have easy access to an electrical outlet (avoid the use of extension cords). If it is absolutely necessary to use an extension cord, use an approved "air conditioner" heavy duty extension cord ONLY (available at most local hardware stores).

Make sure there are no obstructions restricting airflow through the front air intake grill. Maintain a minimum clearance of at least 20 cm (8") between adjacent walls and the back of the unit, to allow for proper air circulation and maximum efficiency.

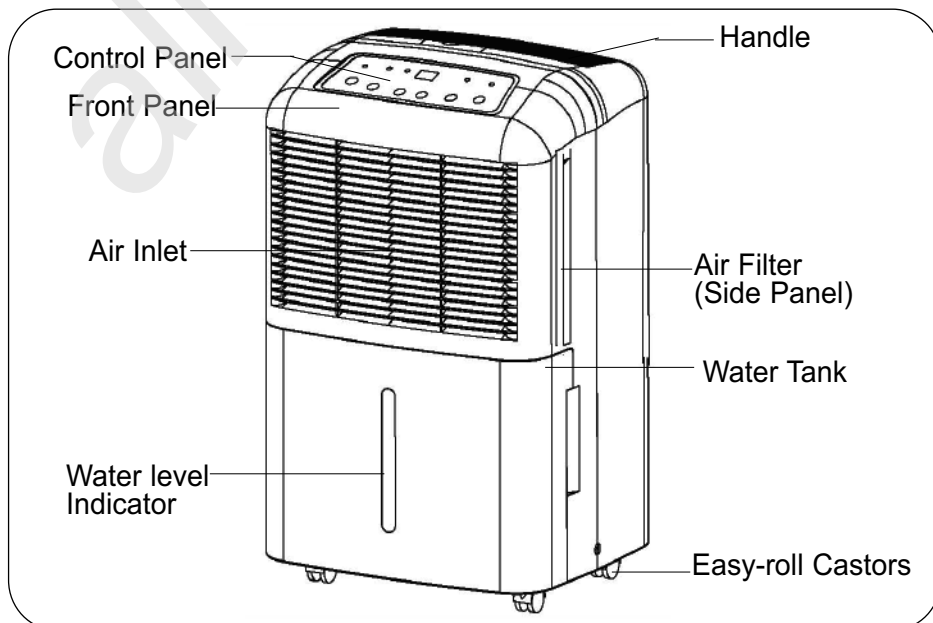
To obtain maximum operating efficiency from your dehumidifier, the recommended (room ambient) operating temperatures should be between 6°C (42.8°F)- 35°C (95°F).

It is important to remember the efficiency of a dehumidifier will be effected/influenced by the rate at which new humid air (moisture) is allowed to infiltrate the same space/area. To maintain efficiency, the dehumidifier must be operated in an enclosed area. Keep all doors and windows closed.

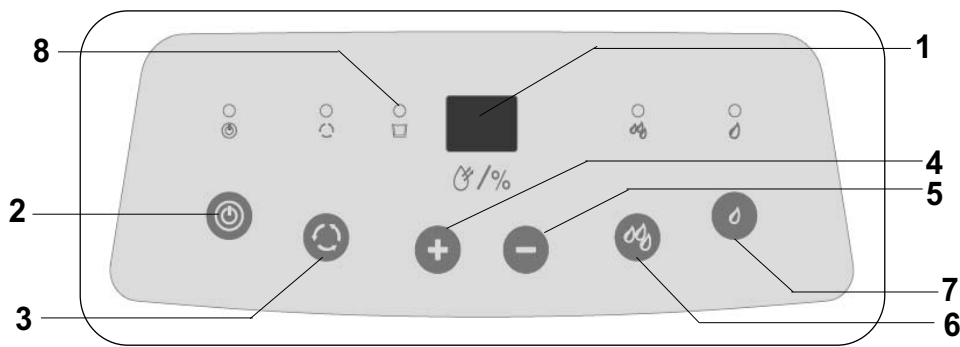
FEATURES

- Soft touch (Electronic) Control Key Pads
- Auto-Sensing Humidity Control
- Adjustable Humidity Settings (35% - 80%)
- 2 Fan Speed Settings (High / Low)
- Delay Start Protection (Compressor)
- Auto-Defrost (De-Icer)
- Full Bucket Indicator Light
- Easy Roll Castors (4)
- Front Mounted Water Tank (Removable)
- Direct Drain Option (Hose not Included)
- Quiet Operation
- Removable Air Filter

UNIT PARTS IDENTIFICATION



KEY PAD FUNCTIONS



1) LED Readout (ROOM HUMIDITY): The LED window displays the following information independently:

- A)** Internal (Room/Environment) Relative Humidity Conditions
- B)** Set Operating Relative Humidity Value.

NOTE: The LED readout is programmed to default to display the ambient relative humidity conditions.

To view the Set Operating Relative Humidity Value, press the "up" or "down" button (once) and the set RH operating value will flash for approximately 5 seconds in the LED window, then revert back to display the internal RH value.

2) ON/OFF Button: Each time this button is pressed the unit turns ON (adjacent indicator light illuminates) or Off (adjacent indicator light is not illuminated)

3) CONTINUOUS: Used for Continuous Dehumidifier Operation (unit will run non-stop). **NOTE:** Humidity values (settings) cannot be programmed in this mode. The adjacent (green) indicator light illuminates to signify the "continuous" mode is currently in operation.

4) HUMIDITY UP: This button allows you to increase the relative humidity setting. Each time this button is pressed, the RH value setting is increased incrementally by 5% (ranging from 35% - 80%)

5) HUMIDITY DOWN: This button allows you to decrease the relative humidity setting. Each time this button is pressed the RH value setting is decreased incrementally by 5% (ranging from 80% - 35%).

6) HIGH FAN: The adjacent (green) indicator light illuminates when HIGH FAN is selected.

7) LOW FAN: The adjacent (green) indicator light illuminates when LOW FAN is selected.

8) WATER FULL INDICATOR: This (red) light illuminates under the following conditions:

- A)** When the internal water tank is not properly installed inside the cabinet.
- B)** When the internal water tank is full. The water tank must be emptied and replaced back in the cabinet before normal operating conditions can resume.

OPERATING INSTRUCTIONS

INDICATOR LIGHT FUNCTION

Power Light (Green):

When the unit is first connected to an electrical outlet, the (green) power light starts to flash and continues to flash until the "on/off" button is pressed. When the "on/off" button is activated, the flashing (power) light turns to a steady state "on" condition. The dehumidifier will automatically default to the factory default setting (see Factory Default Setting below for details).

IMPORTANT NOTE: Depending on the humidity conditions of the surrounding environment, the dehumidifier may not start automatically when the "on/off" button is pressed (see dehumidifier operating instructions for details).

In the event of a power failure, the unit will not re-start automatically when power is restored. To re-start the unit you must press the "on/off" keypad again.

Water Full Indicator Light (Red):

When the water tank is full and/or incorrectly positioned inside the cabinet, the (water full) red light turns on and remains on until such time the tank is emptied and/or correctly re-positioned. This condition will result in the immediate shut down of the dehumidifying system (both compressor and fan motor operation are terminated). This is a safety feature. When the water tank is emptied and/or correctly re-positioned, the dehumidifier will resume operation automatically. **NOTE:** It may take several minutes before operating conditions resume.

Factory Default Setting: Each time the unit is disconnected/re-connected and/or in the event of a power failure, the electronic circuit board automatically defaults to the following factory setting:

Humidity Setting: 60%

Fan Speed: High

NOTE: In the event of a power failure, all previous settings are automatically erased/cancelled. If your program setting was different than above (default setting) it will be necessary to re-program your settings. When the unit is switched "off" manually (using the on/off keypad) the unit will always default to the last program setting that was used.

WATER TANK OPERATION

Proper installation of the water tank is crucial to maintaining reliable dehumidifier operation. The water tank holds accumulated condensed water and by means of a safety switch, controls both the water level and operation of the dehumidification process- i.e. When the water tank is full and/or accidentally displaced inside the cabinet, the float switch actuator (inside the tank) breaks contact with the safety switch. This condition results in the immediate shut down of the compressor and fan motor system, preventing moisture from being condensed.

IMPORTANT: Never tamper with or attempt to defeat the water level (safety) float switch system.

OPERATING INSTRUCTIONS (cont'd)

Dehumidifying is a means of removing moisture from the air. A dehumidifier will help to protect your home and valued possessions from damage (swelling) caused by moisture in the air. Essentially a dehumidifier removes moisture from air as moist air passes over a dehumidifying (evaporator) coil. Moisture is condensed on the evaporator coil, drained, and collected inside an internal (removable) water tank located at the front of the unit. The exhausted air being returned into the room environment is elevated several degrees causing the surrounding air temperature to increase (slightly). This process also contributes to lowering the relative humidity of the surrounding air.

DEHUMIDIFYING MODE INSTRUCTIONS

When the unit is first connected to the electrical outlet, the (green) power light starts to flash and continues to flash until the "on/off" button is pressed.

When the "on/off" button is activated (pressed), the flashing (power) light turns to a steady state "on" condition and the dehumidifier automatically defaults to:

Display: Current Ambient Room Humidity (RH%)
Humidity Setting: 60% RH
Fan Speed: High

IMPORTANT NOTE: Depending on humidity conditions of the surrounding environment, the dehumidifier may not start automatically under the default setting (this is an indication the humidity level of the surrounding environment is lower than the "default" setting of 60% RH). Therefore, it may be necessary to scroll through each of the different dehumidifier settings 35% - 80% until the "humidstat" (sensor) recognizes conditions that will allow the unit to operate.

DEHUMIDIFYING MODE SELECTION:

- 1) To turn the unit on press the ON/OFF button.
- 2) Press the humidity "UP" or "DOWN" button to select a desired RH operating value (35% - 80%)

OR

2a) Press the CONTINUOUS button. When CONTINUOUS mode is selected, the humidistat (sensor) will be by-passed and the compressor will operate non-stop regardless of humidity conditions.

FAN SPEED SELECTION:

- 3) Select a fan speed on the keypad. The speed you select is identified by the (illuminated) indicator light located directly above the selection made.

AIR FILTER

Your dehumidifier features a removable Air Filter, located at the front of the unit (behind the air intake grill) directly above the water tank compartment.

The air filter plays an important role in helping to reduce (minimize) dust/dirt particles from the surrounding environment. A blocked/clogged air filter reduces air intake, impacting negatively on operating efficiency.

To maintain maximum operating efficiency:

- The filter must be checked and cleaned regularly (**every 2 weeks**)
- More frequent cleaning may be required depending upon indoor air quality.

IMPORTANT: Never operate the unit without the air filter in place.

AIR FILTER REMOVAL:

- 1) Grasp the filter handle, and pull the filter out. The filter will slide out easily (see Fig. 2)
- 2) Clean the filter thoroughly using a vacuum cleaner or wash using lukewarm water and mild detergent. Dry thoroughly before re-installing.
- 3) To re-install the air filter, slide the filter back inside the tracks and push inward.

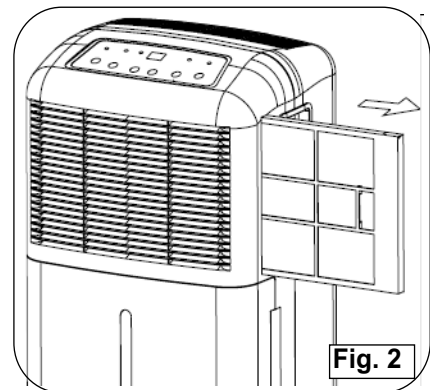


Fig. 2

DIRECT DRAIN INSTRUCTIONS

DIRECT DRAIN FEATURE

This dehumidifier is inclusive of a direct drain feature, located at the rear of the cabinet. **NOTE:** The drain hose is not included with the unit. The direct drain feature is intended for use in basements inclusive of a floor drain only.

NOTE: Do not attempt to operate the direct drain feature using drain/stem pipes above ground level.

CONNECTING THE DIRECT DRAIN:

1) Remove (cut away) drain cover located at the rear of the unit (see Fig. 3) and remove the water tank located at the front of the unit.

2) Cut drain hose to required length (to suit your needs). You do not need any fittings on either end of the drain hose. Insert one end of garden hose directly into drain opening (see Fig. 4).

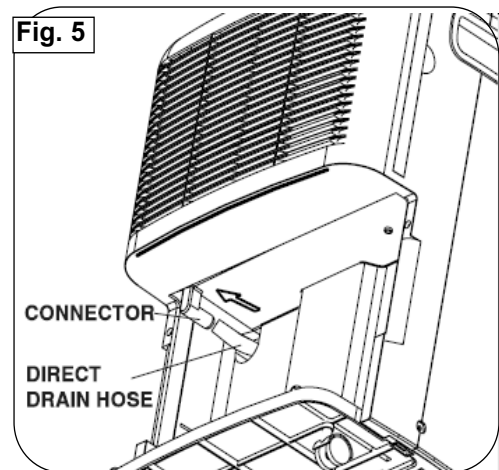
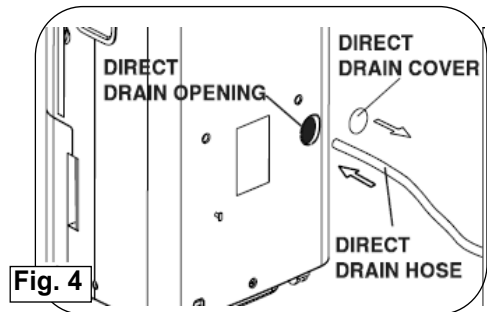
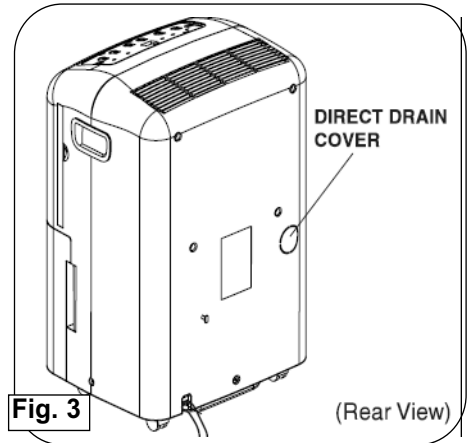
3) Push firmly onto the drain connector until it stops (see Fig. 5). **NOTE:** This connection requires a pressure fit application only. Make sure the hose is seated all the way back on the drain connection nipple.

4) Re-install the water tank, making sure the water full light turns "off". If the light remains on, the tank has not been properly installed. The water tank must always be installed inside the cabinet whenever the direct drain option is being used.

5) Position the dehumidifier as close as you can to the floor drain.

6) Position the open end of the drain hose directly over the floor drain and start the unit.

7) When the direct drain feature is not being used, remove the drain hose from the direct drain nipple and plug the Direct Drain opening (Fig. 3) with the rubber cap provided.



CARE AND MAINTENANCE

CLEANING



CAUTION: Before attempting to clean and/or service this unit, always disconnect the power supply cord from the electrical supply outlet.

- 1) DO NOT use gasoline, benzene, paint thinner, or any other chemicals to clean this unit, as these substances will damage/deform both plastic components and luster finish.
- 2) Never attempt to clean the unit by pouring water directly over any of the surface areas, as this will cause deterioration of electrical components and wiring insulation.
- 3) Use only a mild dish washing detergent, lukewarm water, and a soft cloth to wipe the exterior surface of the unit and dry thoroughly.

STORAGE

When the dehumidifier is not being used for long time periods, please follow these instructions:

- 1) Disconnect the power cord from the power supply.
- 2) Empty the water tank and wipe (clean) thoroughly.
- 3) Clean air filter thoroughly.
- 4) Re-package the unit in the original carton.
- 5) Store the unit upright in a dry location.

TROUBLESHOOTING GUIDE

Occasionally, you may encounter some problems that are of a minor nature and a service call may not be necessary. Use this troubleshooting guide to identify possible problems you may be experiencing. If the unit continues to operate improperly, call your local Danby Service Depot or

1-800-26-**Danby**® (1-800-263-2629)

| PROBLEM | POSSIBLE CAUSE |
|--|---|
| Unit will not operate | <ul style="list-style-type: none"> • Check power cord connection • Check electrical outlet for blown fuse • Check if water tank is full (if yes, empty) • Check water tank is properly installed |
| Dehumidifying capacity (moisture removal) low. | <ul style="list-style-type: none"> • Air filter is dirty and/or blocked • Ambient (room) temperature too low (below 5°C/ 41°F) • Poor air flow circulation/obstruction of front grill • Relative humidity in surrounding environment very low |
| Relative Humidity setting not reached after long period of operation | <ul style="list-style-type: none"> • Check all doors and windows are closed • Area/room is too large for the capacity of the dehumidifier |

Danby®

LIMITED DEHUMIDIFIER WARRANTY

This quality product is warranted to be free from manufacturer's defects in material and workmanship, provided that the unit is used under the normal operating conditions intended by the manufacturer.

This warranty is available only to the person to whom the unit was originally sold by Danby or by an authorized distributor of Danby, and is non-transferable.

TERMS OF WARRANTY

Plastic parts, are warranted for thirty (30) days only from purchase date, with no extensions provided.

First 12 Months During the first twelve (12) months, any electrical parts of this product found to be defective, including any sealed system units, will be repaired or replaced, at warrantor's option, at no charge to the ORIGINAL purchaser.

To obtain Service it will be the consumer's responsibility to transport the appliance (at their own expense) to the original retailer (point of purchase) or a service depot for repair. Contact your dealer from whom your unit was purchased, or contact your nearest authorized Danby service depot, where service must be performed by a qualified service technician.
If service is performed on the units by anyone other than an authorized service depot, or the unit is used for commercial application, all obligations of Danby under this warranty shall be at an end.

EXCLUSIONS

Save as herein provided, Danby Products Limited (Canada) or Danby Products Inc. (U.S.A.), there are no other warranties, conditions, representations or guarantees, express or implied, made or intended by Danby Products Limited or its authorized distributors and all other warranties, conditions, representations or guarantees, including any warranties, conditions, representations or guarantees under any Sale of Goods Act or like legislation or statute is hereby expressly excluded. Save as herein provided, Danby Products Limited (Canada) or Danby Products Inc. (U.S.A), shall not be responsible for any damages to persons or property, including the unit itself, howsoever caused or any consequential damages arising from the malfunction of the unit and by the purchase of the unit, the purchaser does hereby agree to indemnify and save harmless Danby Products Limited from any claim for damages to persons or property caused by the unit.

GENERAL PROVISIONS

No warranty or insurance herein contained or set out shall apply when damage or repair is caused by any of the following:

- 1) Power Failure.
- 2) Damage in transit or when moving the appliance.
- 3) Improper power supply such as low voltage, defective house wiring or inadequate fuses.
- 4) Accident, alteration, abuse or misuse of the appliance such as inadequate air circulation in the room or abnormal operating conditions, (extremely high or low room temperature).
- 5) Use for commercial or industrial purposes.
- 6) Fire, water damage, theft, war, riot, hostility, acts of God such as hurricanes, floods etc.
- 7) Service calls resulting in customer education.

Proof of purchase date will be required for warranty claims; so, please retain bills of sale. In the event warranty service is required, present this document to our AUTHORIZED SERVICE DEPOT.

Warranty Service

Carry-In

Danby Products Limited
PO Box 1778, 5070 Whitelaw RD, Guelph, Ontario, Canada N1H 6Z9
Telephone: (519) 837-0920 FAX: (519) 837-0449

Danby Products Inc.
PO Box 669, 101 Bentley Court, Findlay, Ohio, U.S.A. 45840
Telephone: (419) 425-8627 FAX: (419) 425-8629

TABLE DES MATIÈRES

| | | |
|--|-------|-----------|
| BIENVENUE | | 13 |
| AVERTISSEMENT- AVIS IMPORTANTS | | 14 |
| <i>Pour la Sécurité des utilisateurs</i> | | 14 |
| <i>Instructions de mise à la terre</i> | | 14 |
| SPÉCIFICATIONS ÉLECTRIQUES | | 15 |
| <i>Spécifications de l'unité</i> | | 15 |
| INSTALLATION | | 16 |
| <i>Caracteristiques</i> | | 16 |
| <i>Composants de l'appareil</i> | | 16 |
| FUNCTIONS DE TOUCHES du Tableau de Commande | ... | 17 |
| OPÉRATION | | 18 |
| <i> Fonctions des témoins lumineux</i> | | 18 |
| <i>Réceptacle à eau</i> | | 18 |
| <i>Déshumidification</i> | | 19 |
| <i>Filtre à Air</i> | | 19 |
| INSTRUCTIONS POUR DRAINAGE DIRECT | | 20 |
| SOINS ET ENTRETIEN | | 21 |
| DÉPANNAGE | | 21 |
| <i>Garantie</i> | | 22 |

BIENVENUE

Merci d'avoir choisi un appareil Danby qui vous fournira ainsi qu'à votre famille, le confort au foyer, à la maison, au chalet ou au bureau. Ce manuel d'utilisation vous offre des renseignements pratiques pour le soin et l'entretien de votre nouvel appareil. Un appareil Danby bien entretenu vous fournira plusieurs années de service sans ennui.

Veuillez prendre quelques moments pour lire attentivement toutes les directives pour vous renseigner et vous familiariser avec tous les aspects du fonctionnement de votre appareil.

Cet appareil peut être aisément déplacé d'une pièce à l'autre de la maison et il est installé en quelques minutes seulement.

Pour la référence aisée, nous vous suggérons de joindre une copie de votre reçu de caisse et/ou facture d'achat à cette page, et d'inscrire les renseignements suivants qui sont trouvés sur la plaque d'identification du fabricant. Celle-ci est située sur le panneau arrière de l'appareil.

Numéro de modèle: _____

Numéro de série : _____

Date d'achat : _____

Ces renseignements seront requis si le service est demandé et/ou si vous désirez obtenir des renseignements supplémentaires. Pour consulter un Représentant du service à la clientèle, composez le NUMÉRO D'APPEL SANS FRAIS suivant:

1-800-26-**Danby**[®]
(1-800-263-2629)



MISE EN GARDE: Ne laissez pas cette unité sans surveillance ou ne fonctionnez pas dans un espace où les gens et animaux ne peuvent pas réagir rapidement. Un appareil défaillant peut susciter une surchauffe extrême résultant à un accident avec blessures personnelles et les dommages de propriété.

AVERTISSEMENT- AVIS IMPORTANTS

REMARQUE

Les instructions de sécurité présentées dans ce manuel ne peuvent couvrir toutes les situations qui pourraient survenir. Chacun doit comprendre qui l'utilisation adéquate de l'appareil lui-même et qui relèvent uniquement du comportement de la personne qui installe l'appareil ou l'utilise, ou qui exécute les opérations d'entretien. Le non-respect des instructions d'installation, d'utilisation ou d'entretien de l'appareil fournies par le fabricant peut susciter une situation pouvant conduire à des dommages matériels et/ou corporels. L'utilisateur devrait contacter le revendeur ou un agent de service après-vent du fabricant au sujet de tout problème ou situation qui n'est pas parfaitement compris. Pour contacter le centre de service-client 1-800-26-DANBY (1-800-263-2629).

POUR LA SÉCURITÉ DES UTILISATEURS

Pour minimiser tout risque d'incendie ou d'explosion, ne jamais remiser d'essence ou autre produit liquide ou gazeux inflammable au voisinage de cet appareil ou de tout autre appareil ménager.

CIRCUIT ÉLECTRIQUE

Pour réduire le risque d'incendie, choc électrique ou dommages corporels, il convient que tout câblage électrique et circuit de liaison à la terre soit conforme aux prescriptions de l'édition la plus récente des codes local et national réglissant les installations électriques.

C'est à l'acquéreur qu'incombe la responsabilité de consulter éventuellement un électricien qualifié qui pourra inspecter le câblage et les fusibles de la résidence et déterminer si la source d'électricité disponible est adéquate pour l'alimentation de l'appareil.

Cet appareil est conçu pour être alimenté par un circuit 120 volts CA, 60 Hz (circuit indépendant à 3 conducteurs, alimentant une prise de courant convenablement polarisée et reliée à la terre) protégée par un fusible de 15 ampères (ou disjoncteur ou fusible temporisé équivalent).

La fiche de branchement à trois broches du cordon d'alimentation doit être branchée directement sur une prise de courant polarisée de même configuration et reliée à la terre, conçu pour les circuits 110/120 V CA.

INSTRUCTIONS DE MISE À LA TERRE

Le raccordement incorrect à la terre de cet appareil peut susciter un risque de choc électrique. En cas de doute quant à la qualité de la mise à la terre de la prise de courant disponible, consulter un électricien qualifié.

Cet appareil doit être relié à la terre. Advenant une anomalie de fonctionnement ou une panne, la mise à la terre réduira le risque de choc électrique, parce qu'un itinéraire de moindre résistance sera disponible pour le passage du courant électrique. Cet appareil est équipé d'un cordon d'alimentation comportant un conducteur de mise à la terre et une fiche de branchement à trois broches (pour liaison à la terre). La fiche de branchement doit être branchée sur une prise de courant convenablement installée et reliée à la terre conformément aux prescriptions des codes et règlements locaux en vigueur.

Ne jamais modifier la fiche de branchement de l'appareil. Si la configuration de la fiche de branchement ne permet pas son branchement sur la prise de courant, il sera nécessaire de faire installer une prise de courant adéquate par un électricien qualifié. Si les caractéristiques de la source d'alimentation électrique de la résidence ne correspondent pas aux spécifications ci-dessus, ou en cas d'incertitude quant à la qualité de la mise à la terre, demander à un électricien qualifié ou à la compagnie de distribution d'électricité d'inspecter l'installation électrique et d'effectuer tout travail correctif nécessaire.

SPÉCIFICATIONS ÉLECTRIQUE

- 1) Tout câblage doit être réalisé par un électricien qualifié, en conformité avec les prescriptions des codes national et local réglissant les installations électriques. Pour toute question au sujet des instructions qui suivent, contacter un électricien qualifié.
- 2) AVANT l'installation et AVANT l'utilisation de cet appareil, contrôler les caractéristiques de la source d'électricité, et résoudre tout problème affectant le câblage.
- 3) Pour la sécurité et la protection des utilisateurs, cet appareil est relié à la terre lorsqu'il est branché sur une prise de courant de même configuration que la fiche de branchement. En case de doute quant à la qualité de la mise à la terre de la prise de courant, consulter un électricien qualifié. **NE JAMAIS UTILISER UN CÂBLE DE RALLONGE NI UN ADAPTATEUR SI LA CONFIGURATION DE LA FICHE DE BRANCHEMENT NE CORRESPOND PAS À CELLE DE LA PRISE DE COURANT.**
- 4) La plaque signalétique de l'appareil est située sur la paroi arrière du compartiment du réceptacle à eau; on y trouve les caractéristiques électriques et techniques spécifiques de cet appareil.
- 5) Pour éviter les risques de dommage corporel, on doit toujours débrancher l'appareil de la source d'électricité avant d'entreprendre des travaux de nettoyage ou d'entretien.

SPÉCIFICATIONS DE L'UNITÉ

| Numéro de modele | DDR2509EE | DDR3009EE | DDR4009EE |
|---|---|---|---|
| Capacité de déshumidification (pintes/litres) | 25 / 11.8 | 30 / 14.2 | 40 / 18.9 |
| Source d'alimentation | 115 Volts / 60 Hz | 115 volts / 60 Hz | 115 volts / 60 Hz |
| Consommation d'énergie (watts) | 380 | 420 | 525 |
| Demande de courant nominale | 3.8 | 4.2 | 4.8 |
| Circulation d'air- Vitesse de ventilateur haut (pieds cubes par minute) | 180 | 180 | 180 |
| Type de Réfrigérant | R22 | R22 | R22 |
| Capacité de réservoir d'eau (pintes/litres) | 5 / 10.55 | 5 / 10.55 | 5 / 10.55 |
| Niveau de bruit en fonctionnement (dB A) | 52 | 52 | 54 |
| Dimensions (lgr) x (pfd) x (htr) | 13 ⁶ / ₁₆ x 19 ¹⁵ / ₁₆ x 10 | 13 ⁶ / ₁₆ x 19 ¹⁵ / ₁₆ x 10 | 13 ⁶ / ₁₆ x 19 ¹⁵ / ₁₆ x 10 |
| Poids de l'unité (kg / lbs) | 15 / 33.1 | 15 / 33.1 | 15 / 33.1 |

REMARQUE: La recherche ensuit toujours des améliorations. Par conséquent, ces informations et spécifications peuvent changer sans préavis.

INSTALLATION

CHOIX DE L'EMPLACEMENT

Choisir un emplacement approprié, avec accès facile à une prise de courant (éviter l'emploi d'une rallonge). S'il est absolument nécessaire d'utiliser une rallonge pour l'alimentation de l'appareil, utiliser uniquement une rallonge agréée pour climatiseur (disponible dans la plupart des magasins de quincaillerie).

Choisir un emplacement où rien n'entravera la circulation de l'air à travers la grille d'admission avant. Maintenir une distance de séparation d'au moins 20 cm (8po) entre les murs adjacents et l'arrière de l'appareil, pour optimiser l'efficacité et la circulation de l'air.

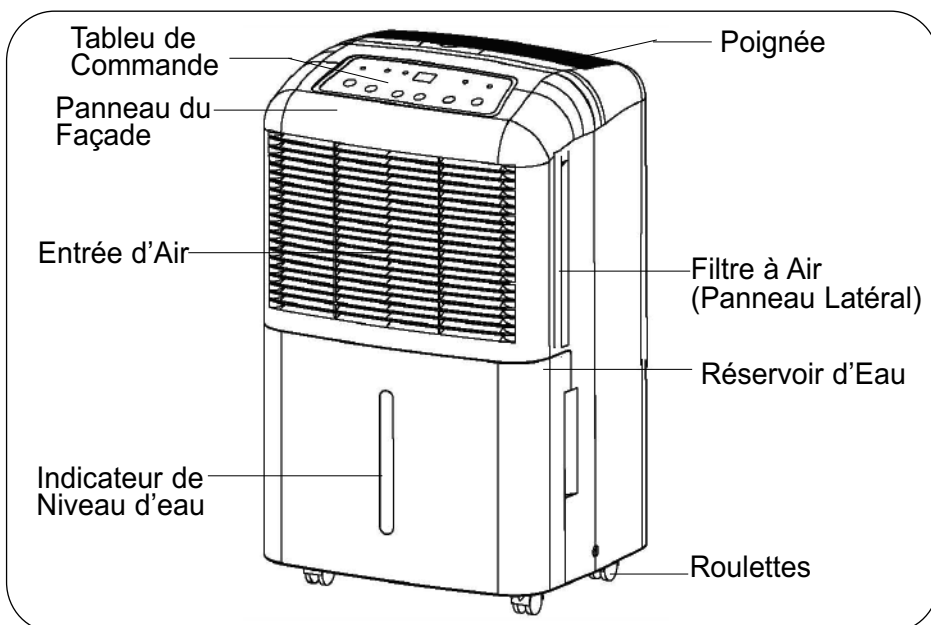
L'appareil fonctionne au niveau d'efficacité maximum lorsque la température ambiante de la pièce est située entre 6°C et 35°C.

Il est important de noter que l'efficacité d'un déshumidificateur sera influencée par la taux de réintroduction d'air humide dans la pièce. Pour obtenir la meilleure efficacité, il convient de faire fonctionner le déshumidificateur dans un espace fermé. Fermer toutes les portes et fenêtres.

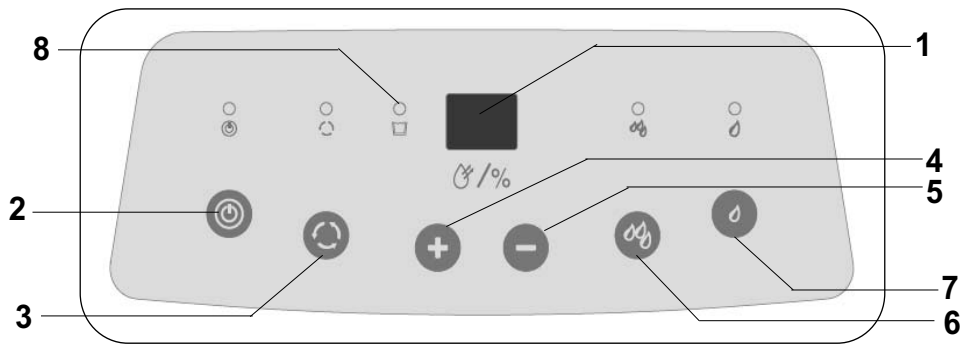
CARACTÉRISTIQUES

- Clavier de commande tactile (électronique)
- Auto-détection de l'hygrométrie ambiante
- Réglage selon l'hygrométrie ambiante (35% - 80%)
- Ventilateur à 2 vitesses (Haut/Bas)
- Mise en marche temporisée- protection (compresseur)
- Auto-Dégivrage
- Témoin « réceptacle plein »
- Roulettes pour déplacement facile (4)
- Réservoir d'eau situé sur l'avant (amovible)
- Option de drainage direct (tuyau pas inclus)
- Fonctionnement silencieux
- Filtre à air amovible

COMPOSANTS DE L'APPAREIL



FONCTIONS DES TOUCHES DU TABLEAU DE COMMANDE



1) Affichage LED (l'humidité de la chambre): La fenêtre LED affiche indépendamment l'information suivant:

A) Les conditions internes (environnement de chambre) de l'humidité relative.

B) Les conditions de la valeur de l'humidité relative programmée

NOTE: L'affichage LED est programmé d'affiche par défaut les conditions internes.

Pour regarder les conditions de la valeur de l'humidité relative programmée. Appuyez sur la touche « up » ou « down » (une fois) et le condition de la valeur de l'humidité relative programmer va clignoter pour approximativement 5 secondes dans la fenêtre LED, ensuite retourner à l'affichage des valeurs internes (environnement de chambre) de l'humidité relative.

2) Touche ON/OFF: Chaque fois que cette commande est appuyez l'appareil ce mise en marche ou s'éteint.

3) Touche Continuous: Utilise pour l'opération continuellement du déshumidificateur (l'unité fonctionne sans arrêt).

NOTE: La valeur d'humidité (réglage) ne peut pas être programmer dans cet mode.

4) Augmentation de l'humidité: Cette touche vous permet d'augmenter le réglage de l'humidité relative. Chaque fois que cette touche est appuyez, l'humidité relative est progressivement augmentée par 5% (varie de 35% - 80%)

5) Diminution de l'humidité: Cette touche vous permet de diminuer le réglage de l'humidité relative. Chaque fois que cette touche est appuyez, l'humidité relative est progressivement diminuée par 5% (varie de 80% - 35%)

6) Ventilateur Haut: Le lumineux (vert) éclaire durant quand Ventilateur Haut est utiliser

7) Ventilateur Bas: Le lumineux (vert) éclaire durant quand Ventilateur Haut est utiliser.

8) Indicateur 'Bac à eau plein': Ce témoin lumineux s'illuminera quand l'une ou l'autre des conditions suivantes existe:

A) Quand le réservoir d'eau interne n'est pas correctement installé à l'intérieur du cabinet.

B) Quand le réservoir d'eau interne est plein. Le réservoir d'eau doit être vidé et remplacé dans le cabinet avant que le fonctionnement normal puisse résumer.

OPÉRATION

FUNCTION DES TÉMOINS LUMINEUX

Témoin Lumineux (vert):

Quand l'unité est premièrement raccorde à une prise de courant, le témoin lumineux (vert) commence clignoter et continue clignoter jusqu'à ce que la touche ON/OFF est appuyez. Quand la touche ON/OFF est activée, le clignotement (témoin) lumineux tourne en état solide. Le déshumidificateur va automatiquement retourner au réglage défaut de l'usine (voir réglage de défaut pour détails).

NOTE IMPORTANTE: Selon les conditions de l'humidité des alentours environnementales, il y a la possibilité que l'appareil ne commencera pas automatiquement quand la touche ON/OFF est appuyez (voir les instructions d'opération pour les détails). En cas de panne d'électricité, l'appareil ne va pas recommencer automatiquement quand l'électricité est restituée. Pour recommencer l'appareil, vous devrez appuyer la touche ON/OFF encore une fois.

Témoin Rouge « Réceptacle à eau plein »:

Lorsque le réceptacle à eau est plein, ou s'il n'est pas correctement placé à l'intérieur de l'appareil, le témoin rouge s'illumine; il reste illuminé jusqu'à ce que le réceptacle à eau ait été vidé et/ou correctement replacé. Ceci suscite l'arrêt immédiat du déshumidificateur (l'alimentation du compresseur et du moteur du ventilateur est interrompue). Il s'agit d'un dispositif de sécurité. Après qu'on a vidé le réceptacle à eau et qu'on l'a correctement repositionné, le déshumidificateur reprend automatiquement son fonctionnement. **NOTE:** Il peut être nécessaire d'attendre plusieurs minutes avant la remise en marche du déshumidificateur.

Configuration de réglage de l'usine:

Chaque fois qu'on branche l'appareil après l'avoir débranché, ou après une interruption de l'alimentation, le circuit de commande électronique adopte automatiquement par défaut la configuration de réglage définie à l'usine.

Réglage delon l'hygrométrie ambiante: 60%

Vitesse ventilateur: Haute

NOTE: À l'occasion d'une interruption de l'alimentation électrique, tous les réglages antérieurs sont automatiquement effacés/annulés. Si la configuration de réglage était différente de la configuration utilisée par défaut (décrite ci-dessus), il sera nécessaire de reprogrammer l'appareil. Si l'arrêt de l'appareil a été commandé manuellement à l'aide de la touche ON/OFF du clavier, lors de la remise en marche ultérieure l'appareil adopte automatiquement la configuration définie par le dernier programme utilisé.

RÉCEPTACLE À EAU

Il est essentiel que le réceptacle à eau soit correctement installé dans l'appareil pour que le déshumidificateur fonctionne correctement. L'eau condensée générée par la processus de déshumidification s'accumule dans le réceptacle à eau; un contacteur de sécurité empêche le fonctionnement de l'appareil lorsque le réceptacle à eau est plein, ou si le réceptacle à eau a été accidentellement déplacé à l'intérieur de son logement (action de flotteur dans le réceptacle à eau). L'interruption de l'alimentation lors de l'ouverture du contacteur de sécurité provoque immédiatement l'arrêt du compresseur et du moteur du ventilateur, et par conséquent l'interruption du processus de déshumidification.

IMPORTANT: On ne doit jamais circonvenir l'action du contacteur de sécurité associé au flotteur dans le réceptacle à eau.

OPÉRATION (suite)

La fonction du déshumidificateur est d'extraire l'humidité de l'air. L'emploi d'un déshumidificateur protégera la résidence et les articles qu'elle contient contre les dommages que pourrait leur faire subir une hygrométrie excessive de l'air. L'emploi d'un déshumidificateur protégera la résidence et les articles qu'elle contient contre les dommages que pourrait leur faire subir une hygrométrie excessive de l'air. Le déshumidificateur extrait l'humidité se condense sur le radiateur du refroidissement et l'eau condensée est ensuite dans la pièce a augmenté de quelques degrés (après un réchauffage), ce qui contribue également à l'abaissement de l'hygrométrie relative dans l'atmosphère de la pièce.

MODE DE DÉSHUMIDIFICATION

Lors du branchement initial de l'appareil sur la prise de courant, le témoin d'alimentation vert clignote; il continue à clignoter jusqu'à ce qu'on appuie sur le bouton de mise en marche ON/OFF; lors de la pression sur le bouton, le témoin vert cesse de clignoter et il reste illuminé en permanence; l'appareil adopte automatiquement la configuration de fonctionnement suivante:

Réglage selon l'hygrométrie ambiante: hygrométrie relative de 60%
Vitesse ventilateur: Haut

NOTE IMPORTANTE: Selon le taux d'hygrométrie de l'environnement, l'appareil peut ne pas se mettre en marche automatiquement avec la configuration de réglage adoptée par défaut (ceci indique que le taux d'hygrométrie de l'environnement est inférieur à 60%). Par conséquent il sera alors nécessaire de sélectionner successivement chacun des réglages d'hygrométrie jusqu'à ce que l'humidistat identifie un taux d'hygrométrie qui permet le fonctionnement de l'appareil.

SÉLECTION DU MODE DE DÉSHUMIDIFICATION:

- 1) Appuyer sur le bouton ON/OFF pour commander la mise en marche de l'appareil.
- 2) Appuyez la touche d'humidité UP ou DOWN pour sélectionner la valeur de l'humidité relative désirez (35% - 80%)

OU

2a) Appuyez sur la touche Continu. Quand la mode continu est sélectionnée le compresseur fonctionne sans arrêt indépendamment des conditions d'humidité.

VENTILATEUR:

- 3) Choisissez une vitesse du ventilateur. La mode vitesse sélectionnée est identifiée par (l'éclairage) l'indicateur lumineux situé au-dessus de la sélection faite.

FILTRE À AIR

Le déshumidificateur comporte un filtre à air amovible, situé à l'avant de l'appareil (derrière Entrée d'air) directement au-dessus du compartiment du réceptacle à eau.

La fonction du filtre à air est de minimiser la concentration de particules de poussière dans l'atmosphère environnante. Un filtre à air obstrué réduit le débit de circulation d'air, ce qui dégrade l'efficacité de fonctionnement de l'appareil. On doit inspecter et nettoyer le filtre à intervalles réguliers (intervalle de deux semaines) pour que l'appareil puisse toujours fonctionner au niveau d'efficacité maximum. Il peut être nécessaire d'augmenter la fréquence des nettoyages, selon la qualité de l'air à traiter.

IMPORTANT: Ne jamais faire fonctionner l'appareil lorsque le filtre à air n'est pas en place.

DÉPOSE DU FILTRE À AIR:

- 1) Saisir la poignée du filtre, le filtre glissera facilement (Fig. 2)
- 2) Nettoyer parfaitement le filtre à air avec un aspirateur. On peut également le laver avec de l'eau tiède et un détergent doux. Faire sécher parfaitement le filtre avant de le réinstaller.
- 3) Pour réinstaller le filtre à air, réinsérer le filtre dans les glissières et pousser jusqu'à la position d'emboîtement.

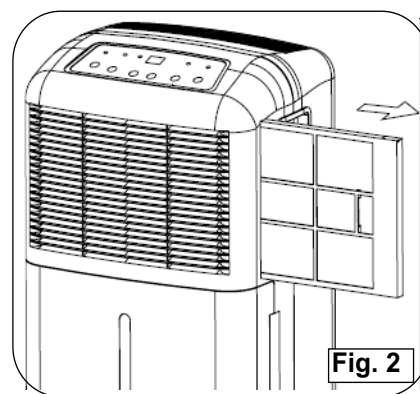


Fig. 2

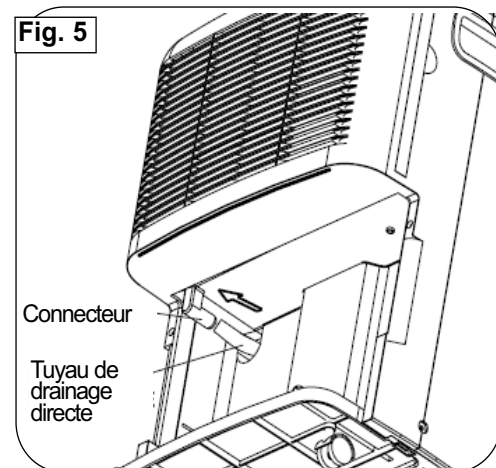
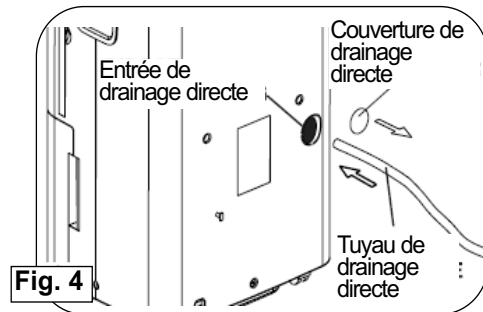
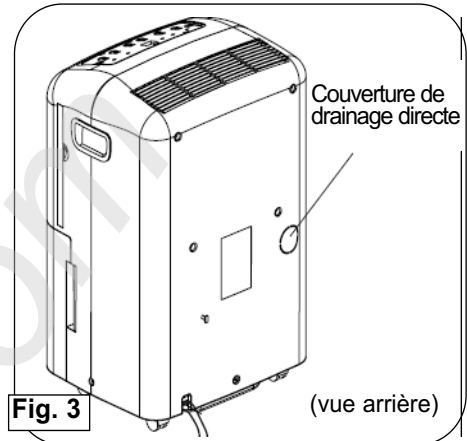
INSTRUCTIONS POUR DRAINAGE DIRECT

DRAINAGE DIRECT

Ce déshumidificateur comporte une sortie de drainage direct, à l'arrière de la caisse. **NOTE:** Le tuyau de drainage n'est pas fourni avec l'appareil. Cette fonction permet l'emploi de l'appareil dans un sous-sol comportant un siphon de plancher.

NOTE: Ne pas tenter de raccorder la sortie de drainage direct à une tuyauterie d'évacuation située au-dessus du niveau du sol.

- 1) Ôter (couper) le bouchon plastique sur le orifice de drainage direct (Fig. 3) et le réceptacle à eau situé à l'avant de l'appareil.
- 2) Tailler le tuyau de drainage à la longueur nécessaire. Il n'est pas nécessaire qu'il y ait un raccord à une extrémité du tuyau de drainage ou à l'autre. Insérer une extrémité de la section de tuyau directement dans l'ouverture de drainage direct (Fig. 4).
- 3) Enfoncer fermement sur le raccord, jusqu'à la position de butée (Fig. 5). **NOTE:** la friction assure la rétention du tuyau au niveau de cette connexion; veiller à ce que le tuyau soit complètement enfoncé sur le raccord de drainage.
- 4) Réinstaller le réceptacle à eau; vérifier que le témoin réceptacle à eau plein s'éteint. Si le témoin reste illuminé, c'est parce que le réceptacle à eau n'a pas été correctement installé. Même lorsque la fonction de drainage direct est utilisée, le réceptacle à eau doit être correctement installé dans la caisse de l'appareil.
- 5) Placer l'autre extrémité du tuyau de drainage directement au-dessus d'un siphon de plancher; et mettre l'appareil en marche.
- 6) Placer le déshumidificateur aussi près que possible du siphon de plancher.
- 7) Quand l'option du drainage direct n'est pas utilisée, enlever le tuyau de drainage et fermer le orifice de drainage direct avec le bouchon inclus.



SOINS ET ENTRETIEN

NETTOYAGE



MISE EN GARDE: On doit toujours débrancher le cordon d'alimentation de la prise de courant électrique avant d'entreprendre une opération de nettoyage ou d'entretien de l'appareil

- 1) NE JAMAIS utiliser d'essence, benzène, de peinture, diluant ou autre composé chimique pour nettoyer cet appareil; toutes ces substances feront subir des dommages ou déformations aux composants de plastique et dégraderont la finition.
- 2) Ne jamais verser de l'eau directement sur l'appareil; ceci pourrait faire subir des dommages aux composants électriques et à l'isolant des conducteurs électriques.
- 3) Utiliser uniquement de l'eau tiède, un détergent pour lave-vaisselle et un chiffon doux pour essuyer complètement les surfaces externes de l'appareil.

REMISAGE

Si le déshumidificateur doit rester inutilisé et être remisé durant une période prolongée, procéder comme suit:

- 1) Débrancher le cordon d'alimentation de la prise de courant.
- 2) Vider le réceptacle à eau; essuyer parfaitement les surfaces.
- 3) Nettoyer parfaitement le filtre à air.
- 4) Remettre l'appareil dans son emballage d'origine.
- 5) Remiser l'appareil verticalement, en un lieu sec.

DÉPANNAGE

Quelques problèmes mineurs peuvent occasionnellement survenir, que l'utilisation pourra résoudre. Utiliser le guide de diagnostic ci-dessous pour identifier les éventuels problèmes qui se manifesteraient. Si l'appareil persiste à ne pas fonctionner correctement, obtenir l'aide du centre de service Danby local, ou téléphoner au 1-800-26-**Danby**[®] (1-800-263-2629)

| PROBLEME | CAUSE POSSIBLE |
|--|---|
| L'appareil ne fonctionne pas | <ul style="list-style-type: none"> • Contrôler le branchement du cordon d'alimentation. • Contrôler l'alimentation de la prise de courante (fusible grillé?) • Déterminer si le réceptacle à eau est plein (vider) • Vérifier que le réceptacle à eau est correctement installé dans l'appareil |
| Capacité de déshumidification insuffisante | <ul style="list-style-type: none"> • Filtre à air encrassé/obstrué • Température ambiante trop basse (inférieur à 5°C) • Médiocre circulation d'air/obstruction de la grille avant • Taux d'hygrométrie ambient très bas. |
| Niveau d'hygrometrie choisi pas atteint après une longue période de fonctionnement | <ul style="list-style-type: none"> • Vérifier que toutes les portes et fenêtres sont fermées • Le volume de la pièce est trop important compte tenu de la capacité de l'appareil |

Danby®

GARANTIE LIMITÉE DE DÉSHUMIDIFICATEUR

Cet appareil de qualité est garanti exempt de tout vice de matière première et de fabrication, s'il est utilisé dans les conditions normales recommandées par le fabricant.

Cette garantie n'est offerte qu'à l'acheteur initial de l'appareil vendu par Danby ou par l'un des ses distributeurs agréés et elle ne peut être transférée.

CONDITIONS

Les pièces en plastique sont garanties pour trente (30) jours seulement à partir de la date de l'achat, sans aucune prolongation prévue.

Première 12 mois Pendant les première douze (12) mois, toutes pièces électriques de ce produit s'avèrent défectueuses, y compris les unités ayant des systèmes obturés, seront réparées ou remplacées, selon le choix du garant, sans frais à l'acheteur INITIAL.

Pour bénéficier du service sous garantie Le client sera responsable pour le transport et tous les frais d'expédition de tout appareil exigeant le service au dépôt de service autorisé le plus proche. S'adresser au détaillant qui a vendu l'appareil, ou à la station technique agréée de service la plus proche, où les réparations doivent être effectuées par un technicien qualifié. Si les réparations sont effectuées par quiconque autre que la station de service agréée où à des fins commerciales, toutes les obligations de Danby en vertu de cette garantie seront nulles et non avenues.

EXCLUSIONS

En vertu de la présente, il n'existe aucune autre garantie, condition ou représentation, qu'elle soit exprimée ou tacite, de façon manifeste ou intentionnelle, par Danby Products Limitée (Canada) ou Danby Products Inc. (E.- U. d'A.) ou ses distributeurs agréés. De même, sont exclues toutes les autres garanties, conditions ou représentations, y compris les garanties, conditions ou représentations en vertu de toute loi régissant la vente de produits ou de toute autre législation ou règlement semblables.

En vertu de la présente, Danby Products Limitée (Canada) ou Danby Products Inc. (E.- U. d'A.) ne peut être tenue responsable en cas de blessures corporelles ou des dégâts matériels, y compris à l'appareil, quelle qu'en soit les causes. Danby ne peut pas être tenue responsable des dommages indirects dus au fonctionnement défectueux de l'appareil. En achetant l'appareil, l'acheteur accepte de mettre à couvert et de dégager Danby Products Limitée de toute responsabilité en cas de réclamation pour toute blessure corporelle ou tout dégât matériel causé par cet appareil.

CONDITIONS GÉNÉRALES

La garantie ou assurance ci-dessus ne s'applique pas si les dégâts ou réparations sont dus aux cas suivants:

- 1) Panne de courant;
- 2) Dommages subis pendant le transport ou le déplacement de l'appareil;
- 3) Alimentation électrique incorrecte (tension faible, câblage défectueux, fusibles incorrects);
- 4) Accident, modification, emploi abusif ou incorrect de l'appareil;
- 5) Utilisation dans un but commercial ou industriel;
- 6) Incendie, dommages causés par l'eau, vol, guerre, émeute, hostilités, cas de force majeure (ouragan, inondation, etc.);
- 7) Visites d'un technicien pour expliquer le fonctionnement de l'appareil au propriétaire.

Une preuve d'achat doit être présentée pour toute demande de réparation sous garantie. Prière de garder le reçu. Pour faire honorer la garantie, présenter ce document à la station technique agréée ou s'adresser à:

Service sous-garantie

En Atelier.

Danby Products Limited
PO Box 1778, 5070 Whitelaw RD, Guelph, Ontario, Canada N1H 6Z9
Telephone: (519) 837-0920 FAX: (519) 837-0449

Danby Products Inc.
PO Box 669, 101 Bentley Court, Findlay, Ohio, U.S.A. 45840
Telephone: (419) 425-8627 FAX: (419) 425-8629

Danby®

Model • Modèle

DDR2599EE

For service, contact your nearest service depot or call:

1-800-26- **Danby**[®]
(1-800-263-2629)

to recommend a depot in your area.

Pour obtenir le service, consultez votre centre de service le plus rapproché ou composez le:

1-800-26- **Danby**[®]
(1-800-263-2629)

vous recommandera un centre régional.

PORTABLE DEHUMIDIFIER

The model number can be found on the serial plate located on the back panel of the unit.

All repair parts available for purchase or special order when you visit your nearest service depot. To request service and/or the location of the service depot nearest you, call the TOLL FREE NUMBER.

When requesting service or ordering parts, always provide the following information:

- Product Type
- Model Number
- Part Number
- Part Description

DÉSHUMIDIFICATEUR PORTATIF

Le numéro de modèle se trouve sur la plaque d'information sur le panneau arrière de l'appareil.

Toutes les pièces de rechange ou commandes spéciales sont disponibles à votre centre de service régional autorisé.

Pour obtenir le service et/ou la localité de votre centre de service régional, signalez le NUMÉRO D'APPEL SANS FRAIS. Ayez les renseignements suivants à la portée de la main lors de la commande de pièce ou service :

- Type de produit
- Numéro de modèle
- Numéro de pièce
- Description de la pièce