

Hisense

Dehumidifier Use & Care Guide Guía de uso y cuidado del deshumificador



Model/Modelo:
DH3020K1W

For questions about features, operation/performance, parts or service, call:

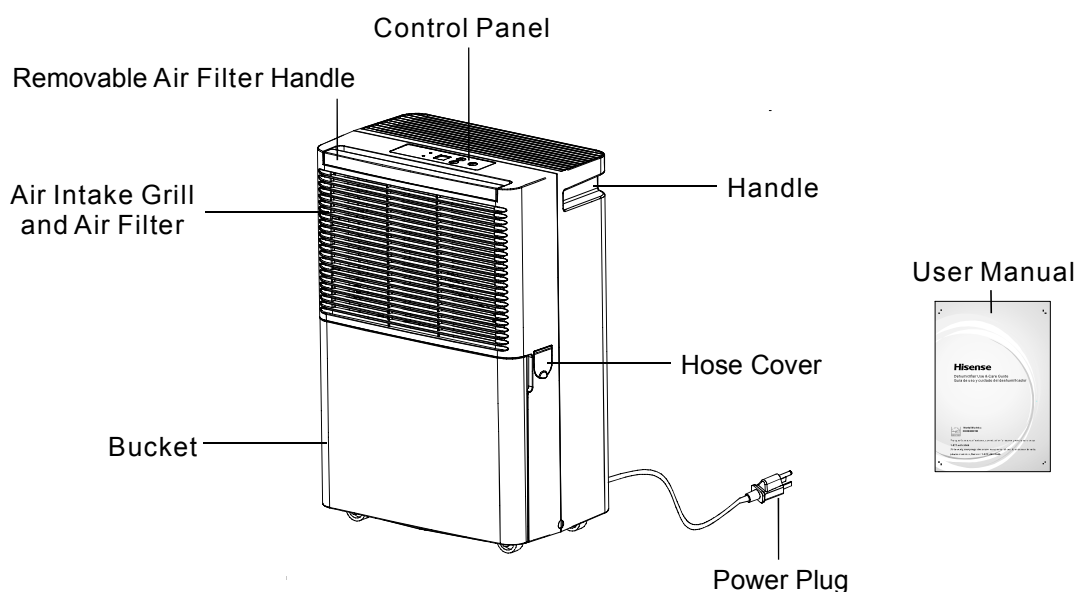
1-877-465-3566

Si tiene algunas preguntas sobre las características, función/rendimiento, piezas o servicio, llame al: **1-877-465-3566**

TABLE OF CONTENTS

PRODUCT OVERVIEW	1
DEHUMIDIFIER SAFETY	2
INSTALLATION REQUIREMENTS	5
Electrical Requirements	5
Location Requirements	5
DEHUMIDIFIER USE	6
Setting the Controls	6
Draining the Dehumidifier	8
Normal Sounds	9
DEHUMIDIFIER CARE	10
Cleaning the Air Filter	10
Cleaning the Dehumidifier	10
TROUBLE SHOOTING	11

Product Overview



NOTE:

The figures in this manual are based on the external view of a standard model. They may differ from that dehumidifier you have selected.

DEHUMIDIFIER SAFETY

Your safety and safety of others are very important

We have provided many important safety messages in this manual and on your appliance. Always read and follow all safety messages.



This is the safety alert symbol.

This symbol alerts you to potential hazards that can kill or hurt you and others.

All safety messages will follow the safety alert symbol with the word "DANGER" or "WARNING"

These words mean:

⚠ DANGER

A hazard that if not avoided, will result in death or serious injury.

⚠ WARNING

A hazard that if not avoided, could result in death or serious injury.

All safety messages will tell you what the potential hazards are, tell you how to reduce the chance of injury and tell you what can happen if the instructions are not followed.

IMPORTANT SAFETY INSTRUCTIONS

⚠ DANGER To reduce the risk of explosion, fire, death, electric shock, scalding, or injury to persons when using this appliance, follow basic precautions, including the following:

INSTALLATION

- Plug into a grounded 3 prong outlet. Do not remove ground prong.
- Never attempt to operate this appliance if it is damaged, malfunctioning, partially disassembled, or has missing or broken parts, including a damaged cord or plug.
- Do not use an electrical adapter or multiple-outlet adaptors with this dehumidifier.
- Do not use an extension cord.
- Unplug dehumidifier before servicing.
- Do not drink water collected in the water bucket.
- The appliance is not intended for use by young children or impaired people without supervision, young children should be supervised to ensure that they do not play with the appliance.
- When installing or moving the appliance, be careful not to pinch, crush, or damage the power cord.
- Keep packing materials out of the reach of children. Packaging material can be dangerous for children. There is a risk of suffocation.
- Do not use the appliance in standing water or allow the product to be directly splashed by water during use.
- Store and install the appliance where it will not be exposed to temperatures below freezing or exposed to outdoor weather conditions.
- Call an authorized service technician to repair or immediately replace all power cords that have become damaged. Do not use a cord that shows cracks or abrasion damage along its length or at either end.

- Do not use the product if the outlet is damaged or loose.
- In the event of a gas leak (propane gas, LP gas, etc.) do not operate this or any other appliance. Open a window or door to ventilate the area immediately.
- Do not disassemble, repair or modify the product.
- Do not store or use flammable gases or materials near the dehumidifier.

OPERATION

- Read all instructions before using the appliance and save these instructions.
- Do not tamper with controls.
- Push the power plug all the way into the wall outlet so that it is not loose.
- Do not grasp the power cord or touch the appliance controls with wet hands.
- Do not modify or extend the power cord.
- If the product makes a strange noise or emits a smell or smoke, pull the power plug out and contact Hisense customer service.
- Avoid placing the dehumidifier or other heavy objects on top of the power cord.
- Do not use water to clean the dehumidifier.
- Keep the air inlet and outlet free from obstructions.
- Do not cover the power cord with a rug or carpeting. Placing heavy objects on top of the cord could damage it.
- Keep the product away from fire and high heat.
- Do not use the product in places where it could be splashed by water.
- Do not insert fingers, sticks etc. into the air inlet or outlet. The fan is running at high speeds and could cause personal injuries.
- Do not repair or replace any part of the appliance. All repairs and servicing must be performed by qualified service personnel unless specifically recommended in this owner's manual. Use only authorized factory parts.
- Connect to a properly rated, protected, and sized power circuit to avoid electrical overload.

SAVE THESE INSTRUCTIONS

▲ WARNING To reduce the risk of injury to persons, malfunction, or damage to the product or property when using this appliance, follow basic safety precautions, including the following:

INSTALLATION

- Use this appliance only for its intended purpose.
This product is not designed for preserving precision instruments, tableware or art works.
- Never unplug the appliance by pulling on the power cord. Always grip the plug firmly and pull straight out from the outlet.
- Do not use the product in places where chemicals are used.
Chemicals and solvents dissolved in the air could cause product deformation and leaking,
- Turn off the dehumidifier and pull out the power plug before cleaning.
Wait for the fan to stop moving.
- Do not operate the dehumidifier without a filter.
Using the product without a filter could result in a reduced product lifespan, electric shock or injury.

OPERATION

- Do not use the product for preserving animals/plants, precision instruments, art works etc.
- Do not place any objects on top of the dehumidifier.
- Turn off the dehumidifier and empty the water bucket before moving the dehumidifier.
- Pull out the power plug if you will not be using the product for an extended period.
- Do not use the product in a very small space such as a closet.
Poor ventilation could result in overheating.
- Do not use wax, thinner or a strong detergent when cleaning. Wipe the product using a soft cloth.
- Do not use the product in direct sunlight or rain.
- Do not touch the product with wet hands.
- Position the product on a firm, stable surface.
- Remove cable ties and extend power cord before use.
- Do not spray foreign substances or water on the product.

SAVE THESE INSTRUCTIONS


STORAGE AND DISPOSING OF THE UNIT

- Dispose of this appliance in accordance with Federal and Local regulations.
- Refrigerants must be evacuated before disposal.
- Please recycle or dispose of the packaging material of the product in an environment-friendly manner.
- To avoid damage to the compressor, never store or ship the appliance upside down or sideways.

INSTALLATION REQUIREMENTS

Electrical Requirements

⚠ WARNING



Electrical Shock Hazard

Always plug into a grounded three-prong outlet.
Do not remove ground prong.
Do not use an adapter.
Do not use an extension cord.
Failure to follow these instructions can result in death, fire, or electrical shock.

Specific electrical requirements are listed in the chart below. Follow the requirements for the type of plug on the power supply cord.

Power Supply Requirements



- 115V (103.5 min. to 126.5 max.)
- 15A time-delay fuse or circuit breaker

Recommended Grounding Method

This dehumidifier must be grounded. This dehumidifier is equipped with a power supply cord with a three-prong grounding plug. The cord must be plugged into a mating, grounded three-prong outlet, grounded in accordance with all local codes and ordinances. If a mating outlet is not available, it is the customer's responsibility to have a properly grounded three-prong outlet installed by a qualified electrician.

It is the customer's responsibility:

- To contact a qualified electrical installer.
- To assure that the electrical installation is adequate and conforms to the Nation Electrical Code, ANSI/NFPA 70-last edition, and all local codes and ordinances.

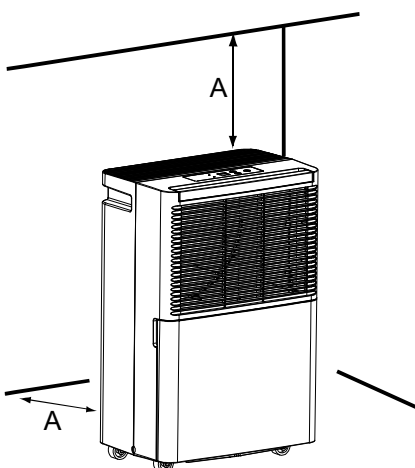
Copies of the standards listed may be obtained from:

Nation Fire Protection Association
1 Batterymarch Park
Quincy, Ma 02169-7471
www.nfpa.org

Location Requirements

⚠ WARNING To reduce the risk of injury to persons, malfunction, or damage to the product or property when using this appliance, follow basic safety precautions, including the following:

NOTE: Your model may differ from the one shown.



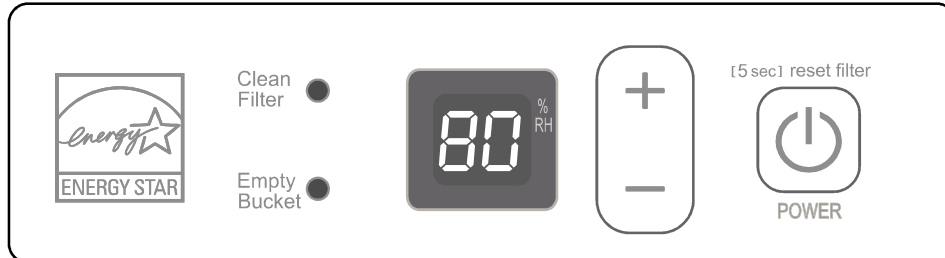
A. 12" to 18" (30.5cm to 45.7cm)

- Do not locate outdoors. This dehumidifier is intended for indoor, residential use only. This dehumidifier is not recommended for commercial use.
- Allow at least 12" to 18" (30.5 cm to 45.7 cm) of space on the rear and sides of the dehumidifier for models with back louver and above the dehumidifier for models with top louvers.
- You will need a surface strong enough to support the dehumidifier when its bucket is full of water.
- You will need a surface level enough to keep the water from spilling when the bucket is full of water.
- Do not block the louvers of the unit .
- Never operate this dehumidifier in an area that is likely to accumulate standing water. If this condition develops, for your safety disconnect the power supply before stepping into the water.

DEHUMIDIFIER USE

Setting the Controls

Control Panel



NOTE:

- The control panel of your model may differ from the one shown above.

Starting/Stopping the Dehumidifier

▲ WARNING The dehumidifier should be upright for at least 2 hours before use.

NOTE:

- Before turning on the dehumidifier, be sure that the bucket is empty and fits all the way into the dehumidifier.
- Each time you unplug the dehumidifier or power is interrupted, the controls will return to the previous settings when power is restored.
- Humidity displayed is between 30% Relative Humidity and 90% Relative Humidity.
- Humidity can be set between 30% Relative Humidity and 80% Relative Humidity.
- It's important to set the desired humidity level to an achievable setting. To ensure energy-efficient operation, only use the dehumidifier in a closed space, with no open windows or other sources of moist air (to avoid continuous running).
- Operating temperature is between 38°F to 90°F (3.2°C to 32.2°C).
At temperatures of 38°F (3.2°C) or less, water freezes inside the product. At temperatures over 90°F (32.2°C), the internal temperature of the product trips a protective device which deactivates the product to avoid product damage.
- The compressor has a 3-minute delay before restarting. If the product is stopped and immediately restarted, to protect the compressor there is a 3-minute delay until the compressor restarts.

- When the dehumidifier is operating, the indoor temperature will rise. The dehumidifier does not have a cooling /heating function. Heat is generated during operation, so the room temperature may be increased by about 6°F (3°C) depending on the usage conditions (indoor temperature, size of the room).

▲ WARNING



Electric Shock Hazard

Always plug into a grounded three-prong outlet.

Do not remove ground prong.

Do not use an adapter.

Do not use an extension cord.

Failure to follow these instructions can result in death, fire or electric shock.

1. Plug into a grounded three-prong outlet.
2. Press POWER to turn on the dehumidifier.
3. Press the plus or minus button to set the level of humidity.
4. Press POWER to turn off the dehumidifier.



NOTE:

In the case of a power outage or interruption, the dehumidifier will automatically restart, in the settings last used, after the power is restored.

Empty Bucket Light

If this light is on, the fan and the compressor will stop running. This light indicates that you need to check:

- If the bucket is full, empty and re-install bucket.
- If the bucket is not in position, remove the bucket and re-install it. Make sure the bucket fits all the way into the dehumidifier and the bucket light is off, or dehumidifier will not run.

Fan Speed

1. Single Fan speed .

NOTE:

Once the relative humidity of the room hit the desired setting, the compressor will stop and the fan will be off periodically.

The fan may periodically turn on, to read the humidity level, without the compressor running.

Desired Humidity-Mode

1. Humidity can be adjusted manually .

- If the humidity level of the room is higher than the desired humidity setting, the compressor will turn on. If the humidity level of the room is lower than the desired humidity setting, the compressor will turn off, as well as the fan.

NOTE:

The de-icing function will turn off the compressor if a low temperature condition occurs. When the de-icer senses the correct operating temperature, the compressor will cycle back on. Some freezing is normal when dehumidifiers are used at low temperatures.

Power

Press POWER to turn on or turn off the dehumidifier.



Humidity Level

1. Press the Plus or Minus button to set the desired humidity level. Desired humidity in the digital display will flash for 5 seconds after operation.



2. Actual room humidity will be displayed after 5 seconds of flashing the desired humidity.
3. To set the dehumidifier for continuous operation, press the Minus button until “CO” flash for 5 seconds and then display. In continuous mode, room humidity will **NOT** be displayed .

NOTE:

If continuous mode is selected, the dehumidifier will operate continuously at its maximum dehumidification settings if attached to a hose to drain or until the bucket is full.

4. When the dehumidifier is operating in continuous mode, press the Plus button and then unit will stop the continuous running and goes back to manual mode.

Digital Display

The display shows relative humidity.

1. When the dehumidifier is running, the display shows the relative humidity of the room.



NOTE:

The humidity displayed is only for reference. For accurate humidity, please check a hygrometer.

2. “CO” will be displayed when the dehumidifier is operating in continuous mode.
3. In continuous mode, room humidity will **NOT** be displayed.



Clean Filter

1. When the Clean Filter indicator light is on, remove, clean and replace the air filter. See “Cleaning the Air Filter”.
2. Press the POWER button for 5 seconds after cleaning and replacing the air filter to reset the filter monitor.

[5 sec] reset filter



NOTE:

When the light is on, it will remain on for 180 hours or until you press POWER button for 5 seconds.

Draining the Dehumidifier

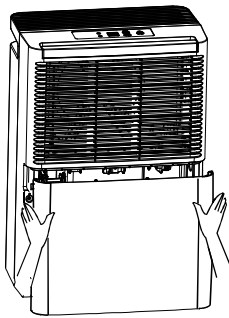
⚠ WARNING

Sickness Hazard
Do not drink water collected in water bucket.
Doing so can result in sickness.

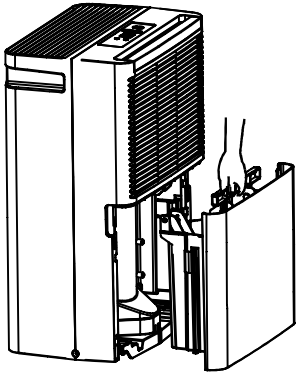
Option 1 Bucket Draining

If a floor drain is not available, or you do not plan to run your dehumidifier continuously, you may want to simply empty the bucket.

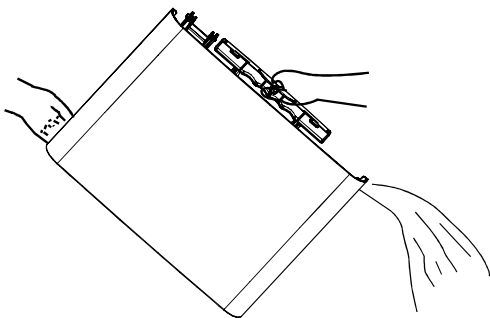
1. Grasp the bucket sides to slide out bucket.



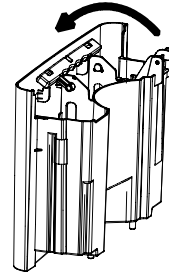
2. Lift the bucket up by the handle.



3. Pour water into a sink or tub.



4. Fold down the handle and reinstall the bucket.



IMPORTANT:

If the Empty Bucket light comes on, the dehumidifier will not operate. The bucket may need to be emptied or re-installed.

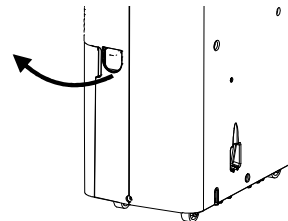
NOTE:

- If the water bucket is removed immediately after turning off the dehumidifier, the water remaining in the heat exchanger may drip inside the water bucket storage area. Remove the water with a soft cloth.
- While cleaning, do not touch the water level float.
- Clean the water bucket once a week during use.
- If the ambient temperature is low, there is less moisture in the air for the product to remove.
- Unplug the product before removing the water bucket. If the bucket is removed while the product is operating, the compressor will stop.

Option 2 Gravity Draining

If you plan to run your dehumidifier continuously, you can choose direct draining by attaching a garden hose to the unit.

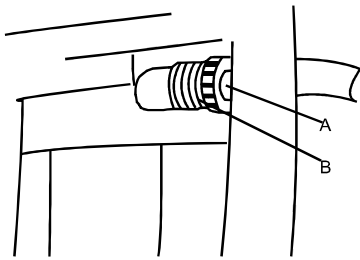
1. Turn off the dehumidifier and unplug the power supply cord.
2. Uncover the connector cover on the side of the unit.



3. Remove bucket.
4. Attach a garden hose to the drain hose connector on the inside of the dehumidifier. Securely attach the hose to be sure there is no water leak.

NOTE:

- The garden hose sold separately.
- The connection is designed for North American garden hoses only.



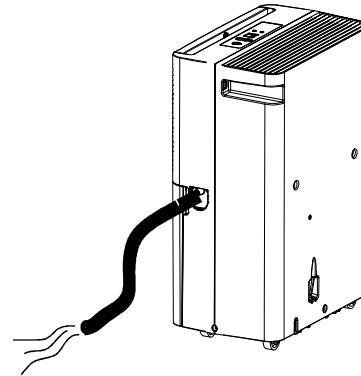
A. Garden hose
B. Drain hose connector

IMPORTANT:

In North America the garden hose connectors are 3/4" diameter straight (non-tapered) thread with a pitch of 11.5 threads per inch (male part has an outer diameter of 1 1/16 inches (26.99mm)).

⚠ WARNING Take care not to injure hands while connecting the hose.

5. Place the other end of garden hose into a floor drain. Check to see that the hose lies flat and is in the drain. Make sure the draining end of the hose is on a lower level than the hose connection to the dehumidifier. The hose should not be kinked or pinched.



6. Reinstall bucket.

NOTE:

- To use the bucket without the garden hose, simply remove the garden hose, then reinstall bucket.
- The bucket must be installed and properly aligned for the dehumidifier to operate with or without a garden hose connected.

Normal Sounds

When your dehumidifier is operating normally, you may hear sounds such as:

- Compressor sounds, which may be loud.
- Air movement from the fan.
- Clicking sounds when the dehumidifier or compressor turns on and off, and when the Automatic shut-off Switch is working.

DEHUMIDIFIER CARE

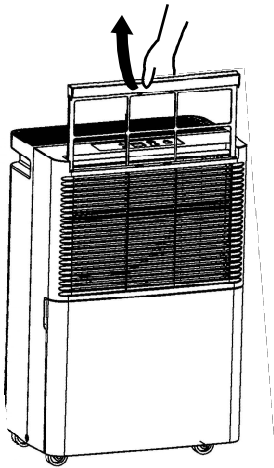
Your new dehumidifier is designed to give you many years of dependable service. This section explains how to clean and care for your dehumidifier.

To avoid damage to the compressor, never store or ship the appliance upside down or sideways.

Cleaning the Air Filter

The air filter is removable for easy cleaning. A clean filter helps remove dust, lint, and other particles from the air and is important for best operating efficiency. Check the filter every two weeks to see whether it needs cleaning.

1. Turn off the dehumidifier.
2. Pull out the air filter.



3. Use a vacuum cleaner to clean the air filter if the air filter is dirty, wash it in warm water with a mild detergent.
4. Insert the air filter into the dehumidifier.
5. Turn on the dehumidifier.

NOTE:

Do not wash air filter in the dishwasher or use any chemical cleaner. Air dry filter completely before reinstalling to ensure maximum operating efficiency.

Cleaning the Dehumidifier

Exterior

1. Turn off the dehumidifier and unplug the power supply cord.
2. Dust the surface of the unit with a soft cloth or the dusting attachment of your vacuum cleaner.

Water Bucket

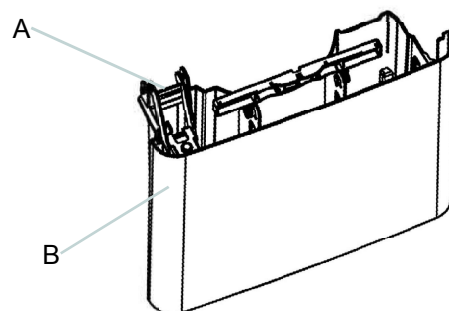
Every few weeks, rinse the inside of the water bucket with a mild detergent to avoid growth of mold, mildew and bacteria.

Water level float

The dehumidifier's water bucket has a water level float. Do not damage or remove the bucket's water level float. If the float is not properly in place, the Empty Bucket light will turn on, preventing operation, and could result in leaking.

NOTE:

Be sure the float is snapped correctly in place.



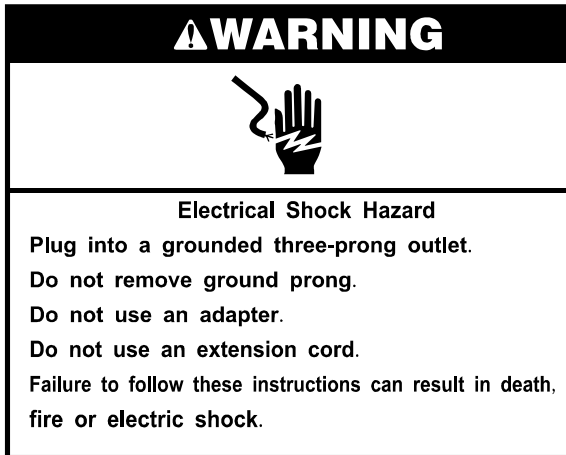
- A. Water level float
B. Bucket

TROUBLE SHOOTING

Before calling for service, try the suggestions below.

Dehumidifier will not run

- Is the dehumidifier turned on?
Turn on the dehumidifier.



- Is the power cord plugged into a grounded three-prong outlet?
Plug into a grounded three-prong outlet. See “Electrical Requirements” on page 5.
- Has a household fuse blown or has a circuit breaker tripped?
Replace the fuse or reset the circuit breaker. If the problem continues, call an electrician. See “Electrical Requirements” on page 5.
- Is the bucket installed properly?
Reinstall the bucket so that it fits all the way into the dehumidifier.
- Does the bucket need to be emptied?
Empty the bucket.
- Is the water level float in place?
Remove the bucket. Make sure the float is snapped in place. Reinstall the bucket.
- Did the dehumidifier suddenly stop operating, and won't turn on?
Confirm the power is connected, and the bucket is in place. If the unit still doesn't operate, call Hisense for Warranty service.

Dehumidifier runs but does not dehumidify

- All models have an automatic de-icing function that will shut off the compressor and allow the fan to run. When the de-icing function senses the correct operating temperature, the compressor will cycle back on.
- The filter is dirty or obstructed debris. Clean the filter.

Air coming from the dehumidifier is warm

- Dehumidifier will put out warm air under normal operating conditions.

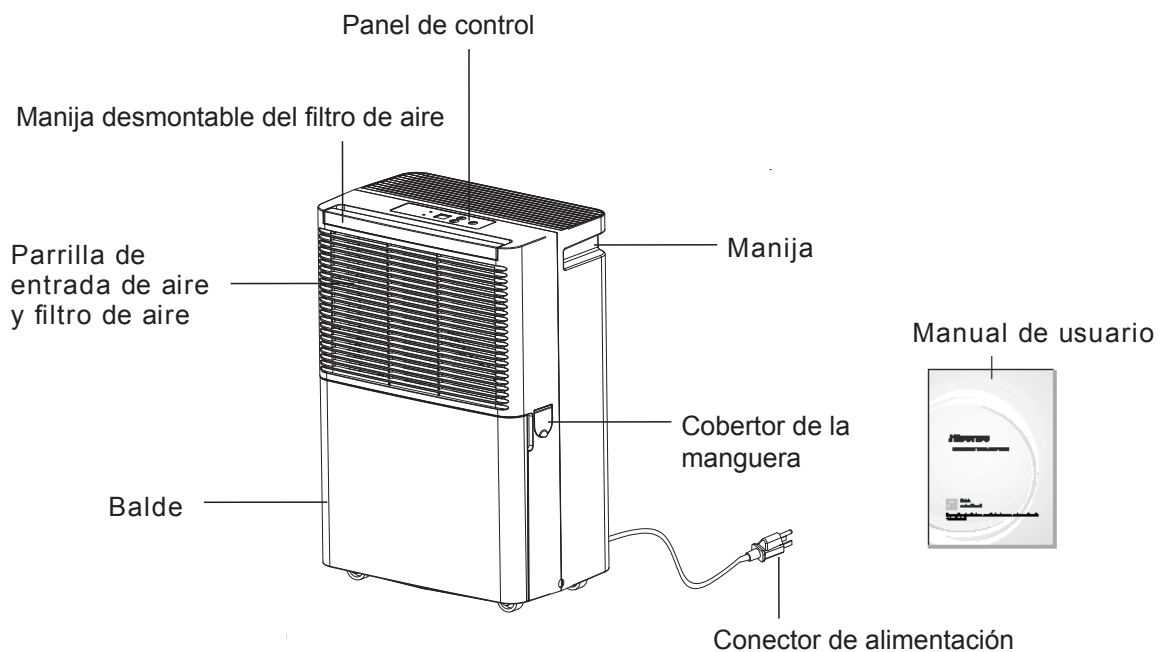
Dehumidifier displays error codes

- If the dehumidifier displays an error code, please contact Hisense customer service.

TABLA DE CONTENIDOS

DESCRIPCIÓN DEL PRODUCTO	12
SEGURIDAD DEL DESHUMIFICADOR	13
REQUISITOS PARA LA INSTALACIÓN.....	16
Requisitos eléctricos	16
Requisitos para la ubicación.....	16
USO DEL DESHUMIFICADOR.....	17
Configuración de los controles.....	17
Desagüe del deshumificador.....	20
Sonidos normales	20
CUIDADO DEL DESHUMIFICADOR.....	21
Limpieza del filtro del aire.....	21
Limpieza del deshumificador.....	21
SOLUCIÓN DE PROBLEMAS.....	22

Descripción del producto



NOTA:

Las imágenes en este manual se basan en la vista externa de un modelo estándar. Las mismas pueden diferir del deshumificador que usted eligió.

SEGURIDAD DEL DESHUMIFICADOR

Su seguridad y la seguridad de otros son muy importantes.

Hemos proporcionado mensajes de seguridad importantes en este manual y en el electrodoméstico. Lea y siga siempre todos los mensajes de seguridad.

Este es el símbolo de alerta de seguridad.



Este símbolo lo alerta sobre un peligro potencial que puede matarlo o herirlo a usted y a otros. Todos los mensajes de seguridad estarán seguidos con el símbolo de alerta y la palabra "PELIGRO" o "ADVERTENCIA".

Estas palabras quieren decir:



PELIGRO

Un peligro que si no se evita resultará en la muerte o en lesiones graves.



ADVERTENCIA

Un peligro que si no se evita podría resultar en la muerte o en lesiones graves.

Todos los mensajes de seguridad le dirán qué peligro es, cómo reducir las probabilidades de lesiones y qué sucede si no se siguen las instrucciones.

INSTRUCCIONES DE SEGURIDAD IMPORTANTES



PELIGRO

Para reducir el riesgo de explosiones, incendios, muertes, descargas eléctricas, quemaduras y lesiones en las personas cuando utilizan este electrodoméstico, siga las siguientes precauciones básicas:

INSTALACIÓN

- Conéctelo a un tomacorriente de 3 patas con conexión a tierra. No quite la terminal a tierra.
- Nunca intente operar el electrodoméstico si está dañado, funciona mal, está parcialmente desmontado o faltan piezas o tiene pizas rotas, incluyendo el cable o el conector.
- No utilice adaptadores eléctricos ni tomacorrientes múltiples con este deshumificador.
- No utilice un cable de extensión.
- Desconecte el deshumificador antes de realizar el mantenimiento.
- No beba el agua que se acumula en el balde.
- El electrodoméstico no está destinado para ser utilizado por niños o personas discapacitadas sin supervisión. Los niños deben ser supervisados para asegurarse de que no jueguen con el electrodoméstico.
- Cuando instale o mueva el electrodoméstico, tenga cuidado de no aplastar, apretar o dañar el cable de alimentación.
- Mantenga los materiales de empaque lejos del alcance de los niños. El material de empaque puede ser peligroso para los niños. Existe riesgo de sofocación.
- No utilice el electrodoméstico sobre el agua ni deje que el producto sea salpicado con agua durante el uso.
- Guarde e instale el electrodoméstico donde no quede expuesto a temperaturas bajo cero o expuestos a las condiciones climáticas del exterior.
- Llame a un técnico de servicio autorizado para que repare o reemplace todos los cables de alimentación que puedan dañarse. No utilice un cable que tenga rajaduras o abrasiones a lo largo o en los extremos.

- No utilice el producto si el tomacorriente está dañado o flojo.
- En caso de una fuga de gas (gas propano, gas LP, etc.) no opere este ni ningún otro electrodoméstico. Abra la ventana o la puerta para ventilar el área inmediatamente.
- No desarme, repare ni modifique el producto.
- No almacene ni utilice gases inflamables o materiales inflamables cerca del deshumificador.

FUNCIONAMIENTO

- Lea todas las instrucciones antes de utilizar el electrodoméstico y conserve estas instrucciones.
- No manipule con controles.
- Presione el conector en el tomacorriente de la pared para que no quede flojo.
- No agarre el cable de alimentación ni toque los controles del electrodoméstico con las manos mojadas.
- No modifique ni extienda el cable de alimentación.
- Si el producto hace un ruido extraño o emite olores o humo, desconecte el conector y contacte a Hisense EE.UU.
- Evite colocar el deshumificador u otros objetos pesados en la parte superior del cable de alimentación.
- No utilice agua para limpiar el deshumificador.
- Mantenga la entrada y salida de aire libre de obstrucciones.
- No cubra el cable de alimentación con una alfombra o tapete. Colocar objetos pesados sobre el cable de alimentación puede dañarlo.
- Mantenga el producto alejado del fuego y de altas temperaturas.
- No utilice el electrodoméstico en lugares donde podría ser salpicado con agua.
- No coloque los dedos, palos, etc. en la entrada o salida del aire. El ventilador funciona a alta velocidad y podría causar lesiones.
- No repare ni reemplace ninguna pieza del electrodoméstico. Todas las reparaciones y el mantenimiento deben ser realizadas por un personal del servicio calificado a menos que se recomiende específicamente en este manual. Sólo utilice piezas autorizadas de fábrica.
- Conéctelo a un circuito de alimentación nominal y protegido correctamente para evitar sobrecargas eléctricas.

GUARDE ESTAS INSTRUCCIONES

⚠️ ADVERTENCIA

Para reducir los riesgos de lesiones en las personas, malfuncionamientos o daños al producto o a la propiedad cuando utiliza el electrodoméstico, siga las precauciones básicas, incluyendo las siguientes:

INSTALACIÓN

- Utilice este electrodoméstico sólo para su propósito.
Este producto no está diseñado para preservar instrumentos de precisión, vajillas u obras de arte.
- Nunca desconecte el electrodoméstico tirando del cable de alimentación. Agarre siempre firmemente el conector y tire del tomacorriente.
- No utilice el electrodoméstico en lugares donde se utilizan químicos.
Los químicos y solventes disueltos en el aire pueden producir deformaciones y fugas en el producto.
- Apague el deshumificador y quite el conector antes de realizar la limpieza.
Espere a que el ventilador termine de moverse.
- No haga funcionar el deshumificador sin un filtro.
Utilizar este producto sin un filtro puede reducir su vida útil, causar descargas eléctricas o lesiones.

FUNCIONAMIENTO

- No utilice el producto para preservar animales/plantas, instrumentos de precisión, arte, etc.
- No coloque floreros o jarras sobre el deshumificador.
- Apague el deshumificador y vacíe el balde de agua antes de mover el deshumificador.
- Quite el conector si no va a utilizar el producto por un largo período de tiempo.
- No utilice el producto en espacios muy chicos como armarios.
La poca ventilación podría causar sobrecalentamiento.
- No utilice cera, diluyente o detergentes fuertes cuando realiza la limpieza. Seque el producto utilizando un paño suave.
- No utilice el producto en la luz solar directa o la lluvia.
- No toque el producto con las manos húmedas.
- Posicione el producto en una superficie sólida y estable.
- Retire las ataduras del cable y extienda el cable de alimentación antes del uso.
- No pulverice las sustancias extrañas o el agua en el producto.

GUARDE ESTAS INSTRUCCIONES

ALMACENAMIENTO Y ELIMINACIÓN DE LA UNIDAD

- Elimine el electrodoméstico según las normas federales y locales.
- Se debe eliminar el refrigerante antes de la eliminación.
- Recicle o elimine el material de empaque del producto de manera responsable y ecológica.
- Para evitar daños en el compresor, nunca guarde ni envíe el electrodoméstico boca abajo o de lado.

REQUISITOS PARA LA INSTALACIÓN

Requisitos eléctricos

⚠ ADVERTENCIA



Peligro de descarga eléctrica

Siempre conéctelo a un tomacorriente de tres patas con conexión a tierra.
No quite la terminal a tierra.
No utilice un adaptador.
No utilice un cable de extensión.
El incumplimiento de estas instrucciones puede resultar en la muerte, incendios o descargas eléctricas.

Los requisitos eléctricos específicos se mencionan en la siguiente tabla.
Siga los requisitos para el tipo de conector del cable de alimentación.

Requisitos para el suministro eléctrico



- 115 V (103.5 mín. a 126.5 máx.) Fusible
- con retraso de 15 A o disyuntor

Método de conexión a tierra recomendado

El deshumificador debe estar conectado a tierra. El deshumificador está equipado con un cable de alimentación y un tomacorriente de tres patas con conexión a tierra. El cable se debe conectar a un tomacorriente de tres patas con conexión a tierra, conectado a tierra según los códigos y ordenanzas locales. En caso de no disponer de un tomacorriente, es responsabilidad del cliente tener un tomacorriente de tres patas con conexión a tierra instalado por un electricista calificado.

Es responsabilidad del cliente:

- Contactar a un electricista calificado.
- Garantizar que la instalación eléctrica sea adecuada y conforme al Código Eléctrico Nacional, códigos y ordenanzas locales.

Las copias de las normas mencionadas se pueden obtener de:

Asociación Nacional de Protección contra el Fuego
1 Batterymarch Park
Quincy, Ma 02169-7471
www.nfg.org

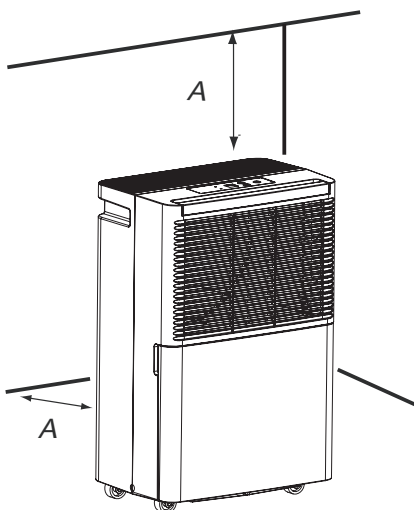
Requisitos para la ubicación

⚠ ADVERTENCIA

Para reducir los riesgos de lesiones en las personas, malfuncionamientos o daños al producto o a la propiedad cuando utiliza el electrodoméstico, siga las precauciones básicas, incluyendo las siguientes:

NOTA:

Su modelo puede diferir del que se muestra aquí.



A: 12" a 18" (30.5 a 45.7cm)

- No lo coloque al aire libre. Este deshumificador está destinado sólo para uso interno y residencial. Este deshumificador no se recomienda para uso comercial.
- Deje un espacio de al menos 12" a 18" (30,5 cm a 45,7 cm) en la parte trasera y en los laterales del deshumificador para los modelos con persianas traseras y sobre el deshumificador para modelos con persianas en la parte superior.
- Necesitará una superficie lo suficientemente fuerte para brindar soporte al deshumificador cuando el balde esté lleno de agua.
- Necesitará una superficie lo suficientemente nivelada para que el agua no se derrame cuando el balde esté lleno de agua.
- No bloquee las persianas de la unidad.
- Nunca opere el deshumificador en un área que acumule agua. Si se produce esta condición, por su seguridad desconecte el suministro eléctrico antes de pisar el agua.

USO DEL DESHUMIFICADOR

Configuración de los controles

Panel de control



NOTA:

- El panel de control de su modelo puede diferir del que se muestra arriba.

Inicie / Detenga el Deshumificador

⚠ ADVERTENCIA El deshumificador debería estar de forma vertical por al menos 2 horas antes del uso.

NOTA:

- Antes de encender el deshumificador, asegúrese de que el balde esté vacío y se adapte en el deshumificador.
- Cada vez que desconecta el deshumificador o se corta la energía, los controles volverán a la configuración previa cuando vuelva la energía.
- La humedad que se muestra está entre 30% humedad relativa y 90% humedad relativa.
- La humedad se puede establecer entre 30% humedad relativa y 80% humedad relativa.
- Es importante establecer el nivel de humedad deseada para un ajuste posible. Para garantizar un funcionamiento de eficiencia energética, sólo utilice el deshumificador en espacios cerrados, sin ventanas abiertas ni otras fuentes de aire húmedo (para evitar el funcionamiento continuo)
- La temperatura de funcionamiento es entre 38°F a 90°F (3,2°C a 32,2°C).
A temperaturas de 38°F (3,2°C) o menores, el agua se congela dentro del producto. A temperaturas superiores a 90°F (32,2°C), la temperatura interna del producto hace saltar el dispositivo de protección, el cual desactiva el producto para evitar que el producto se dañe.
- El compresor tiene un retraso de 3 minutos antes de reiniciarse. Si el producto se detiene e inicia automáticamente para proteger el compresor, habrá un retraso de 3 minutos hasta que el compresor se reinicie.

- Cuando el deshumificador está funcionando, la temperatura interior aumentará. El deshumificador no tiene la función cooling/heating (frio/calor).

El calor se genera durante el funcionamiento, por lo tanto la temperatura de la habitación puede incrementar a 6°F (3°C) dependiendo en las condiciones de uso (temperatura interna, tamaño de la habitación).

⚠ ADVERTENCIA



Peligro de descarga eléctrica

Siempre conéctelo a un tomacorriente de tres patas con conexión a tierra.
No quite la terminal a tierra.
No utilice un adaptador.
No utilice un cable de extensión.
El incumplimiento de estas instrucciones puede resultar en la muerte, incendios o descargas eléctricas.

1. Conéctelo a un tomacorriente de tres patas con conexión a tierra.
2. Presione POWER para encender el deshumificador.
3. Presione el botón Más o Menos para configurar el nivel de humedad.
4. Presione POWER para apagar el deshumificador.



NOTA:

En el caso de que haya un corte o una interrupción de energía, el deshumificador se reiniciará automáticamente, con los ajustes que usted utilizó la última vez, cuando se restableció la energía.

Luz de Vaciar el Balde

Si esta luz se enciende, el ventilador y el compresor dejarán de funcionar. Esta luz indica que necesitará verificar:

- Si el balde está lleno, vacíelo y vuelva a colocar el balde.
- Si el balde no está en posición, quítelo y vuelva a colocarlo. Asegúrese de que el balde se adapte en el deshumidificador y que la luz del balde esté apagada o el deshumidificador no funcionará.

Velocidad del Ventilador

1. Única Velocidad del Ventilador

NOTA:

Una vez que la humedad relativa de la habitación alcance el nivel deseado, el compresor se detendrá y el ventilador se apagará periódicamente.

El ventilador se puede encender periódicamente para leer el nivel de humedad sin que el compresor funcione.

Modo de Humedad Deseada

1. La humedad se puede configurar manualmente.

- Si el nivel de humedad de la habitación es más alto que el ajuste de la humedad deseada, el compresor se encenderá. Si el nivel de humedad de la habitación es más bajo que el ajuste de la humedad deseada, el compresor se apagará, como también el ventilador.

NOTA:

La función de deshielo apagará el compresor si se produce una condición de temperatura baja. Cuando el descongelador detecta la temperatura de funcionamiento correcta, el compresor volverá a funcionar. Es normal que haya algo de congelación cuando se utiliza el deshumidificador a bajas temperaturas.

Power

Presione POWER para encender o apagar el deshumidificador.



Nivel de Humedad

1. Presione el botón Más o Menos para configurar el nivel de humedad deseada. La humedad deseada en la pantalla digital parpadeará por 5 seg. después de la operación.



2. Se mostrará la humedad actual de la habitación después de los 5 segundos de la humedad deseada.
3. Para ajustar el deshumidificador para que funcione de forma continua, pulse el botón Menos hasta que "CO" parpadee durante 5 segundos y luego se mostrará. En modo continuo, **NO** se mostrará la humedad de la habitación.

NOTA:

Si se selecciona el modo continuo, el deshumidificador funcionará de forma continua en los ajustes de deshumidificación máximos si se conecta a una manguera para que drene o hasta que el cubo esté lleno.

4. Cuando el deshumidificador está funcionando de forma continua, presione el botón "Plus" y entonces la unidad detendrá el funcionamiento continuo y volverá al modo manual.

Pantalla Digital

La pantalla muestra la humedad relativa.

1. Cuando el deshumidificador está funcionando, la pantalla muestra la humedad relativa de la habitación.



NOTA:

La humedad que se muestra es sólo de referencia. Para saber la humedad precisa, compruebe el higrómetro.

2. "CO" se mostrará cuando el deshumidificador esté funcionando de forma continua.
3. En modo continuo, **NO** se mostrará la humedad de la habitación.



Limpiar el Filtro

1. Cuando el indicador "Limpiar el filtro" está encendido, quite, limpie o reemplace el filtro de aire. Refiérase a "Limpieza del filtro del aire".
2. Presione el botón POWER durante 5 seg. después de limpiar y reemplazar el filtro de aire para reiniciar el monitor del filtro.

[5 segundos] restablezca el filtro
[5 sec] reset filter



NOTA:

Cuando la luz está encendida, permanecerá así por 180 horas o hasta que se presione el botón POWER durante 5 seg.

Desagüe del deshumificador

⚠ ADVERTENCIA

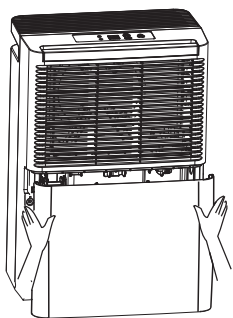
Peligro de enfermedades

**No beba el agua que se acumula en el balde.
Al hacerlo puede causar enfermedades.**

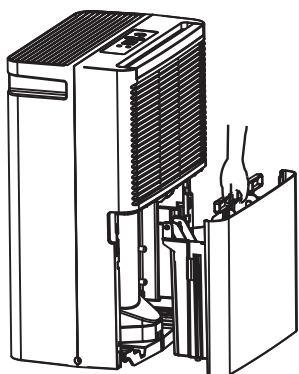
Opción 1 Drenaje del balde

Si no hay disponible un desagüe en el suelo, o si no planea que el deshumificador funcione continuamente, puede optar simplemente por vaciar el balde.

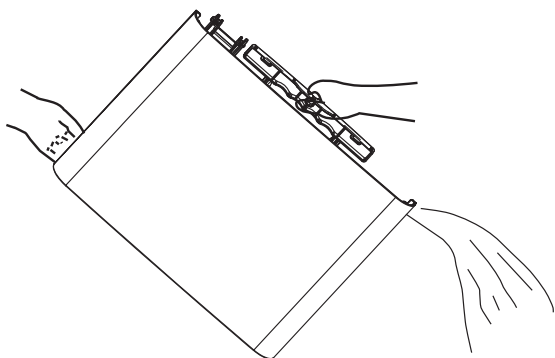
1. Agarre el balde de ambos lados para sacarlo.



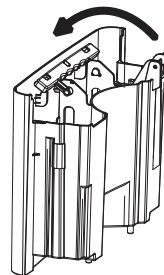
2. Levante el balde utilizando la manija.



3. Vierta el agua en un lavabo o en la bañera.



4. Incline la manija y vuelva a colocar el balde.



IMPORTANTE:

Si la luz de "Vaciar el balde" se enciende, el deshumificador no funcionará. Tiene que vaciar o volver a colocar el balde.

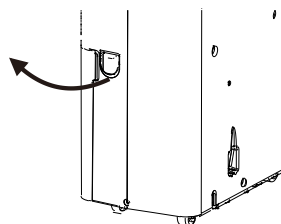
NOTA:

- Si se quita el balde inmediatamente después de apagar el deshumificador, el agua restante en el intercambiador de calor puede gotear dentro del área del balde de almacenaje de agua. Quite el agua con un paño suave.
- Durante la limpieza, no toque el flotador del nivel de agua.
- Durante el uso, limpie el balde una vez a la semana.
- Si la temperatura ambiente es baja, hay menos humedad en el aire para que el producto elimine.
- Desconecte el producto antes de quitar el balde. Si se quita el balde mientras que el producto está en funcionamiento, el compresor se detendrá.

Opción 2 Drenaje por gravedad

Si planea hacer funcionar el deshumificador de manera continua, puede elegir el drenaje directo mediante la adhesión de una manguera de jardín a la unidad.

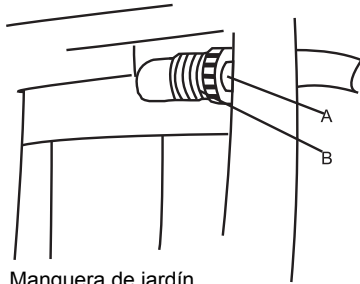
1. Apague el deshumificador y desconecte el cable de alimentación.
2. Destape el cobertor del conector en el lado lateral de la unidad.



3. Quite el balde.
4. Añada la manguera de jardín al conector de la manguera de drenaje en el lateral del deshumificador. Añada la manguera firmemente para asegurarse de que no haya fugas de agua.

NOTA: La manguera de jardín se vende por separado.

La conexión sólo está diseñada para mangueras de jardín de Norteamérica.



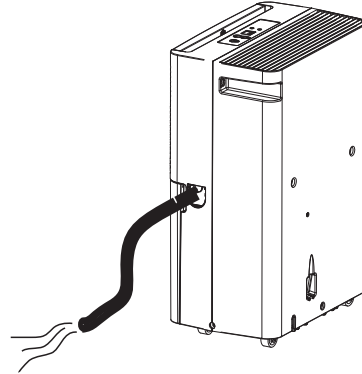
A. Manguera de jardín
B. Conector de la manguera de drenaje

IMPORTANTE:

En Norteamérica, los conectores para las mangueras de jardín son roscas rectas (no cónicas) de un diámetro de 3/4" con una inclinación de 11,5 roscas por pulgada (el macho tiene un diámetro externo de 1.1/16 pulgadas (26,99 mm)).

⚠ ADVERTENCIA Tenga cuidado de no lastimarse las manos cuando conecta la manguera.

5. Coloque el otro extremo de la manguera en el desagüe del suelo. Compruebe que la manguera esté plana y en el desagüe. Asegúrese de que el extremo de la manguera de drenaje esté un nivel más abajo que la conexión de la manguera en el deshumificador. La manguera no debe estar ni enroscada ni aplastada.



6. Vuelva a colocar el balde

NOTA:

- Para utilizar el balde sin la manguera de jardín, simplemente quite la manguera y vuelva a colocar el balde.
- El balde debe estar instalado correctamente y alineado para que el deshumificador funcione con o sin la manguera de jardín conectada.

Sonidos normales

Cuando el deshumificador funciona con normalidad, puede escuchar sonidos como:

- Sonidos del compresor, que pueden ser fuertes.
- El movimiento del aire desde el ventilador.
- Sonidos de "clic" cuando el deshumificador, o el compresor, se apaga o se enciende o cuando el interruptor de corte automático está funcionando.

CUIDADO DEL DESHUMIFICADOR

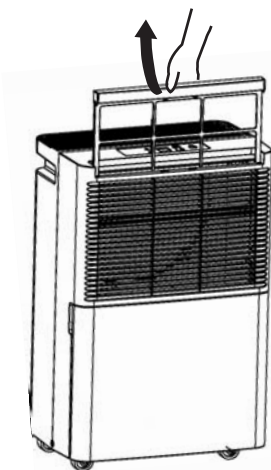
El nuevo deshumificador está diseñado para brindarle muchos años de servicio confiable. Esta sección explica cómo limpiar y cuidar el deshumificador.

Para evitar daños en el compresor, nunca guarde ni envíe el electrodoméstico boca abajo o de lado.

Limpeza del filtro del aire

El filtro de aire es desmontable para una limpieza más fácil. Un filtro limpio ayuda a quitar el polvo, la pelusa y otras partículas del aire y es importante para una mejor eficiencia de funcionamiento. Compruebe el filtro cada dos semanas para ver si necesita limpiarse.

1. Apague el deshumificador.
2. Quite el filtro de aire.



3. Utilice una aspiradora para limpiar el filtro. Si el filtro está muy sucio, lávelo con agua tibia y con detergente suave.
4. Coloque el filtro de aire en el deshumificador.
5. Encienda el deshumificador.

NOTA:

No lave el filtro de aire con detergente para vajillas ni utilice limpiadores químicos. Seque completamente el filtro antes de volver a colocarlo para garantizar una máxima eficiencia.

Limpeza del deshumificador

Exterior

1. Apague el deshumificador y desconecte el cable de alimentación.
2. Limpie el polvo de la superficie de la unidad con un paño suave o con una aspiradora.

Balde de agua

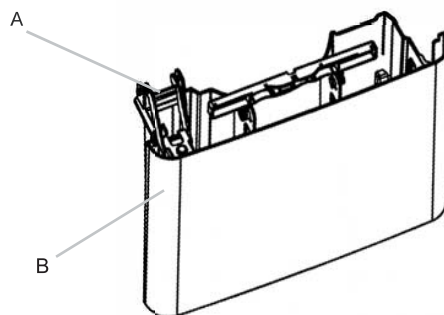
Cada un par de semanas, enjuague la parte interior del balde con detergente suave para evitar el crecimiento de moho, hongos y bacterias.

Flotador del nivel del agua

El balde del deshumificador tiene un flotador del nivel de agua.

No dañe ni quite el flotador del nivel de agua del balde. Si el flotador no está correctamente en su lugar, la luz de "Vaciar Balde" se encenderá evitando que funcione y podría causar fugas.

NOTA: Asegúrese de que el flotador esté correctamente en el lugar.



- A. Flotador del nivel del agua
B. Balde

SOLUCIÓN DE PROBLEMAS

Antes de llamar al servicio, intente las siguientes sugerencias.

El deshumificador no funciona

- ¿El deshumificador está encendido?
Encienda el deshumificador.



- ¿El cable de alimentación está conectado a un tomacorriente de tres patas con conexión a tierra?

Conéctelo a un tomacorriente de tres patas con conexión a tierra. Refiérase a "Requisitos eléctricos".

- ¿Se quemó un fusible o el disyuntor saltó?

Reemplace el fusible o reinicie el disyuntor. Si el problema continua, llame a un electricista. Refiérase a "Requisitos eléctricos".

- ¿El balde está instalado correctamente?

Vuelva a colocar el balde para que encaje en el deshumificador.

- ¿Se necesita vaciar el balde?

Vacíe el balde.

- ¿El flotador de nivel del agua está en el lugar?

Quite el balde. Asegúrese de que el flotador esté en el lugar. Vuelva a colocar el balde.

- ¿El deshumificador se detuvo de repente o no enciende?

Compruebe que esté conectado y que el balde esté en el lugar.

El deshumificador funciona pero no deshumidifica

- Todos los modelos tienen la función de deshielo que cortará el compresor y dejará que funcione el ventilador.

Cuando la función de deshielo detecta la temperatura de funcionamiento correcta, el compresor volverá a funcionar.

- El filtro está sucio u obstruido por restos.

Limpie el filtro.

El aire que proviene del deshumificador es cálido

- El deshumificador sacará aire cálido bajo condiciones de funcionamiento normales.

El deshumificador muestra códigos de error

- Si el deshumificador muestra un código de error, por favor contacte al servicio al cliente de Hisense.

