



SERVICE MANUAL

MIDEA DEHUMIDIFIER

T1 SERIES

Factory Model	Sale Model
EU-CF0.3BD/N3-T1(A3)	MDT1-08DMN3-QA3
EU-CFK0.3BD/N3-T1(A3)	MDT1-08DKN3-QA3
EU-CFZ0.3BD/N3-T1(A3)	MDT1-08DEN3-QA3
EU-CF0.4BD/N3-T1(A3)	MDT1-10DMN3-QA3
EU-CFK0.4BD/N3-T1(A3)	MDT1-10DKN3-QA3
EU-CFZ0.4BD/N3-T1(A3)	MDT1-10DEN3-QA3
EU-CFK0.6BD/N3-T1(A3)	MDT1-16DKN3-QA3
EU-CFZ0.6BD/N3-T1(A3)	MDT1-16DEN3-QA3
EU-CF0.6BD/N3-T1(A3)	MDT1-16DMN3-QA3
EU-CF0.8BD/N3-T1(A3)	MDT1-20DMN3-QA3
EU-CFK0.8BD/N3-T1(A3)	MDT1-20DKN3-QA3
EU-CFZ0.8BD/N3-T1(A3)	MDT1-20DEN3-QA3

T2 SERIES

EU-CFZ0.4BD/N3-T2(A3)	MDT2-10DEN3
-----------------------	-------------

CONTENTS

1. Precaution	1
1.1 Safety Precaution.....	1
1.2 Warning.....	!
2. Display	5
3. Dimension	6
4. Refrigerant Cycle Diagram	6
5. Wiring Diagram	7
6. Features	9
7. Electronic function	9
7.1 Terms and definitions	9
7.2 Electric part assembly condition that use	9
7.3 PCB working environment	9
7.4 Protection function.	10
7.5 Set humidity operation.	11
7.6 Continually dehumidify operation.....	11
8. Basic test procedure	11
8.1 Defective compressor	11
8.2 Sealed refrigeration system repairs.....	14
8.3 Fan motor.....	16
8.4 Capacitor.....	17
9. Characteristic of temperature sensor	18
10. Troubleshooting	18
11. Exploding view	21

■ 1. Precaution

■ 1.1 Safety Precaution

- To prevent injury to the user or other people and property damage, the following instructions must be followed.

- **Incorrect operation due to ignoring instruction will cause harm or damage.**

Before service unit, be sure to read this service manual at first.

■ 1.2 Warning

Installation

- **Do not use a defective or underrated circuit breaker. Use this appliance on a dedicated circuit.**

There is risk of fire or electric shock.

- **For electrical work, contact the dealer, seller, a qualified electrician, or an Authorized service center.**

Do not disassemble or repair the product, there is risk of fire or electric shock.

- **Always ground the product.**

There is risk of fire or electric shock.

- **Install the panel and the cover of control box securely.**

There is risk of fire or electric shock.

- **Always install a dedicated circuit and breaker.**

Improper wiring or installation may cause fire or electric shock.

- **Use the correctly rated breaker or fuse.**

There is risk of fire or electric shock.

- **Do not modify or extend the power cable.**

There is risk of fire or electric shock.

- **Do not install, remove, or reinstall the unit by yourself (customer).**

There is risk of fire, electric shock, explosion, or injury.

- **Be caution when unpacking and installing the product.**

Sharp edges could cause injury, be especially careful of the case edges and the fins on the condenser and evaporator.

- **For installation, always contact the dealer or an Authorized service center.**

There is risk of fire, electric shock, explosion, or injury.

- **Do not install the product on a defective installation stand.**

It may cause injury, accident, or damage to the product.

- **Be sure the installation area does not deteriorate with age.**

If the base collapses, the air conditioner could fall with it, causing property damage, product failure, and personal injury.

- **Do not let the air conditioner run for a long time when the humidity is very high and a door or a window is left open.**

Moisture may condense and wet or damage furniture.

- **Take care to ensure that power cable could not be pulled out or damaged during operation.**

There is risk of fire or electric shock.

- **Do not place anything on the power cable.**

There is risk of fire or electric shock.

- **Do not plug or unplug the power supply plug during operation.**

There is risk of fire or electric shock.

- **Do not touch (operation) the product with wet hands.**

There is risk of fire or electric shock.

- **Do not place a heater or other appliance near the power cable.**

There is risk of fire and electric shock.

- **Do not allow water to run into electric parts.**

It may cause fire, failure of the product, or electric shock.

- **Do not store or use flammable gas or combustible near the product.**

There is risk of fire or failure of product.

- **Do not use the product in a tightly closed space for a long time.**

Oxygen deficiency could occur.

- **When flammable gas leaks, turn off the gas and open a window for ventilation before turn the product on.**

Do not use the telephone or turn switches on or off. There is risk of explosion or fire.

- **If strange sounds, or small or smoke comes from product. Turn the breaker off or disconnect the power supply cable.**

There is risk of electric shock or fire.

- **Stop operation and close the window in storm or hurricane. If possible, remove the product from the window before the hurricane arrives.**

There is risk of property damage, failure of product, or electric shock.

- **Do not open the inlet grill of the product during operation. (Do not touch the electrostatic filter, if the unit is so equipped.)**

There is risk of physical injury, electric shock, or product failure.

- **When the product is soaked (flooded or submerged), contact an Authorized service center.**

There is risk of fire or electric shock.

- **Be caution that water could not enter the product.**

There is risk of fire, electric shock, or product damage.

- **Ventilate the product from time to time when operating it together with a stove, etc.**

There is risk of fire or electric shock.

- **Turn the main power off when cleaning or maintaining the product.**

There is risk of electric shock.

- **When the product is not be used for a long time, disconnect the power supply plug or turn off the breaker.**

There is risk of product damage or failure, or unintended operation.

- **Take care to ensure that nobody could step on or fall onto the outdoor unit.**

This could result in personal injury and product damage.

CAUTION

- **Always check for gas (refrigerant) leakage after installation or repair of product.**

Low refrigerant levels may cause failure of product.

- **Install the drain hose to ensure that water is drained away properly.**

A bad connection may cause water leakage.

- **Keep level even when installing the product.**

To avoid vibration of water leakage

- **Do not install the product where the noise or hot air from the outdoor unit could damage the neighborhoods.**

It may cause a problem for your neighbors.

- **Use two or more people to lift and transport the product.**

Avoid personal injury.

- **Do not install the product where it will be exposed to sea wind (salt spray) directly.**

It may cause corrosion on the product. Corrosion, particularly on the condenser and evaporator fins, could cause product malfunction or inefficient operation.

Operational

- **Do not expose the skin directly to cool air for long periods of time. (Do not sit in the draft).**

This could harm to your health.

- **Do not use the product for special purposes, such as preserving foods, works of art, etc. It is a**

consumer air conditioner, not a precision refrigerant system

There is risk of damage or loss of property.

- **Do not block the inlet or outlet of air flow.**

It may cause product failure.

- **Use a soft cloth to clean. Do not use harsh detergents, solvents, etc.**

There is risk of fire, electric shock, or damage to the plastic parts of the product.

- **Do not touch the metal parts of the product when removing the air filter. They are very sharp.**

There is risk of personal injury.

- **Do not step on or put anything on the product. (outdoor units)**

There is risk of personal injury and failure of product.

- **Always insert the filter securely. Clean the filter every two weeks or more often if necessary.**

A dirty filter reduces the efficiency of the air conditioner and could cause product malfunction or damage.

- **Do not insert hands or other object through air inlet or outlet while the product is operated.**

There are sharp and moving parts that could cause personal injury.

- **Do not drink the water drained from the product.**

It is not sanitary could cause serious health issues.

- **Use a firm stool or ladder when cleaning or maintaining the product.**

Be careful and avoid personal injury.

- **Replace the all batteries in the remote control with new ones of the same type. Do not mix old and new batteries or different types of batteries.**

There is risk of fire or explosion.

- **Do not recharge or disassemble the batteries. Do not dispose of batteries in a fire.**

They may burn or explode.

- **If the liquid from the batteries gets onto your skin or clothes, wash it well with clean water. Do not use the remote if the batteries have leaked.**

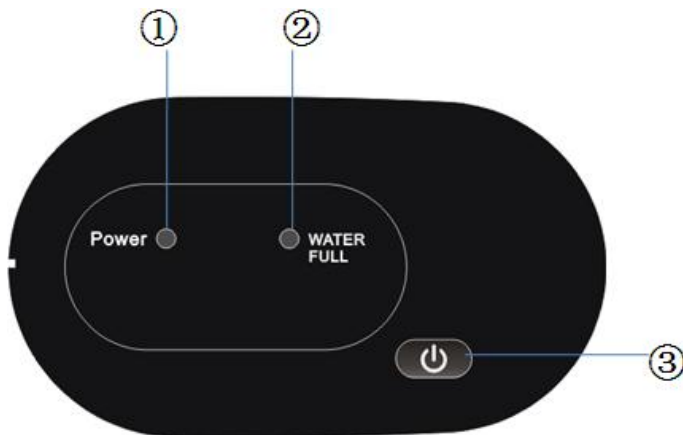
The chemical in batteries could cause burns or other health hazards.

■ 2. Display

EU-CF0.3BD/N3-T1(A3)(MDT1-08DMN3-QA3)

EU-CF0.4BD/N3-T1(A3)(MDT1-10DMN3-QA3)

EU-CF0.8BD/N3-T1(A3)(MDT1-20DMN3-QA3)

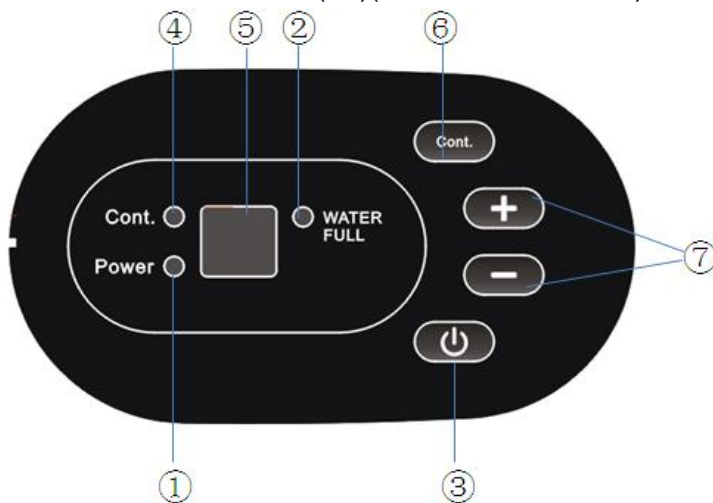


EU-CFZ0.3BD/N3-T1(A3)(MDT1-08DEN3-QA3)

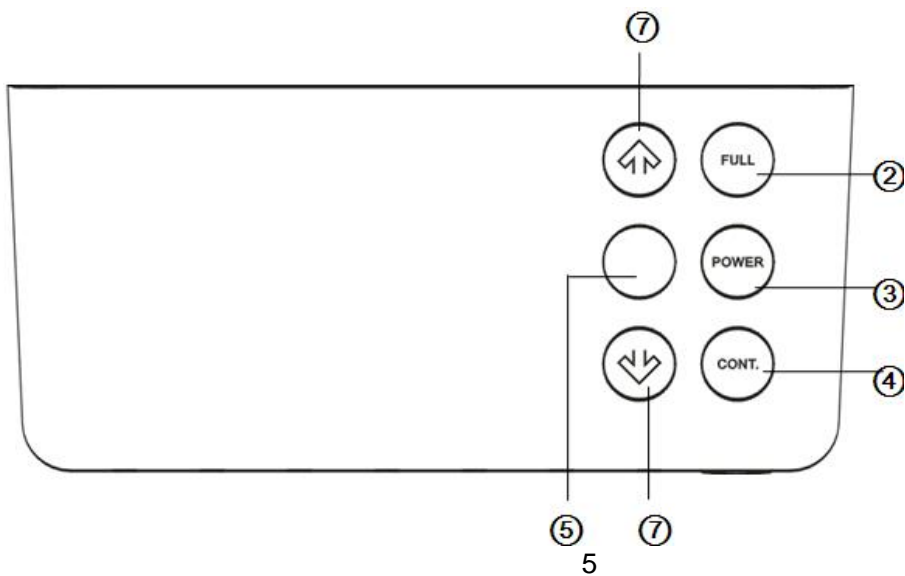
EU-CFZ0.4BD/N3-T1(A3)(MDT1-10DEN3-QA3)

EU-CFZ0.6BD/N3-T1(A3)(MDT1-16DEN3-QA3)

EU-CFZ0.8BD/N3-T1(A3)(MDT1-20DEN3-QA3)



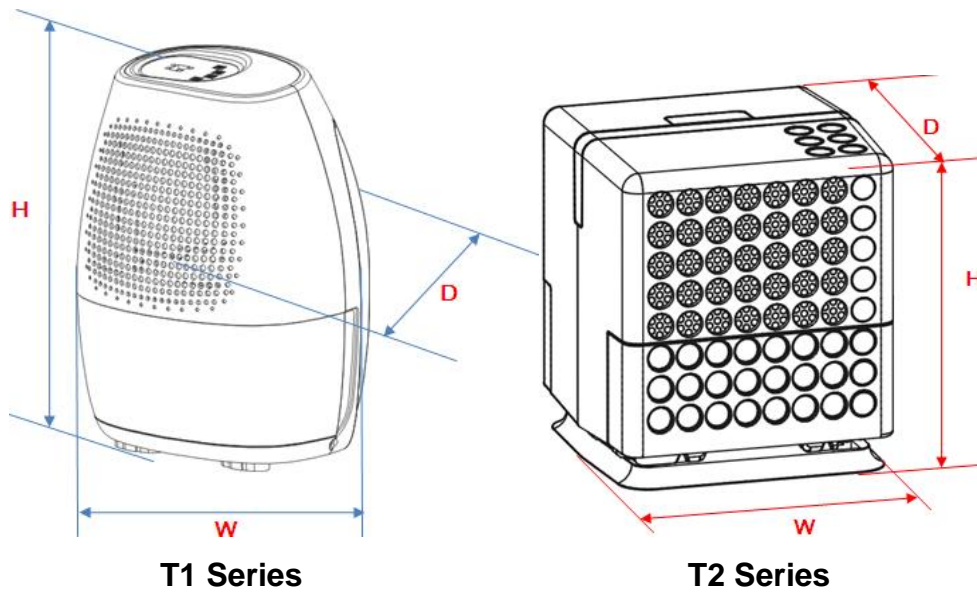
EU-CFZ0.4BD/N3-T2(A3) (MDT2-10DEN3)



Description:

- Power on indicator light(green)
- Bucket full indicator light(red)
- Power Pad
- Continuous operation on indicator light(green)
- Display
- Continue pad
- Humidity set control pads

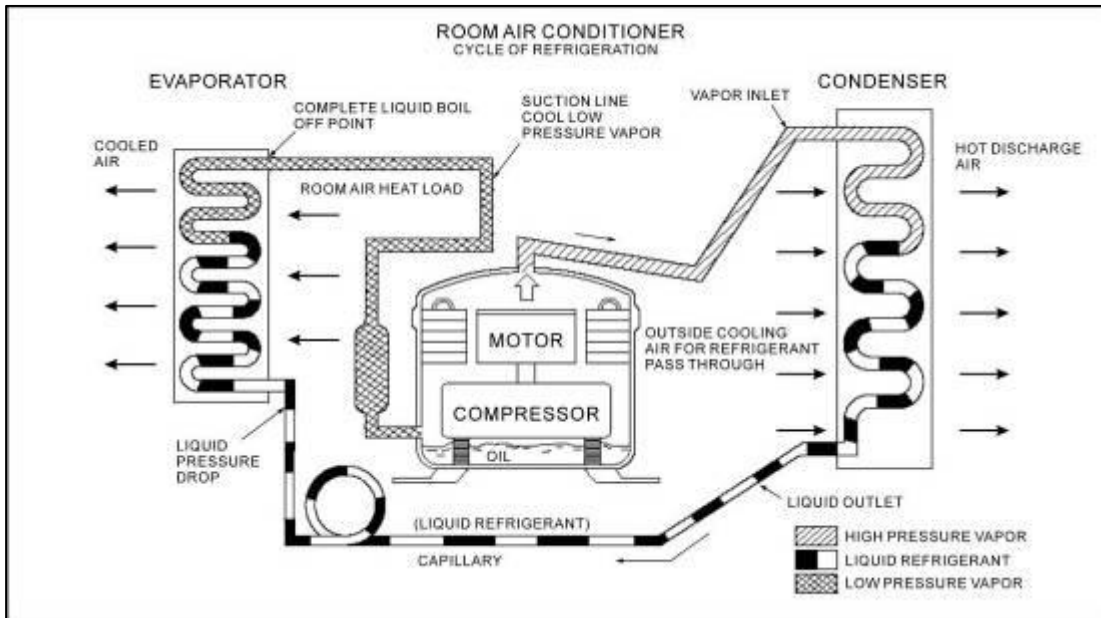
■ **3. Dimension**



Dimension Mode	W(mm)	H(mm)	D(mm)
T1: 8L,10L	350	452	275
T1: 16L,20L	397	502	297
T2: 10L	350	395	350

■ **4. Refrigerant Cycle Diagram**

The figure below is a brief description of the important components and their function in what is called the refrigeration system.



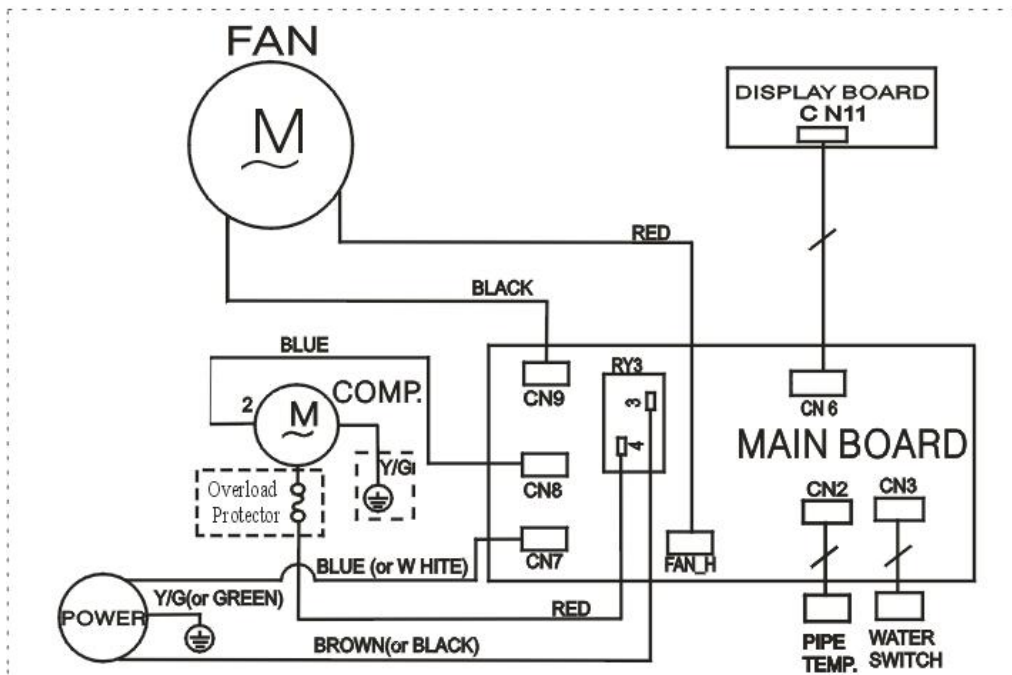
■ 5. Wiring Diagram

(1)EU-CF0.3BD/N3-T1 (A3) (MDT1-08DMN3-QA3)

EU-CF0.4BD/N3-T1 (A3) (MDT1-10DMN3-QA3)

EU-CF0.6BD/N3-T1 (A3) (MDT1-16DMN3-QA3)

EU-CF0.8BD/N3-T1 (A3) (MDT1-20DMN3-QA3)

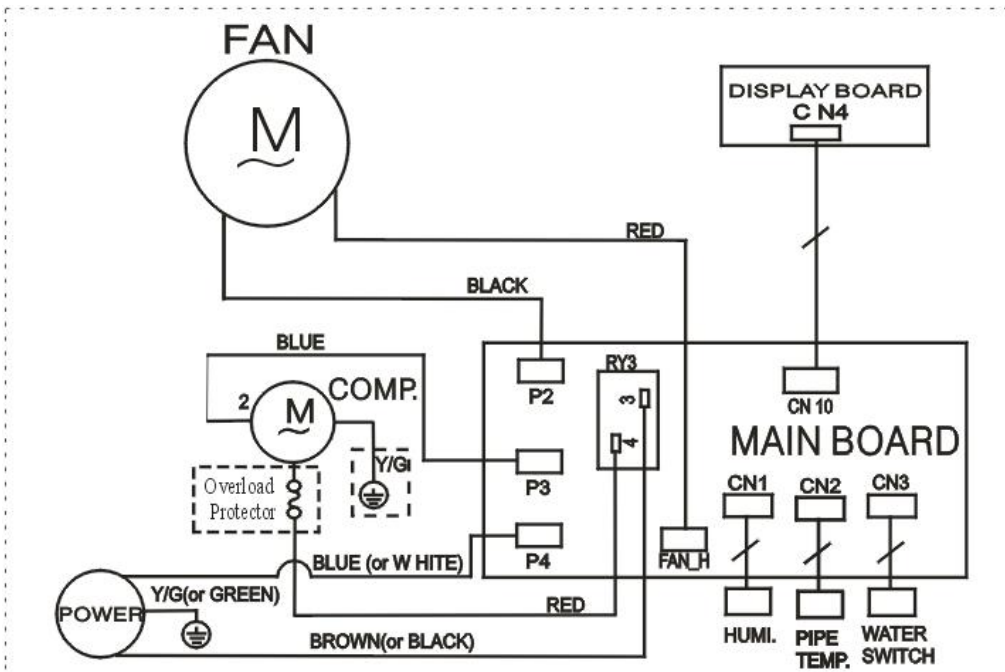


(2)EU-CFK0.3BD/N3-T1 (A3) (MDT1-08DKN3-QA3)

EU-CFK0.4BD/N3-T1 (A3) (MDT1-10DKN3-QA3)

EU-CFK0.6BD/N3-T1 (A3) (MDT1-16DKN3-QA3)

EU-CFK0.8BD/N3-T1 (A3) (MDT1-20DKN3-QA3)



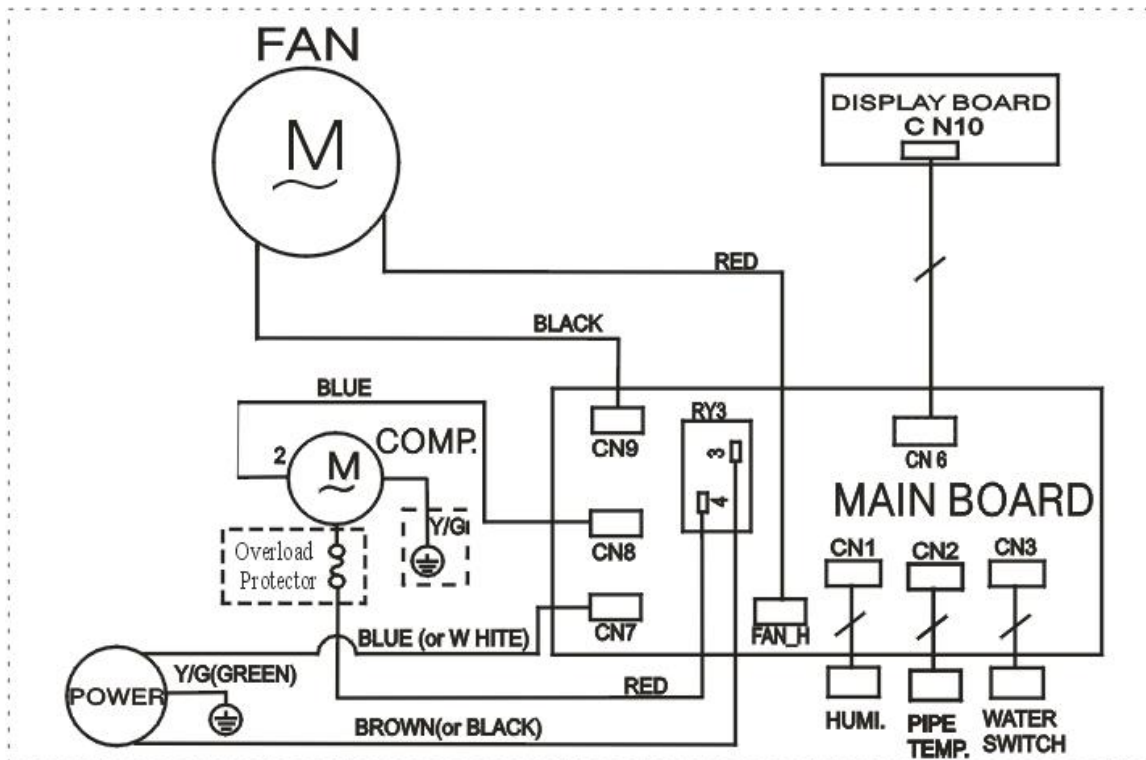
(3) EU-CFZ0.3BD/N3-T1 (A3) (MDT1-08DEN3-QA3)

EU-CFZ0.4BD/N3-T1 (A3) (MDT1-10DEN3-QA3)

EU-CFZ0.6BD/N3-T1 (A3) (MDT1-16DEN3-QA3)

EU-CFZ0.8BD/N3-T1 (A3) (MDT1-20DEN3-QA3)

EU-CFZ0.4BD/N3-T2 (A3) (MDT2-10DEN3)



■ 6. Features

※LED display

※Auto Shut off

※Continuous dehumidification mode

※1.5L or 2.7L water bucket and water full protection

※Auto defrost, Anti-freezing control

※Turbo key function and normal key function(Optional)

※Self-diagnosis and auto-protection function.

※Wait 3 minutes before resuming operation

※Auto-restart, When the power supply is interrupted and then restore, the unit automatically restore the previous function setting.

■ 7 .Electronic function

■ 7.1 Terms and definitions

TE: Temperature of evaporator.

TH: Humidity of ambient.

TS: The set humidity.

S1: Switch 1

■ 7.2 Electric part assembly condition that use

(1).Scope of application of voltage of the power: 220-240VAC, 50Hz, 1phase;

(2).Working environment: 5'C~+35'C;

(3).The humidity of electric part working environment:≤RH95%;

(4).The electric storage working temperature:-20'C~+70'C.

■ 7.3 PCB working environment

(1).Tolerance of measure indoor side humidity: ±5%RH, the scope of application: 35%RH~80%RH;

(2).Tolerance of measure evaporator temperature: ±1'C, the scope of application: 5'C~+35'C;

(3).EMC, EMI accord with CE authentication demand;

(4).The electric apparatus accords with CE, GB4706.32-1996, GB/T7725-1996 demand safely.

■ 7.4 Protection function

(1).Time delay safety control (3 minutes).

When the compressor is stopped in operation, it needs 3 minutes delay to restart.

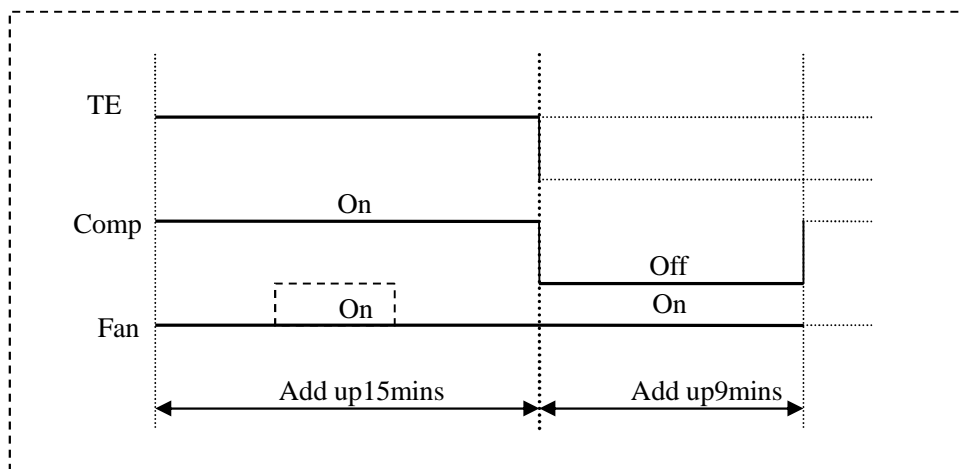
When the setting humidity is reached in operation, the compressor will stop, and it will not start again within 3 minutes.

If the auto-restart is available, the compressor also needs 3 minutes delay to start.

(2).Anti-freezing protect control (P1)

If the temperature of the evaporator falls below 1°C for 15minutes or more, the compressor turn off to protect the evaporator from freezing. Compressor will restart again after 9 minutes.

See the below graph:



(3).Water full protection

There is one switch on the top of water tank, S1.

(a)At running status, if the water level of water exceeds the safety water level and the S1 closed, the unit will protect by itself. It will shut-down all of load and back to work provided the water tank is empty by manual.

(b)At wake status, if the water level of water exceeds the safety water level and the S1 closed, the unit will protect by itself. It will back to work provided the water is empty by manual.

Note: If it has P2 protect, the unit will under lock status, the button of control plane could not operated, until the P2 protect have been delete.

(4).Sensor malfunction

If the A/D of sensor is not at the range of 0.05~4.95V, the sensor is broken. If the TH sensor has this malfunction, the display will show E1, if it is TC, the display will show E2.

LCD or LED display	Stand for
E1	TH sensor malfunction
E2	TC sensor malfunction
P1	Unit is defrosting
P2	Water full protection

(5).Malfunction display

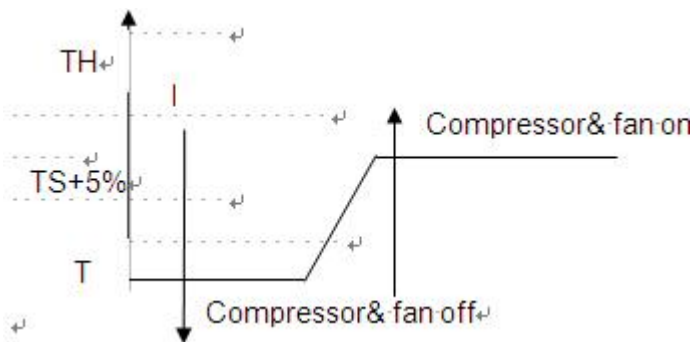
When the malfunction happened at the same time, the priority is $P1 > T2 > T1$

■ 7.5 Set humidity operation

(1).In this operation, the range of work is 35%RH-85%RH.

(2).The fan keeps the same speed as last mode.

(3).The action of compressor in this operation is like the below graph show:



■ 7.6 Continually dehumidify operation

In this operation, the compressor and fan will be working continually unless there is a water full protection or sensor fault protection. The Setting humidity operation is unapplied.

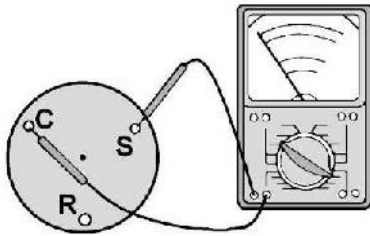
■ 8 Basic test procedure

■ 8.1 Defective compressor

Compressors are single phase, 220-240volt, depending on the model unit. All compressor motors are permanent split capacitor type using only a running capacitor across the start and run terminal.

All compressors are internally spring mounted and externally mounted on rubber isolators.

8.1.1 Compressor wiring test



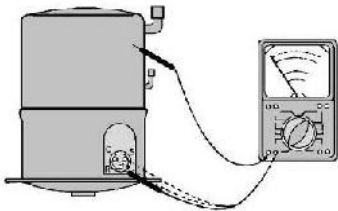
Remove compressor terminal box cover and disconnect wires from terminals. Using an ohmmeter, check continuity across the following:

- Terminal "C" and "S" - no continuity
- Open winding - replace compressor.
- Terminal "C" and "R" - no continuity
- Open winding - replace compressor.
- Terminal "R" and "S" - no continuity
- Open winding - replace compressor.

8.1.2 Ground test

Use an ohmmeter to set on its highest scale. Touch one lead to the compressor body (clean point of contact as a good connection is a must) and the other probe in turn to each compressor terminal.

If a reading is obtained, the compressor is grounded and must be replaced.



8.1.3 Checking the compressor efficiency

The reason for compressor inefficiency is normally due to broken or damaged suction and/or discharge valves, reducing the ability of the compressor to pump refrigerant gas.

This condition can be checked as follows:

1. Install a piercing valve on the suction and discharge or liquid process tube.
2. Attach gauges to the high and low sides of the system.
3. Start the system and run a "cooling or heating performance test."

If test shows:

- A. Below normal high side pressure.
- B. Above normal low side pressure.

C. Low temperature difference across coil.

The compressor valves are faulty - replace the compressor

8.1.4 Terminal overload (external)

Some compressors are equipped with an external overload which is located in the compressor terminal box adjacent to the compressor body .The overload is wired in series with the common motor terminal. The overload senses both major amperage and compressor temperature. High motor temperature or amperage heats the disc causing it to open and break the circuit to the common motor terminal.

Heat generated within the compressor shell is usually due to:

1. High amperage.
2. Low refrigerant charge.
3. Frequent recycling.
4. Dirty condenser.

8.1.5 Terminal overload – Test (compressor external type)

1. Remove overload.
2. Allow time for overload to reset before attempting to test.
3. Apply ohmmeter probes to terminals on overload wires. There should be continuity through the overload.

8.1.6 Terminal overload (internal)

Some model compressors are equipped with an internal overload. The overload is embedded in the motor windings to sense the winding temperature and/or current draw. The overload is connected in series with the common motor terminal.

Should the internal temperature and/or current draw become excessive; the contacts in the overload will open, turning off the compressor? The overload will automatically reset, but may require several hours before the heat is dissipated.

8.1.7 Checking the internal overload

1. No power to unit, remove the leads from the compressor terminals.
2. Using an ohmmeter, test continuity between terminals C-S and C-R. If not continuous, the compressor overload is open and the compressor must be replaced.

■ 8.2 Sealed refrigeration system repairs

8.2.1 Equipment require

1. Voltmeter
2. Ammeter
3. Ohmmeter
4. E.P.A. Approved Refrigerant Recovery System.
5. Vacuum Pump (capable of 200 microns or less vacuum.)
6. Acetylene Welder
7. Electronic Halogen Leak Detector (G.E. Type H-6 or equivalent.)
8. Accurate refrigerant charge measuring device such as:
 - a. Balance Scales - 1/2 oz. accuracy
 - b. Charging Board - 1/2 oz. accuracy
9. High Pressure Gauge - (0 - 400 lbs.)
10. Low Pressure Gauge - (30 - 150 lbs.)
11. Vacuum Gauge - (0 - 1000 microns)

8.2.2 Equipment must be capable of:

1. Recovery CFC's as low as 5%.
2. Evacuation from both the high side and low side of the system simultaneously.
3. Introducing refrigerant charge into high side of the system.
4. Accurately weighing the refrigerant charge actually introduced into the system.
5. Facilities for flowing nitrogen through refrigeration tubing during all brazing processes.

8.2.3 Hermetic compressor replacement.

The following procedure applies when replacing components in the sealed refrigeration circuit or repairing refrigerant leaks. (Include Compressor, condenser, evaporator, capillary tube, refrigerant leaks, etc.)

1. Recover the refrigerant from the system at the process tube located on the high side of the system by installing a line tap on the process tube. Apply gauge from process tube to EPA approved gauges from process tube to EPA approved recovery system. Recover CFCs in system to at least 5%.
2. Cut the process tube below pinch off on the suction side of the compressor.
3. Connect the line from the nitrogen tank to the suction process tube.

4. Drift dry nitrogen through the system and unsolder the more distant connection first.
(Filter drier, high side process tube, etc.)
5. Replace inoperative component, and always install a new filter drier. Drift dry nitrogen through the system when making these connections.
6. Pressurize system to 30 PSIG with proper refrigerant and boost refrigerant pressure to 150 PSIG with dry nitrogen.
7. Leak test complete system with electric halogen leak detector, correcting any leaks found.
8. Reduce the system to zero gauge pressure.
9. Connect vacuum pump to high side and low side of system with deep vacuum hose or copper tubing. (Do not use regular hoses.)
10. Evacuate system to maximum absolute holding pressure of 200 microns or less. NOTE: This process can be speeded up by use of heat lamps, or by breaking the vacuum with refrigerant or dry nitrogen at 5,000 microns. Pressure system to 5 PSIG and leave in system a minimum of 10 minutes. Recover refrigerant, and proceed with evacuation of a pressure of 200 microns or a minimum of 10%.
11. Break vacuum by charging system from the high side with the correct amount of refrigerant specified. This will prevent boiling the oil out of the crankcase.
NOTE: If the entire charge will not enter the high side, allow the remainder to enter the low side in small increments while operating the unit.
12. Restart unit several times after allowing pressures to stabilize. Pinch off process tubes, cut and solder the ends. Remove pinch off tool, and leak check the process tube ends

8.2.4 Special procedure in the case of compressor motor burnout

1. Recover all refrigerant and oil from the system.
2. Remove compressor, capillary tube and filter drier from the system.
3. Flush evaporator condenser and all connecting tubing with dry nitrogen or equivalent, to remove all contamination from system. Inspect suction and discharge line for carbon deposits. Remove and clean if necessary.
4. Reassemble the system, including new drier strainer and capillary tube.
5. Proceed with processing as outlined under hermetic component replacement.

8.2.5 Rotary compressor special troubleshooting and service

Basically, troubleshooting and servicing rotary compressors is the same as on the reciprocating compressor with only a few exceptions.

1. Because of the spinning motion of the rotary, the mounts are critical. If vibration is present, check the mounts carefully.
2. The electrical terminals on the rotary are in a different order than the reciprocating compressors. The terminal markings are on the cover gasket. Use your wiring diagram to insure correct connections.

8.2.6 Refrigerant charge

1. The refrigerant charge is extremely critical. It must be measured charge carefully - as exact as possible to the nameplate charge.
2. The correct method for charging the rotary is to introduce liquid refrigerant into the high side of the system with the unit off. Then start compressor and enter the balance of the charge, gas only, into the low side.

The introduction of liquid into the low side, without the use of a capillary tube, will cause damage to the discharge valve of the rotary compressor.

NOTE: All inoperative compressors returned to Friedrich must have all lines properly plugged with the plugs from the replacement compressor.

■ 8.3 Fan motor

A single phase permanent split capacitor motor is used to drive the evaporator blower and condenser fan. A self-resetting overload is located inside the motor to protect against high temperature and high amperage conditions.

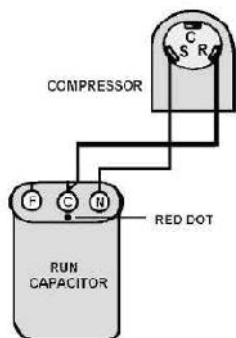
Fan motor test

1. Determine that capacitor is serviceable.
2. Disconnect fan motor wires from fan speed switch or system switch.
3. Apply "live" test cord probes on black wire and common terminal of capacitor. Motor should run at high speed.
4. Apply "live" test cord probes on red wire and common terminal of capacitor. Motor should run at low speed.
5. Apply "live" test cord probes on each of the remaining wires from the speed switch or system switch to test intermediate speeds.

■ 8.4 Capacitor

A run capacitor is wired across the auxiliary and main winding of a single phase permanent split capacitor motor such as the compressor. A single capacitor can be used for each motor or a dual rated capacitor can be used for both.

The capacitor's primary function is to reduce the line current while greatly improving the torque characteristics of a motor. The capacitor also reduces the line current to the motor by improving the power factor of the load. Run capacitor hook-up line side of the capacitor is marked with a red dot and is wired to the line side of the circuit



Capacitor test:

1. Remove capacitor from unit.
2. Check for visual damage such as bulges, cracks, or leaks
3. For dual rated, apply an ohmmeter lead to common (C) terminal and the other probe to the compressor (HERM) terminal. A satisfactory capacitor will cause a deflection on the pointer, and then gradually move back to infinity.
4. Reverse the leads of the probe and momentarily touch the capacitor terminals. The deflection of the pointer should be two times that of the first check if the capacitor is good.
5. Repeat steps 3 and 4 to check fan motor capacitor.

NOTE: A shorted capacitor will indicate a low resistance and the pointer will move to the "0" end of the scale and remain there as long as the probes are connected.

An open capacitor will show no movement of the pointer when placed across the terminals of the capacitor

■ 9 Characteristic of temperature sensor

Temp. °C	Resistance KΩ	Temp. °C	Resistance KΩ	Temp. °C	Resistance KΩ
-10	62.2756	17	14.6181	44	4.3874
-9	58.7079	18	13.918	45	4.2126
-8	56.3694	19	13.2631	46	4.0459
-7	52.2438	20	12.6431	47	3.8867
-6	49.3161	21	12.0561	48	3.7348
-5	46.5725	22	11.5	49	3.5896
-4	44	23	10.9731	50	3.451
-3	41.5878	24	10.4736	51	3.3185
-2	39.8239	25	10	52	3.1918
-1	37.1988	26	9.5507	53	3.0707
0	35.2024	27	9.1245	54	2.959
1	33.3269	28	8.7198	55	2.8442
2	31.5635	29	8.3357	56	2.7382
3	29.9058	30	7.9708	57	2.6368
4	28.3459	31	7.6241	58	2.5397
5	26.8778	32	7.2946	59	2.4468
6	25.4954	33	6.9814	60	2.3577
7	24.1932	34	6.6835	61	2.2725
8	22.5662	35	6.4002	62	2.1907
9	21.8094	36	6.1306	63	2.1124
10	20.7184	37	5.8736	64	2.0373
11	19.6891	38	5.6296	65	1.9653
12	18.7177	39	5.3969	66	1.8963
13	17.8005	40	5.1752	67	1.83
14	16.9341	41	4.9639	68	1.7665
15	16.1156	42	4.7625	69	1.7055

■ 10 Troubleshooting

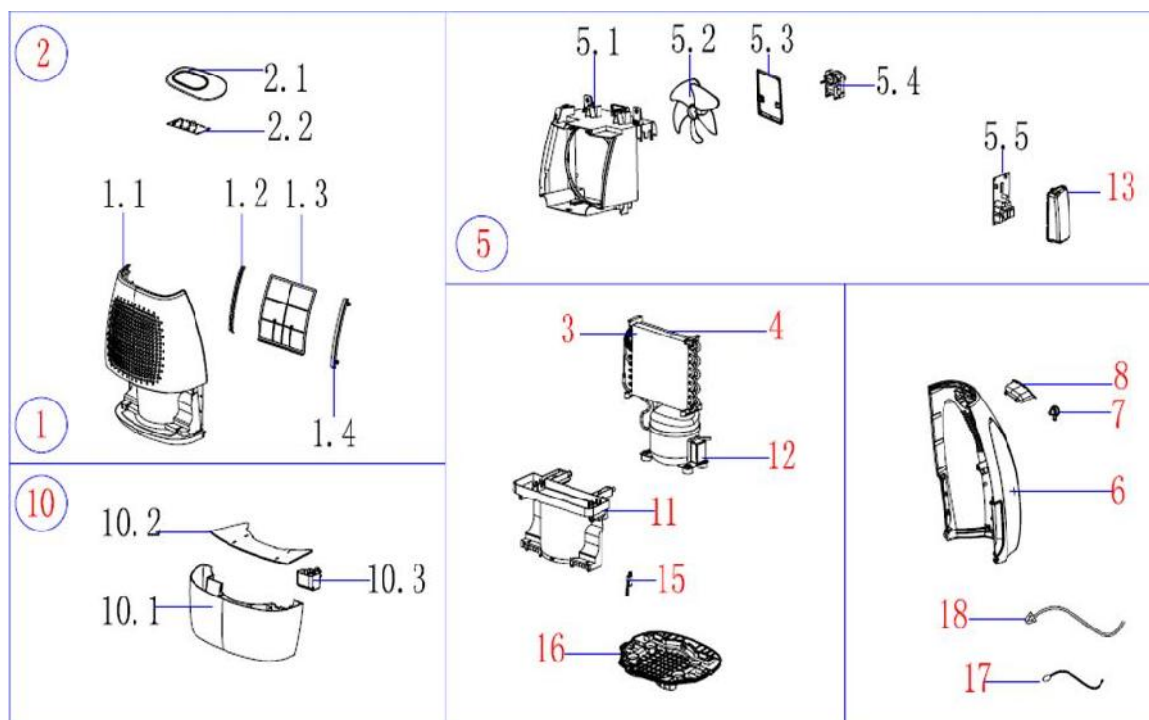
In general, possible trouble is classified in three kinds. One is called **Starting Failure** which is caused from an electrical defect, another is ineffective **Air Conditioning** caused by a defect in the refrigeration circuit and improper application, and the other is called the **Structure Damage**.

PROBLEM	POSSIBLE CAUSE	REMEDY
No power display on panel or any one of the buttons failure.	Power failure	Check the power supplier if the power supplier is supplied to the unit. Check the power cord and correct if damaged.
	Transformer (Discharge transformer before testing)	Check resistance between the two input/output lines on transformer. Replace the transformer if either of the input/output is open or the transformer is damaged.
	Display board or main PCB failure	Check the voltage on display board. Replace the display board if it is +5V else replace the main PCB.
Fan motor runs intermittently	Cycles on overload.	Check voltage. Call an electrician if not within limits.
		Test capacitor. Replace if not within +/-10% of manufacture's rating.
		Check bearings. Replace the motor if the blower wheel cannot rotate freely.
		Pay attention to any change from high speed to low speed. Replace the motor if the speed does not change.
Compressor stops instantly after startup.	Refrigerant	The amount of the refrigerant is too much, making the compressor load too big. Recycle and recharge the refrigerant after checking for the reason.
	Compressor	The compressor is blocked inside. Replace after checking for the reason.
Fan motor will not run.	No power	Check voltage at electrical outlet. Correct if none.
	Water alarm	Check and correct if water alarm happens.
	Power supply cord	Check voltage at the power cord terminal on Main PCB. Replace the power cord if none.
	Transformer (Discharge transformer before testing)	Check resistance between the two input/output lines on transformer. Replace the transformer if either of the input/output is open or the transformer is damaged.
	Wire disconnected or connection loose	Connect wire. Refer to wiring diagram for terminal identification. Repair or replace loose terminal.
	Main PCB failure	Select fan speed and Check the voltage on main PCB. Replace the main PCB if no voltage in anyone.
	Capacitor (Discharge capacitor before testing)	Test capacitor. Replace if not within +/-10% of manufacture's rating. Replace if shorted, open or damaged.
	Fan motor noise.	Fan blower
Loose screws		Tighten them.
Worn bearings		Replace the motor if knocking sounds continue when running or loose, or the motor hums or noise appears to be internal while running.

PROBLEM	POSSIBLE CAUSE	REMEDY
Compressor will not run while fan motor runs.	Voltage	Check voltage. Call Supply Authority if not within limits.
	Wiring	Check the wire connections, if loose, repair or replace the terminal. If wires are off, refer to wiring diagram for identification, and replace. Check wire locations. If not per wiring diagram, correct.
	Main PCB failure	Check voltage of main PCB. Replace the main PCB if open.
	Capacitor (Discharge capacitor before testing)	Check the capacitor. Replace if not within +/-10% of manufacturers rating. Replace if shorted, open, or damaged.
	Room temp sensor	Check the temperature setting if not at the coolest (in cooling mode) or the warmest (in heating mode). Set it if not.
	Compressor	Check the compressor for open circuit or ground. If open or grounded, replace the compressor.
Excessive noise.	Copper tubing	Remove the cabinet and carefully rearrange tubing not to contact cabinet, compressor, shroud and barrier.
Water full alarm	Water tank full	Check and pour if the water tank is full.
	Water depth sensor if failure	Check and replace if failure.
	Water depth is over load in chassis	Check and drainage the water in the chassis by open the drainage hose on the chassis.
	Water depth sensing structure	Check and replace or realign if the structure is failure.
Dehumidifier does not dry the air as it should	Air filter	Clean or replace if restricted.
	Set humidity	The humidity control may not be set low enough
	Unit undersized	Determine if the unit is properly sized for the area
	Condenser and Evaporator	Clean or replace if restricted.
	Fan motor	Check the fan capacitor and replace if not within +/-10% of manufactures rating.
	Air flow	Clean or remove if any barrier is found to block the wind flow of the unit.
	Less refrigerant	Check the tubes for reasons of leakage. Recycle the refrigerant, correct the leakage points and recharge.
	Capillary tube	Regulate the flow if capillary tube and make the evaporating temperature appropriate if the evaporator is frosted. Replace if blocked. Repair joint if leaking.
	Compressor	The inlet and outlet valve of the compressor is damaged, making the low pressure connected with the high pressure. The refrigerating system can not produce high pressure and low pressure. Replace the compressor after checking for the reason.
	Mode setting	Check and adjust the mode setting.
	Compressor	Check and replace if the compressor, the over-load protector or wiring is broken.
	Frost appears on the coil	This is normal, the dehumidifier has Auto-defrost feature.

■ 11. Exploding view

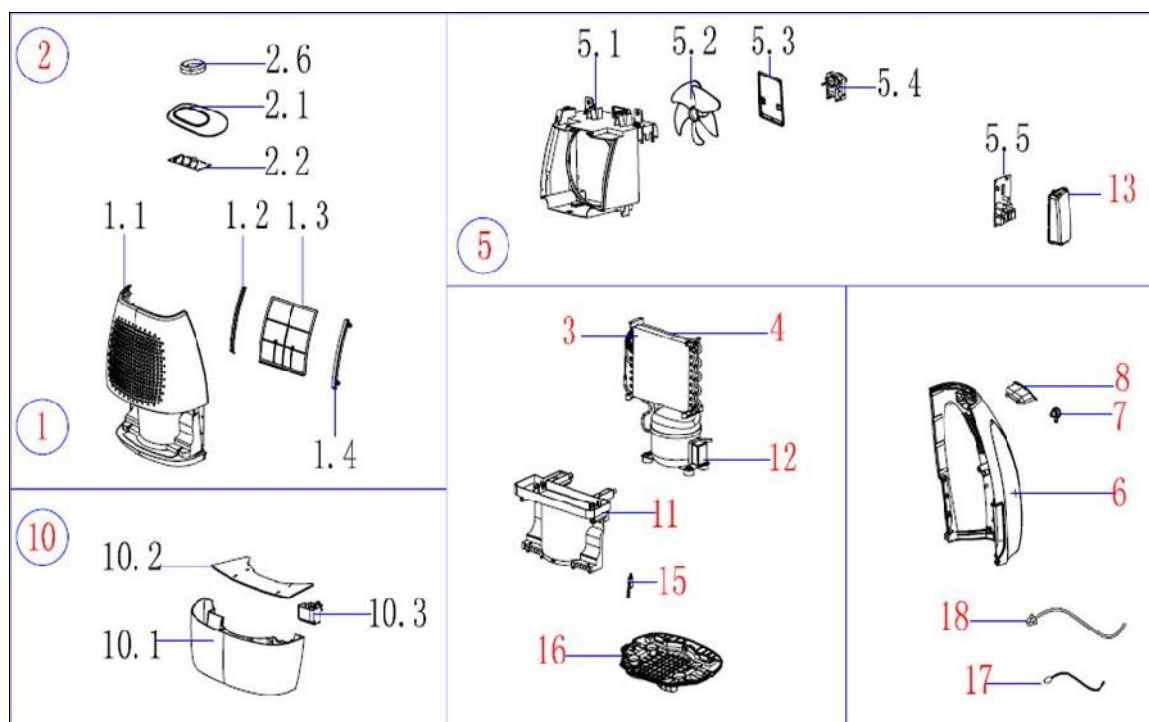
- (1). EU-CF0.3BD/N3-T1(A3)(MDT1-08DMN3-QA3)
 EU-CF0.3BD/N3-T1(A3)(MDT1-08DEN3-QA3)
 EU-CF0.4BD/N3-T1(A3)(MDT1-10DMN3-QA3)
 EU-CF0.4BD/N3-T1(A3)(MDT1-10DEN3-QA3)



Part list:

No.	Part Name	Qty	No.	Part Name	Qty
1	Front panel assembly	1	5.5	main control board assembly	1
1.1	Front panel	1	6	Rear panel	1
1.2	Filter guide I	1	7	Drain stopper	1
1.3	Filter	1	8	Handle	1
1.4	Filter guide II	1	10	Water tank assembly	1
2	Display box assembly	1	10.1	water tank	1
2.1	Control panel	1	10.2	cover for water tank	1
2.2	Display board assembly	1	10.3	Dobber	1
3	Evaporator	1	11	Water drain pan	1
4	Condenser	1	12	Compressor	1
5	Scroll assembly	1	13	E-part box cover	1
5.1	Scroll	1	15	Micro Switch	1
5.2	Propeller fan	1	16	Base pan assembly	1
5.3	Holder for shaded pole motor	1	17	Pipe Temperature Sensor assembly	1
5.4	Shaded pole motor	1	18	power cord assembly	1

(2). EU-CFK0.3BD/N3-T1(A3)(MDT1-08DKN3-QA3)
EU-CFK0.4BD/N3-T1(A3)(MDT1-10DKN3-QA3)

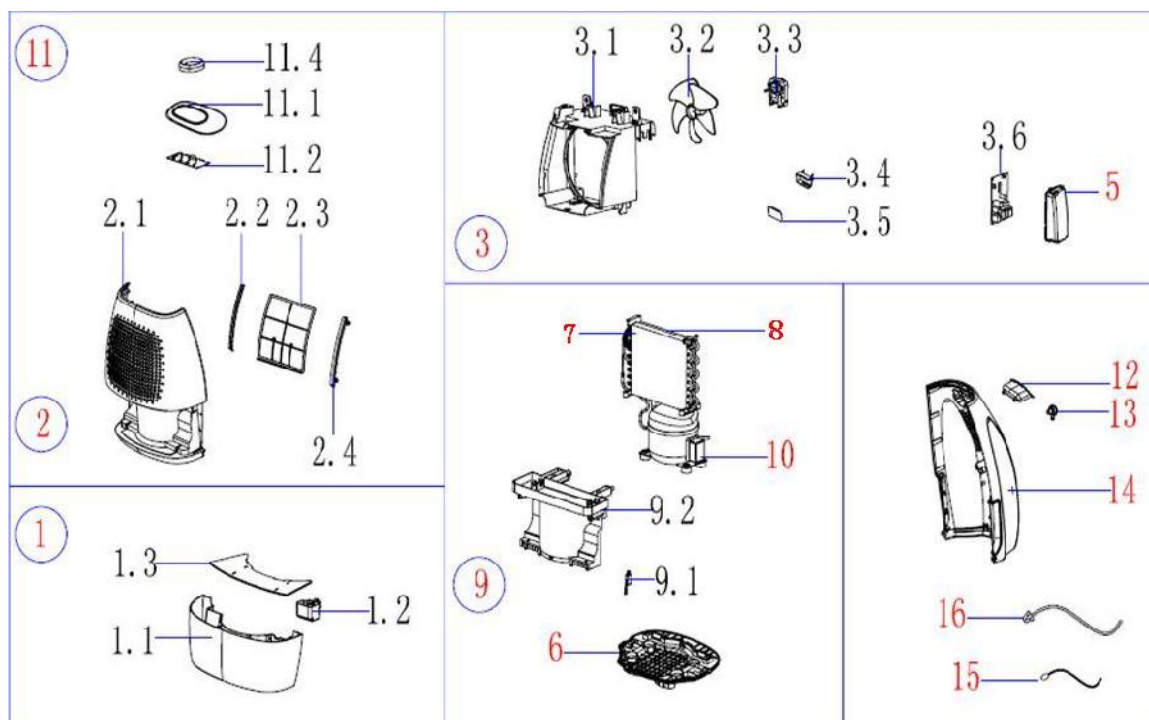


Part list:

No.	Part Name	Qty	No.	Part Name	Qty
1	Front panel assembly	1	5.5	main control board assembly	1
1.1	Front panel	1	6	Rear panel	1
1.2	Filter guide I	1	7	Drain stopper	1
1.3	Filter	1	8	Handle	1
1.4	Filter guide II	1	10	Water tank assembly	1
2	Display box assembly	1	10.1	water tank	1
2.1	Control panel	1	10.2	cover for water tank	1
2.2	Display board assembly	1	10.3	Dobber	1
2.6	knob	1	11	Water drain pan	1
3	Evaporator	1	12	Compressor	1
4	Condenser	1	13	E-part box cover	1
5	Scroll assembly	1	15	Micro Switch	1
5.1	Scroll	1	16	Base pan assembly	1
5.2	Propeller fan	1	17	Pipe Temperature Sensor assembly	1
5.3	Holder for shaded pole motor	1	18	power cord assembly	1
5.4	Shaded pole motor	1	/	/	/

(3). EU-CFK0.6BD/N3-T1(A3)(MDT1-16DKN3-QA3)

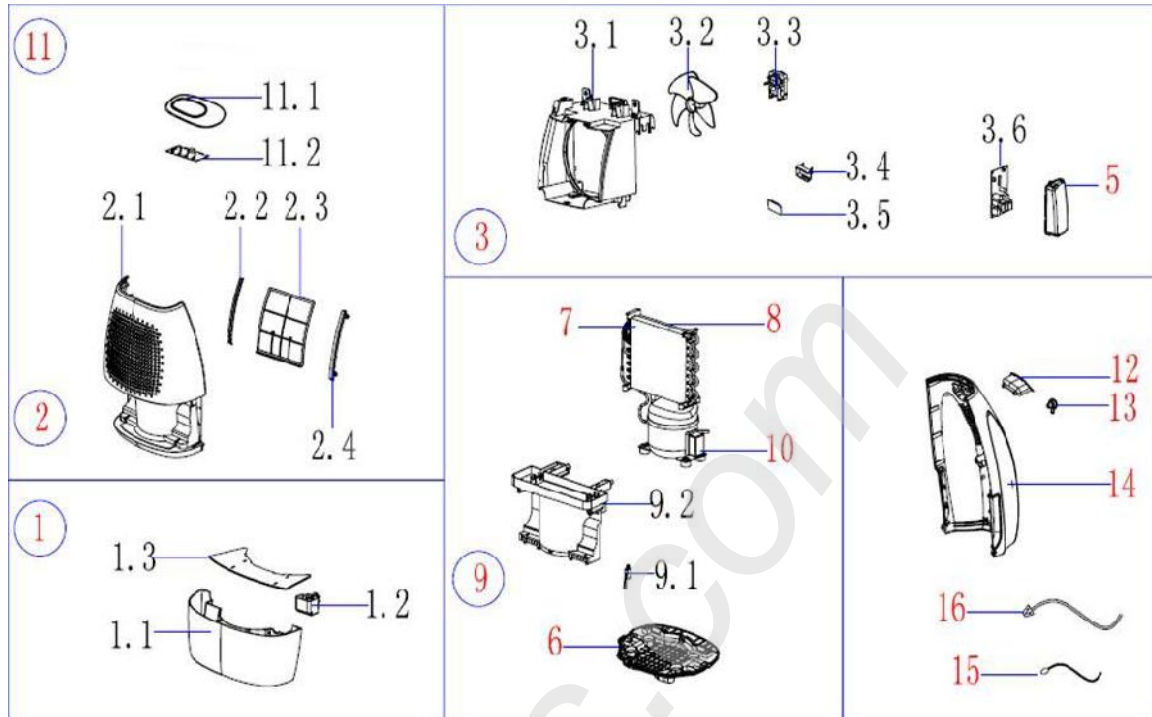
EU-CFK0.8BD/N3-T1(A3)(MDT1-20DKN3-QA3)



Part list:

No.	Part Name	Qty	No.	Part Name	Qty
1	water tank assembly	1	6	Chassis assembly	1
1.1	water tank assembly	1	7	Evaporator	1
1.2	Dobber	1	8	Condenser	1
1.3	Cover for water tank	1	9	Water collector assembly	1
2	Front panel assembly	1	9.1	Micro Switch	1
2.1	Front panel	1	9.2	Water drain pan	1
2.2	Filter guide I	1	10	Compressor	1
2.3	Filter	1	11	Display box assembly	1
2.4	Filter guide II	1	11.1	Control panel	1
3	Exhaust scroll assembly	1	11.2	Display board assembly	1
3.1	Exhaust scroll	1	11.4	Mechanical knob switch	1
3.2	Propeller fan	1	12	Handle	1
3.3	Shaded pole motor	1	13	Drain stopper	1
3.4	Installation box for Humidity sensor	1	14	Rear panel	1
3.5	Cover for Installation box .Humidity sensor	1	15	Pipe Temperature Sensor assembly	1
3.6	main control board assembly	1	16	power cord assembly	1
5	E-part box cover	1	/	/	/

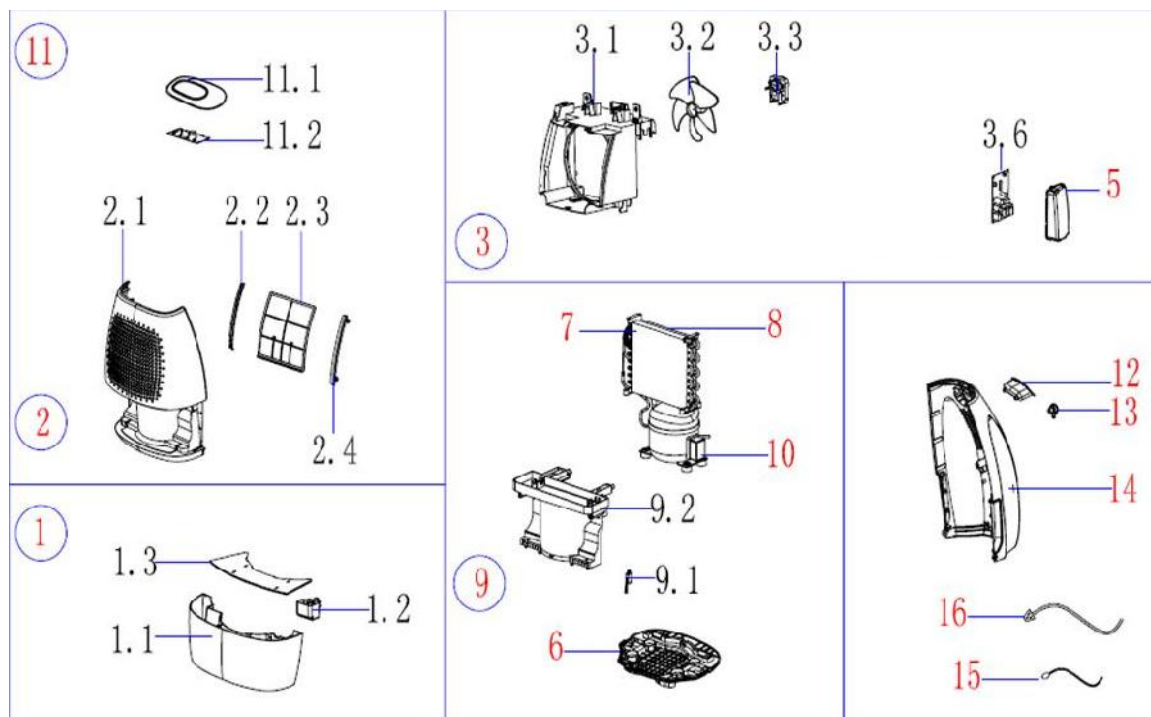
(4). EU-CFZ0.6BD/N3-T1(A3)(MDT1-16DEN3-QA3)
EU-CFZ0.8BD/N3-T1(A3)(MDT1-20DEN3-QA3)



Part list:

No.	Part Name	Qty	No.	Part Name	Qty
1	water tank assembly	1	5	E-part box cover	1
1.1	water tank assembly	1	6	Chassis assembly	1
1.2	Dobber	1	7	Evaporator	1
1.3	Cover for water tank	1	8	Condenser	1
2	Front panel assembly	1	9	Water collector assembly	1
2.1	Front panel	1	9.1	Micro Switch	1
2.2	Filter guide I	1	9.2	Water drain pan	1
2.3	Filter	1	10	Compressor	1
2.4	Filter guide II	1	11	Display box assembly	1
3	Exhaust scroll assembly	1	11.1	Control panel	1
3.1	Exhaust scroll	1	11.2	Display board assembly	1
3.2	Propeller fan	1	12	Handle	1
3.3	Shaded pole motor	1	13	Drain stopper	1
3.4	Installation box for Humidity sensor	1	14	Rear panel	1
3.5	Cover for Installation box. Humidity sensor	1	15	Pipe Temperature Sensor assembly	1
3.6	main control board assembly	1	16	power cord assembly	1

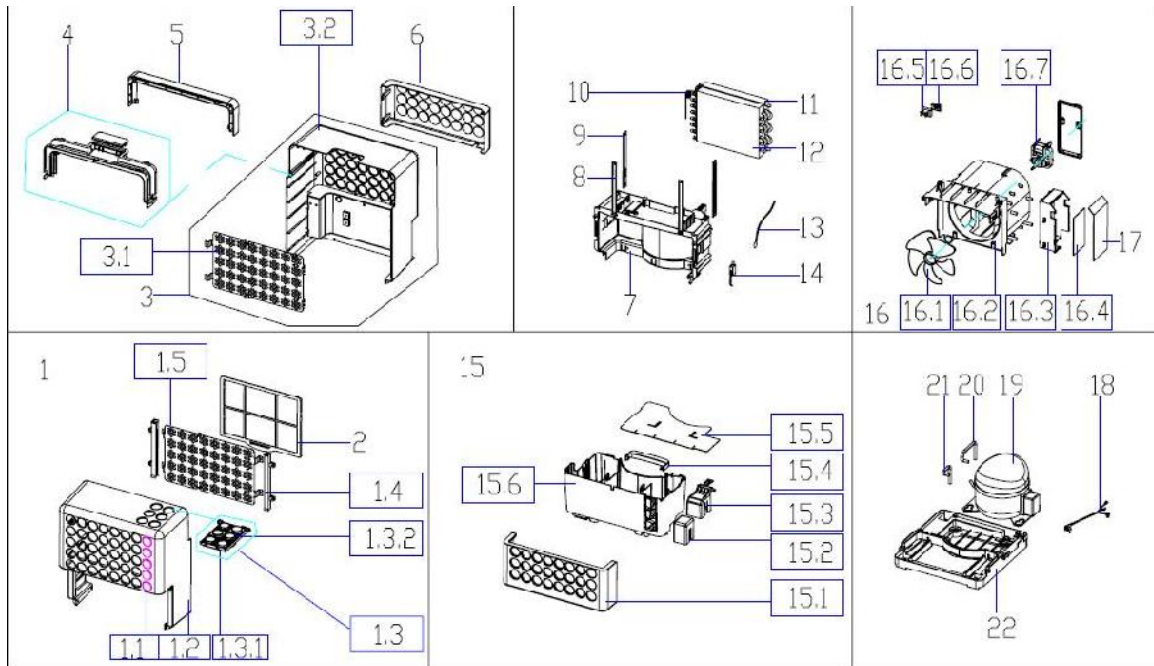
(5). EU-CF0.6BD/N3-T1(A3)(MDT1-16DMN3-QA3)
EU-CF0.8BD/N3-T1(A3)(MDT1-20DMN3-QA3)



Part list:

No.	Part Name	Qty	No.	Part Name	Qty
1	water tank assembly	1	6	Chassis assembly	1
1.1	water tank assembly	1	7	Evaporator	1
1.2	Dobber	1	8	Condenser	1
1.3	Cover for water tank	1	9	Water collector	1
2	Front panel assembly	1	9.1	Micro Switch	1
2.1	Front panel	1	9.2	Water drain pan	1
2.2	Filter guide I	1	10	Compressor	1
2.3	Filter	1	11	Display box assembly	1
2.4	Filter guide II	1	11.1	Control panel	1
3	Exhaust scroll assembly	1	11.2	Display board assembly	1
3.1	Exhaust scroll	1	12	Handle	1
3.2	Propeller fan	1	13	Drain stopper	1
3.3	Shaded pole motor	1	14	Rear panel	1
3.6	main control board assembly	1	15	Pipe Temperature Sensor assembly	1
5	E-part box cover	1	16	power cord assembly	1

(6). EU-CFZ0.4BD/N3-T2(A3)(MDT2-10DEN3)



Part list:

No.	Part Name	Qty	No.	Part Name	Qty
1	water tank assembly	1	6	Chassis assembly	1
1.1	water tank assembly	1	7	Evaporator	1
1.2	Dobber	1	8	Condenser	1
1.3	Cover for water tank	1	9	Water collector	1
2	Front panel assembly	1	9.1	Micro Switch	1
2.1	Front panel	1	9.2	Water drain pan	1
2.2	Filter guide I	1	10	Compressor	1
2.3	Filter	1	11	Display box assembly	1
2.4	Filter guide II	1	11.1	Control panel	1
3	Exhaust scroll assembly	1	11.2	Display board assembly	1
3.1	Exhaust scroll	1	12	Handle	1
3.2	Propeller fan	1	13	Drain stopper	1
3.3	Shaded pole motor	1	14	Rear panel	1
3.6	main control board assembly	1	15	Pipe Temperature Sensor assembly	1
5	E-part box cover	1	16	power cord assembly	1