

Shinco[®]

Manual of dehumidifier

Model No. SDL-30P



CONTENTS

SAFETY INSTRUCTIONS	2
QUICK VISUAL SAFETY GUIDE	4
FEATURES	4
INSTALLATION	5
POSITIONING THE DEHUMIDIFIER	5
PARTS	6
CONTROL PANEL	7
WATER DRAINAGE	9
CARE AND MAINTENANCE	10
TROUBLESHOOTING	11
TECHNICAL DATA	12
WARRANTY	13



SAFETY INSTRUCTIONS

IMPORTANT

- Carefully read the instructions before operating the unit.
- This appliance is for indoor use only and intended for use in a domestic environment only. Any other use is not recommended by the manufacturer and may cause fire, electrical shocks or other injury to user or property.
- If you are in any doubt about the suitability of your electrical supply, have it checked and if necessary, modified by a qualified electrician.
- This dehumidifier has been tested and is safe to use. However, as with any electrical appliance, use it with care.
- Disconnect the power before dismantling, assembling or cleaning.
- Avoid touching any moving parts within the appliance.
- Never insert fingers, pencils or any other objects through the guard.
- This appliance is not intended for use by persons (including children) with reduced physical, sensory or mental capabilities. It is also not intended for use by those with a lack of experience and knowledge, unless they have been given supervision or instruction, concerning the use of the appliance by a person responsible for their safety.
- Do not leave children unsupervised with this appliance.
- Do not clean the unit by spraying it or immersing it in water.
- Never connect the unit to an electrical outlet using an extension cord. If a power outlet is not available, one should be installed by a qualified electrician.
- Never operate this appliance if the cord, power adapter or plug is damaged. Ensure the power cord is not stretched or exposed to sharp objects/edges.
- A damaged power supply cord should be replaced by the manufacturer or a qualified electrician in order to avoid a hazard.
- Any service other than regular cleaning or filter replacement should be performed by an authorised service representative. Failure to comply could result in a voided warranty.
- Do not use the appliance for any purpose other than its intended use.
- Do not tilt the unit while in use. The unit is design to work only in vertical position.
- This dehumidifier must always be stored and transported upright, otherwise irreparable damage may be caused to the compressor; if in doubt we suggest waiting at least 24 hours before starting the unit.
- Avoid restarting the dehumidifier unless 5 minutes have passed since being turned off. This prevents damage to the compressor.
- Never use the plug as a switch to start or turn off the dehumidifier. Use the provided POWER button located on the control panel.
- Always place the unit on a dry and stable surface.
- Do not dry laundry above the unit to prevent water entering the dehumidifier. Place the laundry at least 1 meter away from your dehumidifier.

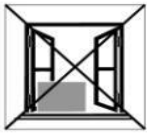
- Before moving the appliance, the water tank should be emptied.
- The handle on the appliance is designed to aid in its movement and should not be used to support the full weight of the dehumidifier. When carrying the unit, it should be kept upright and sufficiently supported from its base.
- The appliance must be placed in a room without sources of ignition (for example: open flames, an operating gas appliance or an operating electric heater).
- Do not use or store the appliance in an unventilated space with an area smaller than 43 sq.ft (4m²) per unit.
- If the appliance is installed, used or stored in an unventilated room, the room must be such as to prevent stagnation of possible leaks of refrigerant gas as there could be a danger of fire or explosion once the refrigerant comes into contact with electric heaters, stoves or other sources of ignition.
- Do not use the product and contact the retailer for advice, if damage has occurred to the unit which may have compromised the refrigerant system.
- Any repairs or maintenance must only be carried out on the unit by a suitably qualified engineer. Before opening and servicing the unit, the authorized engineer must be in possession of a copy of the manufacturer's service manual and must follow the safety information contained within it to ensure all hazards are minimized.
- The refrigerant system should not be perforated or punctured.
- Do not place the unit next to heat sources (e.g. electrical fires, fireplaces, etc.)
- Avoid mishandling the dehumidifier. Dropping, throwing the unit can cause damage to its internals and increases the risks of operating it.
- Do not store or use gasoline, petrol, paint, solvents or other flammable vapours or liquids in the vicinity of this dehumidifier or any other appliance.
- This dehumidifier must not be used in spaces where there is a high concentration of gases, solvent or other volatile organic compounds; in very dusty environments; in any domestic, commercial or industrial environment where the air composition is flammable.

ENERGY SAVING AND UNIT SAFETY PROTECTION TIPS

- Do not cover or restrict the airflow from the outlet or inlet grills. Do not operate and follow troubleshoot procedure if the self-opening louvers do not open on power on.
- For maximum performance the minimum distance from a wall or objects should be 7.9 in (20cm).
- Keep the filters or grills of the unit clean. Under normal conditions, filters or grills should only need cleaning once every three weeks (approximately).
- Since the filters remove airborne particles, more frequent cleaning maybe necessary, depending on the air quality. Vacuum both mesh and optional activated carbon filters and wash the mesh filters with hot soapy water and dry them before placing them back in the unit.



QUICK VISUAL SAFETY GUIDE ON WHERE OR WHEN NOT TO USE YOUR DEHUMIDIFIER



Exposed to the weather outdoors



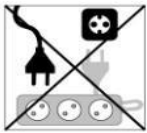
Near water



If their power cable wires are frayed or cut



Where small children may be left unattended



If an extension lead may become overloaded



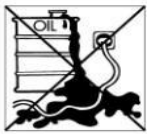
Where the power cable may be damaged



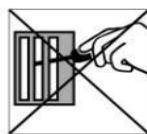
On a slope or uneven surface



Where there is risk of fire or close to a naked flame



Where it may be damaged by chemicals



Where there is a risk or interference by foreign objects



This product is not made for DIY repair



If there is a risk of water falling on the unit



FEATURES

1. Easy to use controls.
2. Easy to carry around handle.
3. Great for up to 3 bed houses.
4. Cost effective way to combat mould, condensation and damp.
5. Laundry mode - dries laundry more efficiently than a tumble dryer.
6. Designed to complement any modern space.
7. Intelligent CPU controlled digital humidistat with 30-80% RH and room humidity display.
8. 24 hours start / stop timer.
9. Easy to remove front tank with water level indicator.
10. Tank operation or permanent drainage option with splash proof tank.
11. Tank full alarm & auto-stop function.
12. Power failure memory function.

INSTALLATION

Remove any water from within the water tank before starting the unit. In order to save energy, do not open windows or doors while the unit is running. Place the unit on a hard / flat surface. On first use, run the unit continuously for 24 hrs.

TO REDUCE NOISE LEVELS:

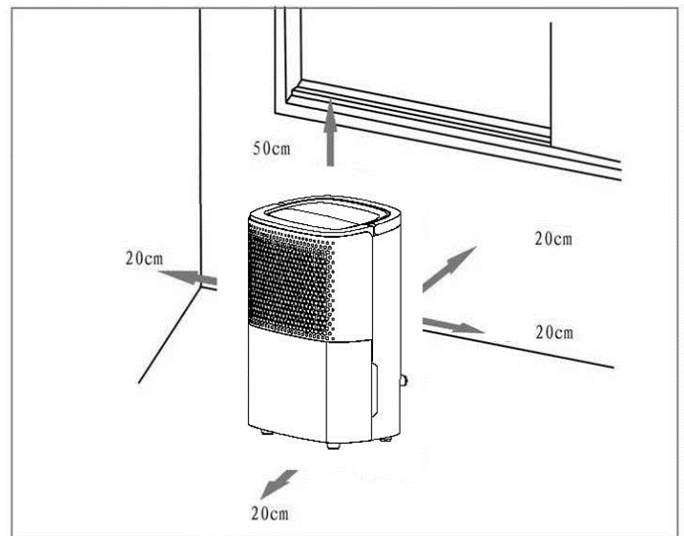
Place a piece of carpet or a rubber mat under the unit to reduce any vibrations while the unit is running. Our dehumidifier uses compressor technology to extract water from the environment. Compressor dehumidifiers are ideal for normal domestic or office environments which are heated during the winter months and maintain a temperature above 54°F-59°F (12-15°C) . The dehumidifiers are lightweight and easy to move. They are designed to extract unwanted humidity while saving money due to their power saving logic. They feature an intelligent humidistat where the desired relative humidity can be adjusted in increments of 5% between 30% and 80% ensuring your room is not dried too much and power is not wasted.

POSITIONING THE DEHUMIDIFIER

A badly positioned dehumidifier will have little effect. In positioning the dehumidifier, please ensure circulation of air is not restricted around the unit.

Allow at least 7.9 in (20cm) space around the unit.

This dehumidifier is designed only for indoor residential or small office applications and any commercial or industrial use will invalidate the warranty.



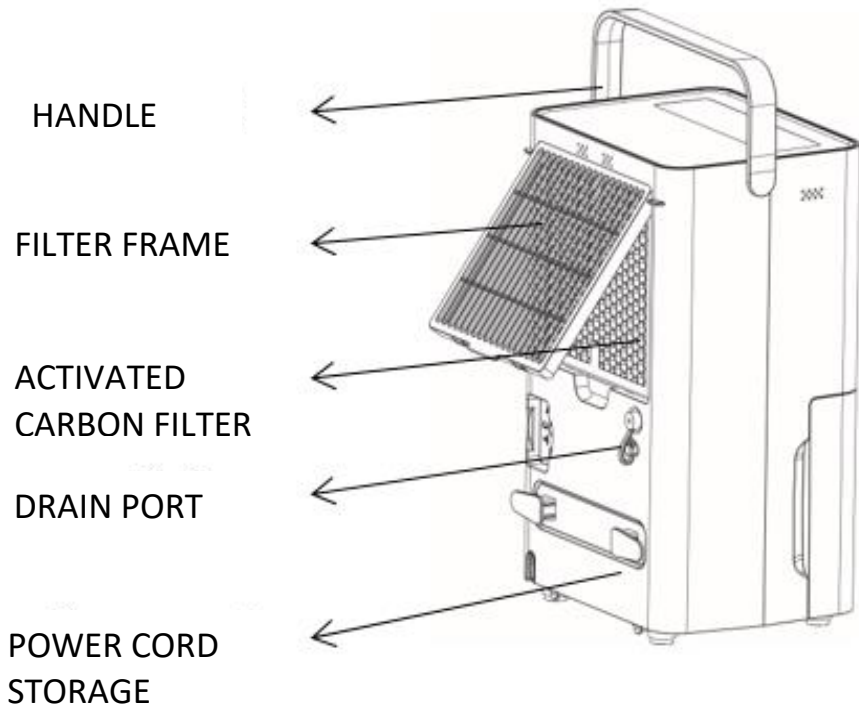
Use in an enclosed area for maximum efficiency. Close all doors, windows to create an effective operating environment.

Do not use outdoors.

Your dehumidifier will begin to protect your space from the harmful effects of excessive moisture as soon as it is turned on. Excess moisture is dispersed throughout your home. For this reason, the dehumidifier should be positioned in a central and clear location so that it can draw this moist air towards it from all over the home. A warm hallway or landing is an excellent position for your dehumidifier. If possible, leave interior doors ajar to allow air circulation.

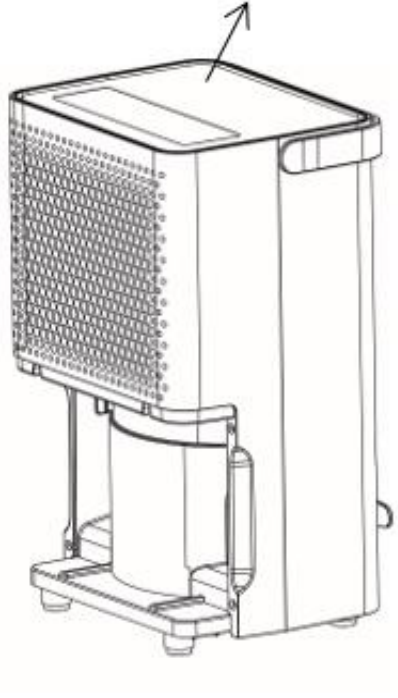
Alternatively, if you have a serious problem in one area you can begin by positioning the dehumidifier there and moving it to a more central location at a later date. For the most effective use, run your dehumidifier with external doors and windows kept closed. Please note the unit should not be placed directly against a radiator or other heat source.

👉 PARTS

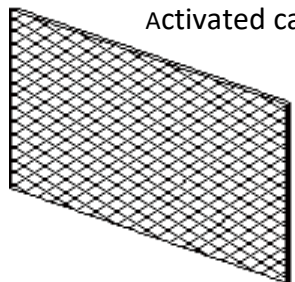


CONTROL PANEL

WATER TANK



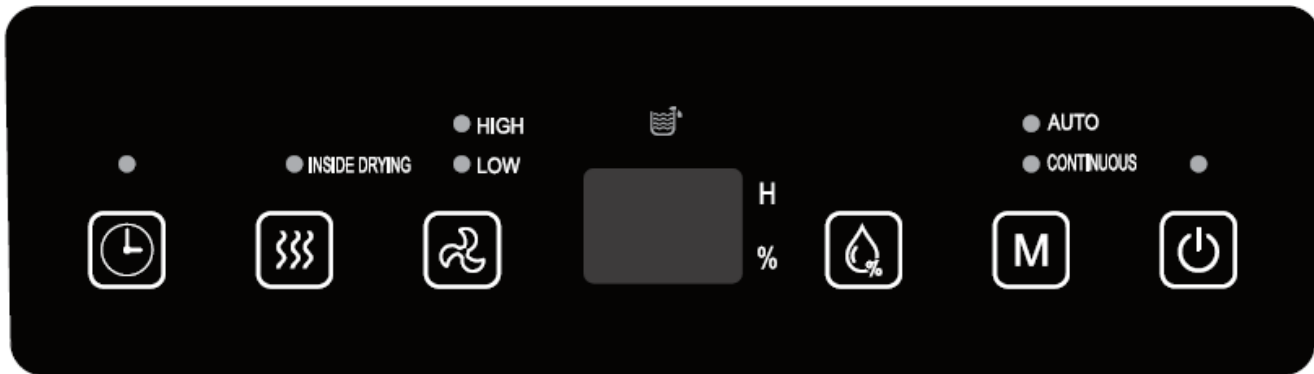
OPTIONAL


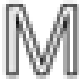








Activated carbon filter (Optional)

The replacement time of the activated carbon filter depends on the frequency and location of your use. It is recommended to replace it every six months, not more than one year at most, and replacement needs to be purchased by yourself. Please search our official website of Shinco (www.shincoglobal.com) to purchase it.

CONTROL PANEL



	<p>POWER Turn the appliance on/off</p>
	<p>MODE Select the operating mode of the unit between Laundry and Auto. The fan will operate continuously to monitor the humidity. AUTO MODE: The unit will start dehumidifying when the humidity increases to 5% above the desired humidity and will stop when the humidity drops to 5% below the desired humidity. The default desired humidity is 50% RH CONTINUOUS MODE: The unit will dehumidify continuously unless the water tank is full or the unit is going through its defrost cycle. This is ideal for drying clothes.</p>
	<p>DESIRED HUMIDITY During Auto Mode, press this button to adjust the desired humidity of the room. This can be changed between 30% and 80% in 5% increments. The unit will initially default to 50% RH.</p>
	<p>FAN SPEED Press it to change between HIGH and LOW fan speeds.</p>
	<p>CLEAN BUTTON When selected the unit will run a cleaning cycle without the compressor to dry out the inside of the unit before storage. This should be run for at least 30 minutes.</p>
	<p>TIMER Press the TIMER button to program the timer. When the timer is activated the "TIMER" light will be illuminated. Before programming the timer, ensure the timer function has not been activated (the light must be off). The following timer programs are available. DELAYED POWER-ON FUNCTION: With the appliance in stand-by, repeatedly press the TIMER button to set in how many hours time you require the unit to start (0~24 hours). DELAYED POWER-OFF FUNCTION: While the appliance is running with the desired settings, repeatedly press the TIMER button to set in how many hours time you require the unit to stop (0~24 hours).</p>
	<p>TANK-FULL When the water tank is full, the TANK FULL indicator light will illuminate, and the unit will stop operating. One emptied and reinstall, the appliance will resume operation.</p>
	<p>DIGITAL DISPLAY Shows the current humidity while the unit is running. Shows the desired humidity when the DESIRED HUMIDITY button is pressed. Shows the timer duration when the TIMER button is pressed.</p>

NOTES

- If a permanent drainage pipe is fitted, the unit will not stop operating. Setting the desired humidity to around 35% is good for laundry mode, a quick drying boost, or in emergencies. It is not recommended for long normal operation in a domestic or office environment.
- To allow more moisture in the air, set a higher desired humidity (e.g. 60%-70%).
- We recommend setting the desired humidity to 50-55%. This is great for domestic operation and dry storage.
- Setting the humidity to 60% is great for personal comfort and applications where 50% RH is considered too dry.
- Setting the humidity to 70% is ideal for unoccupied properties or where an economical run is needed without the need to reduce the humidity further.

OTHER FEATURES AND INDICATORS

TANK FULL LIGHT

When the water tank is full, the unit will stop dehumidifying, the tank full light will illuminate and the unit will bleep. Empty the tank and reinsert it correctly to resume operation.

AUTO DEFROST

When frost builds up on the evaporator coils, the compressor will cycle off and the unit will go in to defrost mode. Following completion of the defrost mode, the unit will return to the previously operating settings.

- When the unit is running in a room with a temperature between 32°F and 53.6 °F (0°C and 12°C), it will enter defrost mode for 8 minutes roughly every 30 minutes.
- When the unit is running in a room with a temperature between 53.6°F and 60.8 °F (12°C and 16°C), it will enter defrost mode for 5 minutes roughly every 60 minutes.
- When the unit is running in a room with a temperature between 60.8°F and 68 °F (16°C and 20°C), it will enter defrost mode for 5 minutes roughly every 90 minutes.

AUTO MODE

- When the humidity of the room is 5% lower than the desired humidity the compressor will turn off automatically.
- When the humidity of the room is 5% higher than the desired humidity the compressor will restart after a 3 minutes delay to protect the compressor.

POWER

After the unit has stopped, to protect the compressor, it is not recommended to resume operation for at least 10 minutes. Operation can resume after this period lapses. When the unit is restarted, there is a 3 minutes delay before compressor starting.

WATER DRAINAGE

When the water tank is full, the unit will stop automatically. When this happens, the **TANK FULL** light will show on the control panel.

NOTE: Only empty the water tank when it is full or before moving or storing the unit.

There are **two** ways to dispense collected water.

USE THE TANK

When the tank is full, the unit will automatically stop running, and the Tank Full indicator will illuminate.

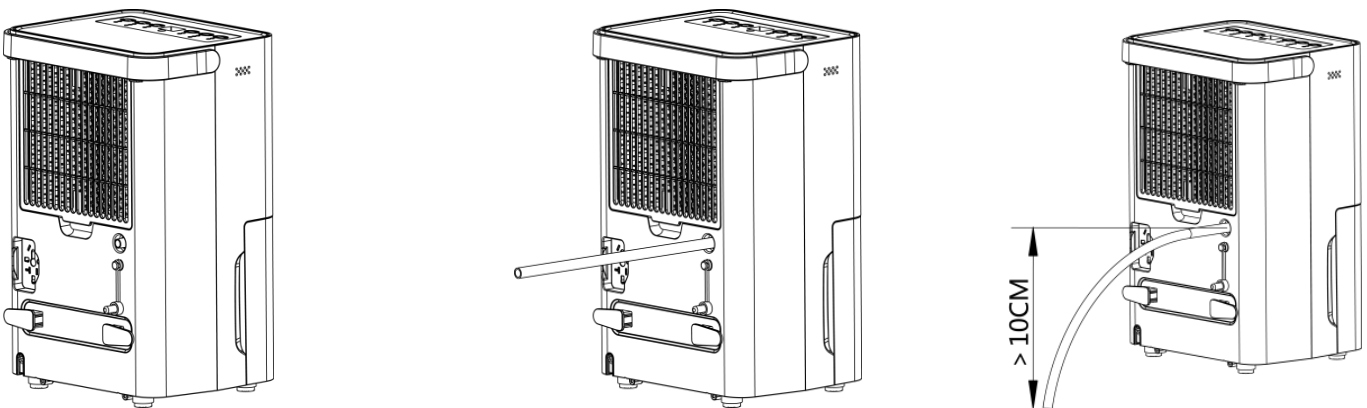
Slowly pull out the tank. Grip the tank by its handle securely, and carefully pull it out. Empty the water tank and reinsert it into the dehumidifier. The tank must be in place and securely seated for the dehumidifier to operate again. The dehumidifier will re-start when the tank is restored in its correct position.

NOTES:

When you remove the water tank, do not touch sensors or any parts which are situated behind tank. Otherwise it may damage the product. Be sure to push the tank gently all the way into the unit. Banging the bucket against anything or failing to push it securely into place may cause the unit not to operate. Do not remove any parts from the water tank or tank enclosure, otherwise the water full sensor will no longer be able to detect the water level correctly and water may leak from the water tank.

CONTINUOUS DRAINAGE

Water can be automatically plumbed in or drained into a sink, a larger recipient or through the wall into an outside drain by attaching a pipe to the unit [0.354 in (9mm) internal diameter]. One 23.62 in (60cm) pipe is supplied. Insert the pipe into the drain outlet at the back of the unit as shown here.



Make sure the connection between pipe and the drain outlet is tight and does not leak. Then direct the pipe to a suitable drainage point. This unit uses gravity to dispose of water, hence the drain should be lower than the water outlet on the unit. Be sure to run the water pipe downward and let the water to flow out smoothly. Do not kink or bend the pipe.

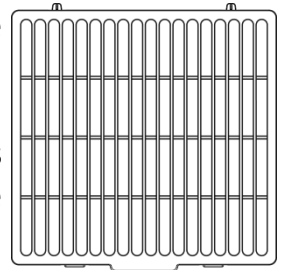
Notice: Pls make sure that the water tank is properly installed on the machine when you use continuous drainage.

CARE AND MAINTENANCE

Always shut off the unit and unplug from the mains before cleaning or performing any maintenance. When it is not in use for long periods, it is advisable to remove the plug from the power socket. Do not use chemical solvents (such as benzene, alcohol or gasoline) as they may cause irreversible damage to the unit.

1. CLEAN THE GRILLE AND CASE

Use water and a mild detergent to clean the washable filter frame. Do not use bleach or abrasives. Do not splash water directly onto the main unit, because it may cause an electric shock and can lead to the insulation to deteriorate, or cause the unit to rust. The air intake and outlet grilles get soiled easily, so use a vacuum attachment or soft brush to clean. Wipe the dehumidifier body with a soft damp cloth or kitchen towel.



Remove the filter frame. If the optional activated carbon filter is fitted, remove them from the frame and Hoover gently approximately every 2-3 weeks.

If the mesh filter is dirty, pls Hoover it, if it is heavily soiled, wash it with warm soapy water and dry thoroughly before reinserting it in the unit.

When filter cleaning is finished and filters are dry, place them back into the unit.

NOTE: While the activated carbon filter is optional, so never run the unit without the filter frame correctly inserted.

2. CLEAN THE WATER TANK

Every few weeks, clean the tank to prevent growth of mold, mildew and bacteria. Partially fill the tank with clean water and add a little mild detergent. Swish it around and then empty the tank and rinse.

NOTE: Do not use a dishwasher to clean the tank. After cleaning and drying, the tank must be reinserted securely into dehumidifier in order to restart operation.

END OF SEASON MAINTENANCE

1. Press the CLEAN BUTTON and leave the unit for at least 30 minutes to internally dry.
2. Empty and clean the water tank, ensuring it is fully dry before reinserting into the unit.
3. Clean the unit and the filters as per cleaning procedure above.
4. Coil the power cord on the special cord storage rest at the back of the unit.
5. Cover the unit and keep it in a dry place.

FREQUENTLY ASKED QUESTIONS

Why doesn't the dehumidifier seem to extract much water if the temperature is low?

This is a compressor dehumidifier which works best in temperatures above 59°F (15°C) . If the temperature is low and the air is dryer than the setting on the humidistat, the unit will not extract water. If you want to use a dehumidifier for outside buildings, unheated properties, boats or garages, pls check our desiccant range. **Why doesn't the unit work /or stops suddenly?**

The water tank may be full or displaced. To rectify: empty the tank and carefully place the tank back in the unit. Also the unit may be running in dehumidifying mode with a low room temperature. Please check if the room temperature is lower than 41°F(5°C). If so, the unit will stop working while in dehumidifying mode.(unit may be defrosted).

The ambient operating range is between 41°F(5°C) and 95°F(35°C) with a relative humidity ranging from 30% to 80%. For maximum efficiency use the unit between 59°F(15°C) and 89.6°F(32°C).

TROUBLESHOOTING

Issue	Cause	Solution
Hot or cold air being produced	Normal Operation	When the unit is in dehumidifying mode it absorbs humid air from room and freezes it to reduce the humidity. During the cold cycle there should be cold air coming out of the unit, During the defrost cycle hot dry air should be coming out of the outlet grill.
Unit does not operate	Is the plug properly inserted in the socket?	Insert the plug into the socket and turn the switch on.
	Does the tank full indicator is red?	Tank full, float displaced or tank not properly inserted. Empty tank, check float and make sure tank is properly inserted in unit.
Dehumidifier does not extract water	Is the unit set to a humidity level lower than the one in the room?	Set the humidity level on the humidistat bellow current humidity reading.
	Is the temperature too low for water extraction to be efficient?	Increase temperature in the room or reposition the unit.
	Is any intake grill or discharge blocked? Is the unit too close to walls.	Remove obstructions and restart the unit. Ensure a distance of at least 7.9 in(20cm) between the unit & walls
Airflow seems weak	Is filter dirty or clogged?	Please service the filters regularly as per user manual.
Unit is noisy during operation	Is the unit on an uneven surface?	Please place on flat horizontal surface.
	Is filter clogged?	Please service the filters regularly as user manual.
E2 Error Code	Temperature sensor error	Use the unit within the prescribed temperature range. Unplug the unit, rest and plug it back in. If error repeats, call for service centre.
P1 Error Code	Appliance in defrost mode	This is normal operation to prevent a build up of ice on the coils. Leave the unit, and it will return to normal operation.
FL Error Code	Water tank full notification	Tank is full or is not in the right position-- Empty the tank and replace in the right position.

Any other malfunctions will need to contact our customer service. (Email to:service@shinco.net)



TECHNICAL DATA

Model		SDL-30P
Specification	Color	white
	Power supply	110~120V/60Hz
	Power input (w)	280
	Rated current(A)	3
	Moisture Removal (90°F,RH90%)	30
	Water tank capacity(Water full)(Liter)	1.5L
	Refrigerant	R134a
	Noise level (dbA)	42
Type	Mechanical/Electronic	Electronic
Features	Timer	24H
	Display	LED
	water-full alarm	YES
	cloth-dry function	YES
	Continuous drianage function	YES
	Frost prevention	YES
Specification	Net/Gross Weight (Kg)	9.5/10.5
	Body size(MM)	256×203x415
	Package size(MM)	299×258x459

Warranty

TO OBTAIN WARRANTY SERVICE:

Please contact us by email.

Sales support: **service@shinco.net**

WARRANTY PERIOD:

Labor: 1 Year from the Date of Purchase.

Parts: 1 Year from the Date of Purchase.

SHINCO Electric Co., Ltd reserves rights to upgrade products without user notice.