



---

## DEHUMIDIFIER

### Use & Care Guide

For questions about features, operation/performance, parts, accessories or service call: **1-800-253-1301**

or visit our website at... **www.whirlpool.com**

In Canada, call for assistance, installation and service, call: **1-800-807-6777**

or visit our website at...**www.whirlpool.ca**

---

## DESHUMIDIFICADOR

### Manual de uso y cuidado

Si tiene preguntas respecto a las características, funcionamiento, rendimiento, partes, accesorios o servicio técnico, llame al: **1-800-253-1301**

o visite nuestro sitio web en... **www.whirlpool.com**

---

Table of Contents/Índice .....	2
--------------------------------	---

---

## TABLE OF CONTENTS

<b>DEHUMIDIFIER SAFETY</b> .....	<b>2</b>	Normal Sounds.....	7
<b>INSTALLATION REQUIREMENTS</b> .....	<b>3</b>	<b>DEHUMIDIFIER CARE</b> .....	<b>7</b>
Electrical Requirements .....	3	Cleaning the Air Filter (on some models) .....	7
Location Requirements .....	3	Cleaning the Dehumidifier .....	8
<b>DEHUMIDIFIER USE</b> .....	<b>4</b>	<b>TROUBLESHOOTING</b> .....	<b>8</b>
Setting the Controls (Control Types 1 and 2 Only) .....	4	<b>ASSISTANCE OR SERVICE</b> .....	<b>9</b>
Setting the Controls (Control Types 3 and 4 Only) .....	5	In the U.S.A. ....	9
Draining the Dehumidifier .....	6	In Canada .....	9

## ÍNDICE

<b>SEGURIDAD DEL DESHUMIDIFICADOR</b> .....	<b>11</b>	Cómo desaguar el deshumidificador .....	15
<b>REQUISITOS DE INSTALACIÓN</b> .....	<b>12</b>	Sonidos normales.....	16
Requisitos eléctricos .....	12	<b>CUIDADO DEL DESHUMIDIFICADOR</b> .....	<b>17</b>
Requisitos de ubicación.....	12	Limpieza del filtro de aire (en algunos modelos) .....	17
<b>CÓMO USAR EL DESHUMIDIFICADOR</b> .....	<b>13</b>	Limpieza del deshumidificador .....	17
Ajuste de los controles (Sólo para modelos con controles tipo 1 y 2) .....	13	<b>SOLUCIÓN DE PROBLEMAS</b> .....	<b>18</b>
Ajuste de los controles (Sólo para modelos con controles tipo 3 y 4).....	14	<b>AYUDA O SERVICIO TÉCNICO</b> .....	<b>19</b>
		En los EE.UU. ....	19

## DEHUMIDIFIER SAFETY

### Your safety and the safety of others are very important.

We have provided many important safety messages in this manual and on your appliance. Always read and obey all safety messages.



This is the safety alert symbol.

This symbol alerts you to potential hazards that can kill or hurt you and others.

All safety messages will follow the safety alert symbol and either the word "DANGER" or "WARNING." These words mean:

**⚠ DANGER**

**You can be killed or seriously injured if you don't immediately follow instructions.**

**⚠ WARNING**

**You can be killed or seriously injured if you don't follow instructions.**

All safety messages will tell you what the potential hazard is, tell you how to reduce the chance of injury, and tell you what can happen if the instructions are not followed.

### IMPORTANT SAFETY INSTRUCTIONS

**WARNING:** To reduce the risk of fire, electrical shock, injury or sickness when using your dehumidifier, follow these basic precautions:

- Plug into a grounded 3 prong outlet.
- Do not remove ground prong.
- Do not use an adapter.
- Do not use an extension cord.
- Unplug dehumidifier before servicing.
- Do not drink water collected in the water bucket.

**SAVE THESE INSTRUCTIONS**

# INSTALLATION REQUIREMENTS

## Electrical Requirements

### ⚠ WARNING



#### Electrical Shock Hazard

Plug into a grounded 3 prong outlet.

Do not remove ground prong.

Do not use an adapter.

Do not use an extension cord.

Failure to follow these instructions can result in death, fire, or electrical shock.

Specific electrical requirements are listed in the chart below. Follow the requirements for the type of plug on the power supply cord.

#### Power supply cord

#### Wiring requirements



- 115 volt (103.5 min. to 126.5 max.)
- 15-amp time-delay fuse or circuit breaker

#### Recommended grounding method

This dehumidifier must be grounded. This dehumidifier is equipped with a power supply cord having a grounded 3 prong plug. To minimize possible shock hazard, the cord must be plugged into a mating, grounded 3 prong outlet, grounded in accordance with all local codes and ordinances. If a mating outlet is not available, it is the customer's responsibility to have a properly grounded 3 prong outlet installed by a qualified electrical installer.

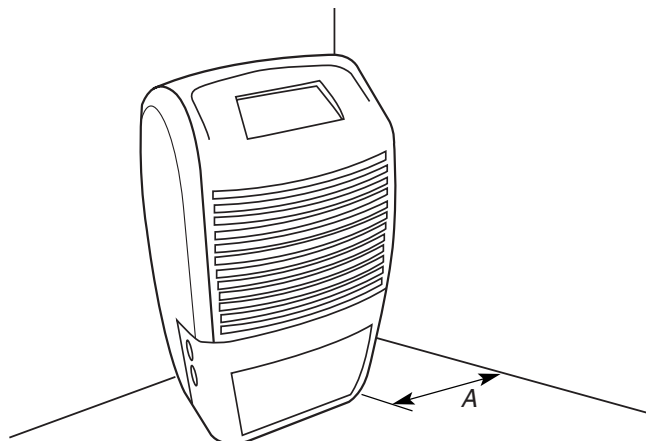
It is the customer's responsibility:

- To contact a qualified electrical installer.
- To assure that the electrical installation is adequate and in conformance with National Electrical Code, ANSI/NFPA 70 - latest edition, and all local codes and ordinances.

Copies of the standards listed may be obtained from:

National Fire Protection Association  
One Batterymarch Park  
Quincy, MA 02269

## Location Requirements



A. Allow at least 12" to 18" (30.5 to 45.7 cm) of air space.

- You will need a level surface strong enough to support the dehumidifier when its bucket is full of water.
- Keep all outside doors, windows and other openings closed when you are operating dehumidifier. Humid outdoor air will increase dehumidifier workload.
- Install dehumidifier in an area where the temperature will not fall below: 65°F (18°C) for Control Type 1 (model AD25B), 55°F (13°C) for Control Type 1 (model AD25D) and Control Type 2, 38°F (3°C) for Control Types 3 and 4. Lower temperatures will cause your performance to drop.
- Do not block the louvers on the front panel.

# DEHUMIDIFIER USE

## Setting the Controls (Control Types 1 and 2 Only)

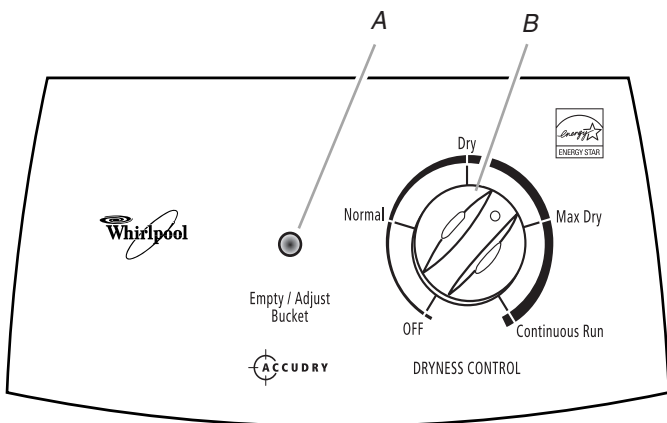
### Starting/Stopping the Dehumidifier

**NOTE:** Before turning on the dehumidifier, be sure that the bucket is empty and fits all the way into the dehumidifier.

#### Control Type 1

**NOTES:**

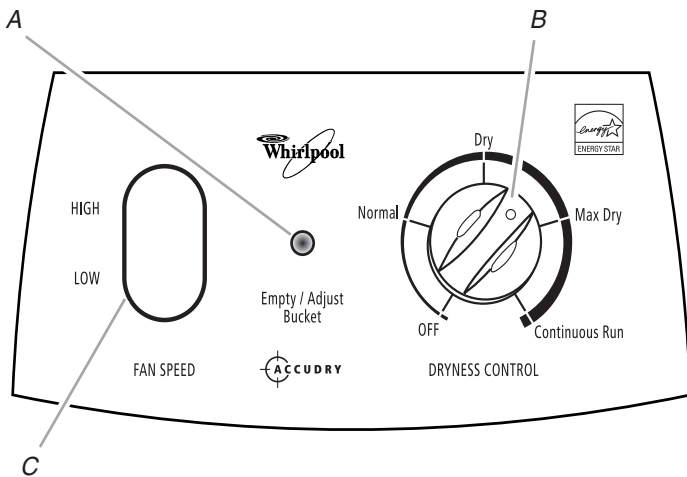
- Minimum operating temperature is 65°F (18°C) for model AD25B.
- Minimum operating temperature is 55°F (13°C) for model AD25D.



A. Light glows, indicating the bucket is full or is not in correct position.  
B. Adjusts amount of moisture removed from room.

#### Control Type 2

**NOTE:** Minimum operating temperature is 55°F (13°C).



A. Light glows, indicating the bucket is full or is not in correct position.  
B. Adjusts amount of moisture removed from room.  
C. Selects fan speed.

## ⚠ WARNING



### Electrical Shock Hazard

**Plug into a grounded 3 prong outlet.**

**Do not remove ground prong.**

**Do not use an adapter.**

**Do not use an extension cord.**

**Failure to follow these instructions can result in death, fire, or electrical shock.**

1. Plug into a grounded 3 prong outlet.
2. To turn on dehumidifier, turn DRYNESS CONTROL clockwise.  
**IMPORTANT:** If the Empty/Adjust Bucket light comes on, the dehumidifier will not operate. Empty or adjust bucket.
3. To turn off dehumidifier, turn DRYNESS CONTROL counterclockwise to OFF.

### Empty/Adjust Bucket Light

If this light is on, the dehumidifier is not running. This light indicates that you need to check:

- If the bucket is full, empty and reinstall bucket.
- If the bucket is not in position, remove the bucket and reinstall. Make sure the bucket fits all the way into the dehumidifier and the light is off, or dehumidifier will not run.

### Fan Speed (Control Type 2 Models Only)

The Fan Speed controls fan operation

- High—for faster moisture removal
- Low—for quieter moisture removal

### Dryness Control

The Dryness Control regulates the amount of moisture in the room. Turn the control knob clockwise for more drying. Turn the control knob counterclockwise for less drying. Turn the control knob to “Dry” to maintain average humidity conditions.

**NOTES:**

- For the first few days of use, turn the DRYNESS CONTROL clockwise to CONTINUOUS RUN to remove extra moisture from the furnishings as well as the room air.
- For all models except AD25B, the Deicer will turn off the compressor if a low temperature condition exists. Turning the Dryness Control will not increase or decrease the amount of moisture removed. Compressor operation will resume when the low temperature condition no longer exists.

## Setting the Controls (Control Types 3 and 4 Only)

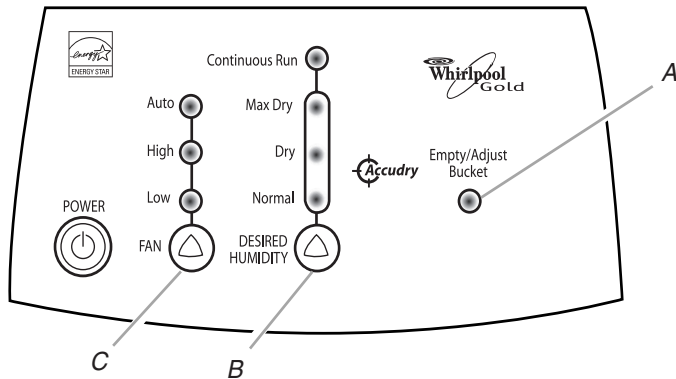
### Starting/Stopping the Dehumidifier

#### NOTES:

- Before turning on the dehumidifier, be sure that the bucket is empty and fits all the way into the dehumidifier.
- Each time you unplug the dehumidifier or power is interrupted, the control will return to your previous settings when power is restored.

#### Control Type 3

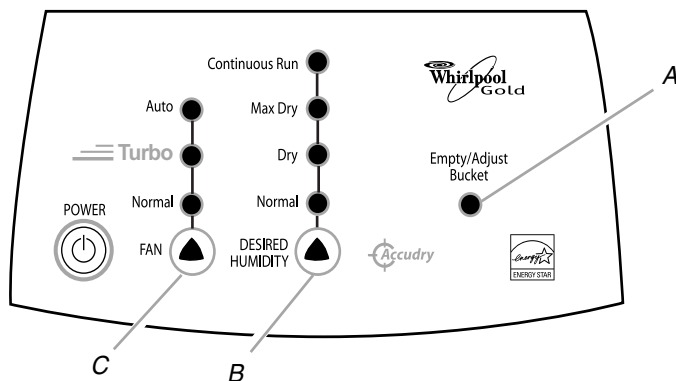
**NOTE:** Minimum operating temperature is 38°F (3°C).



- A. Light glows, indicating the bucket is full or is not in correct position.  
 B. Adjusts amount of moisture removed from room.  
 C. Selects fan speed.

#### Control Type 4

**NOTE:** Minimum operating temperature is 38°F (3°C).



- A. Light glows, indicating the bucket is full or is not in correct position.  
 B. Adjusts amount of moisture removed from room.  
 C. Selects fan speed.

## ⚠ WARNING



### Electrical Shock Hazard

Plug into a grounded 3 prong outlet.

Do not remove ground prong.

Do not use an adapter.

Do not use an extension cord.

Failure to follow these instructions can result in death, fire, or electrical shock.

1. Plug into a grounded 3 prong outlet.
2. Press POWER to turn on dehumidifier.  
**IMPORTANT:** If the Empty/Adjust Bucket light comes on, the dehumidifier will not operate. Empty or adjust bucket.
3. Press POWER to turn off dehumidifier.  
**NOTE:** The dehumidifier will retain your last settings.

### Empty/Adjust Bucket Light

If this light is on, the dehumidifier is not running. This light indicates that you need to check:

- If the bucket is full, empty and reinstall bucket.
- If the bucket is not in position, remove the bucket and reinstall. Make sure the bucket fits all the way into the dehumidifier and the light is off, or dehumidifier will not run.

### Fan Speed (Control Type 3 Models Only)

1. Press FAN to select fan speed.
2. Choose Low, High or Auto.
  - Low—Will reach the desired humidity setting slower with lower sound level.
  - High—Will reach the desired humidity setting faster.
  - Auto —Will provide the maximum humidity control by automatically adjusting the fan speed and/or turning the dehumidifier on and off to maintain humidity setting.

### Fan Speed (Control Type 4 Models Only)

1. Press FAN to select fan speed.
2. Choose Normal, Turbo or Auto.
  - Normal—Will reach the desired humidity setting slower with lower sound level.
  - Turbo—Will reach the desired humidity setting faster.
  - Auto —Will provide the maximum humidity control by automatically adjusting the fan speed and/or turning the dehumidifier on and off to maintain humidity setting.

## Desired Humidity

1. Press DESIRED HUMIDITY to select the desired humidity setting.
2. Choose Normal, Dry, Max Dry or Continuous Run.
  - Normal—Will operate the dehumidifier at the selected fan speed until the humidity levels are lowered.
  - Dry—Will operate the dehumidifier at the selected fan speed until the humidity levels are lowered more than the Normal setting.

- Max Dry—Will operate the dehumidifier at the selected fan speed until the humidity levels are lowered to the maximum level.
- Continuous Run—Will operate the dehumidifier continuously at the selected fan speed regardless of humidity level. The dehumidifier will turn off only if the bucket is full or removed.

**NOTE:** The electronic control will cycle the compressor on and off if a low temperature condition exists. Pressing the Desired Humidity arrow will not increase or decrease the amount of moisture removed during a low temperature condition. Normal compressor operation will resume when the low temperature condition no longer exists.

## Draining the Dehumidifier

### **⚠ WARNING**

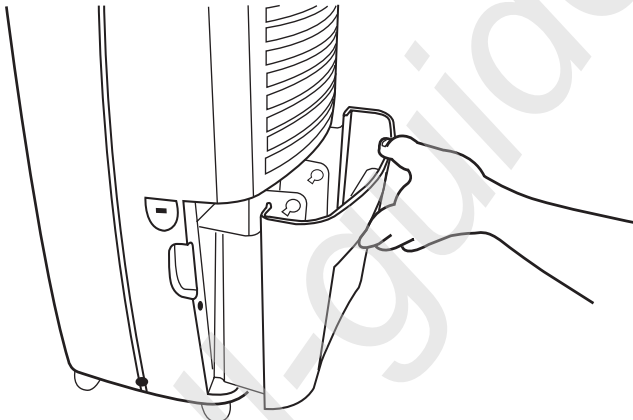
#### Sickness Hazard

Do not drink water collected in water bucket.  
Doing so can result in sickness.

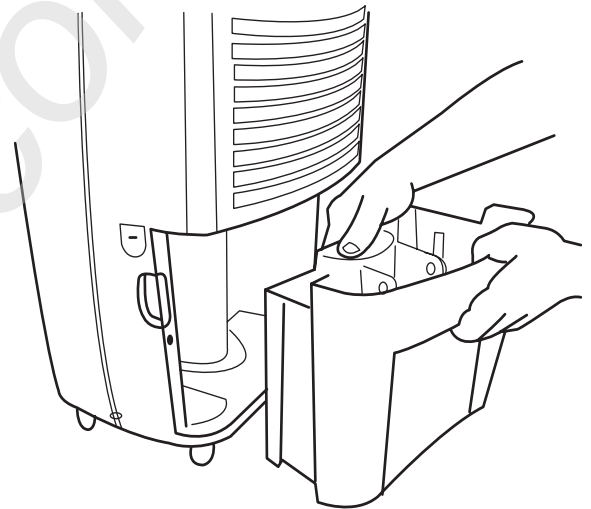
### Option 1—Remove Bucket

If a floor drain is not available, or you do not plan to run your dehumidifier continuously, you may want to simply empty the bucket.

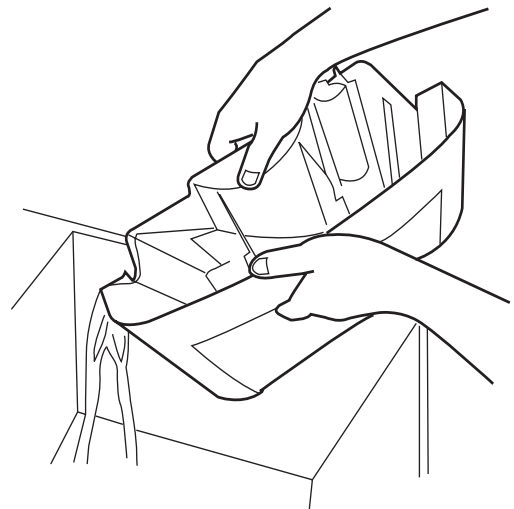
1. Use front handle to slide bucket out.



2. Use front and back handles to lift bucket.



3. Pour water through opening into a sink or tub.



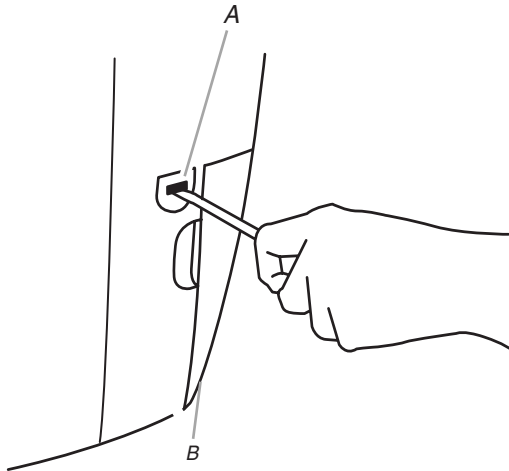
4. Reinstall bucket.

**IMPORTANT:** If the Empty/Adjust Bucket light comes on, the dehumidifier will not operate. Empty or adjust bucket.

## Option 2—Connect Drain Hose

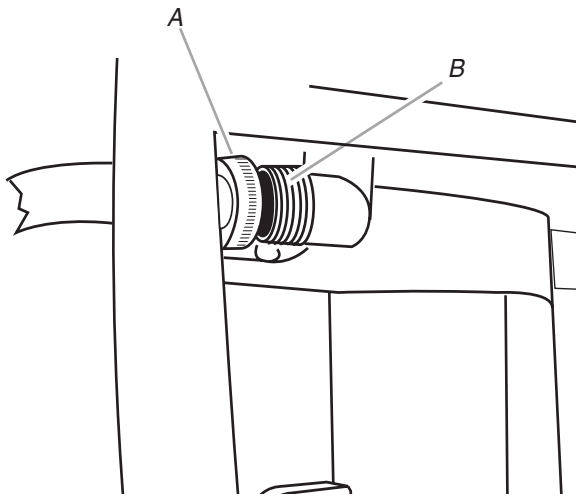
If you plan to run your dehumidifier continuously, you may want to attach a garden hose to the drain hose connector.

1. Use a flat-blade screwdriver to gently pry out the drain hose connector cover. Discard the cover.



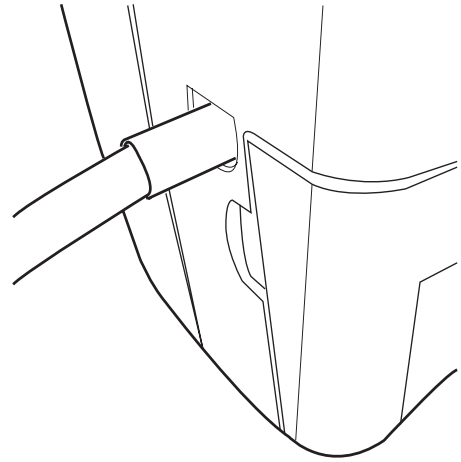
A. Drain hose connector cover  
B. Bucket

2. Remove bucket.
3. Attach a garden hose to drain hose connector on the inside of the dehumidifier. Hand tighten.



A. Garden hose  
B. Drain hose connector

4. Place the other end of garden hose into a floor drain. Check to see that the hose lies flat and is in the drain.
5. Reinstall bucket.



### NOTES:

- To use the bucket without the garden hose, remove the garden hose. Then reinstall bucket.
- The bucket must be installed and properly aligned for the dehumidifier to operate with or without a garden hose connected.

## Normal Sounds

When your dehumidifier is operating normally, you may hear sounds such as:

- Compressor sounds, which may be loud. This is normal.
- Clicking sounds when the dehumidifier or compressor turns off and on, and when the Automatic Shutoff Switch is working.
- Air movement from the fan.

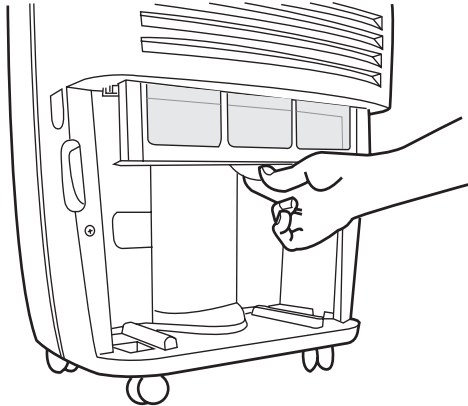
## DEHUMIDIFIER CARE

Your new dehumidifier is designed to give you many years of dependable service. This section tells you how to clean and care for your dehumidifier. Call your local authorized dealer for an annual cleaning of the dehumidifier.

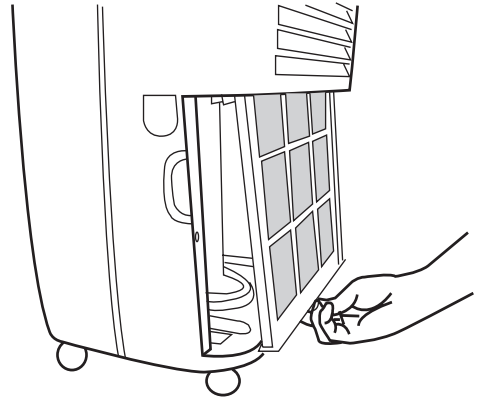
### Cleaning the Air Filter (on some models)

The air filter is removable for easy cleaning. A clean filter helps remove dust, lint, and other particles from the air and is important for best operating efficiency. Check the filter every 2 weeks to see whether it needs cleaning.

1. Turn off dehumidifier.
2. Remove bucket.
3. Pull filter down from below front louvers.



4. Pull bottom edge of air filter toward you to clear the bottom of the dehumidifier.



5. Use a vacuum cleaner to clean air filter. If air filter is very dirty, wash it in warm water with a mild detergent. Do not wash air filter in the dishwasher or use any chemical cleaners. Air dry filter completely before replacing to ensure maximum efficiency.
6. Slide air filter up into the dehumidifier.
7. Reinstall bucket.
8. Turn on the dehumidifier.

### Cleaning the Dehumidifier

#### Exterior

**NOTE:** Have an authorized service technician clean and service the interior coils of your product annually.

1. Turn off dehumidifier.
2. Dust front grille and side panels with a soft brush or the dusting attachment of your vacuum cleaner.

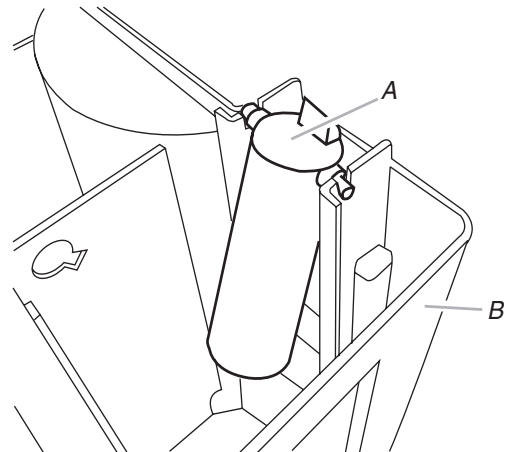
#### Water Bucket

Every few weeks, rinse the inside of the water bucket with a mild detergent to avoid growth of mold, mildew and bacteria.

#### Water Level Float

The dehumidifier has an Empty/Adjust Bucket light and a water level float. The bucket must be properly aligned for the water level float and Empty/Adjust Bucket light to work.

**NOTE:** Be sure float is snapped in place.



A. Water level float  
B. Bucket



# TROUBLESHOOTING

Before calling for service, try the suggestions below to see whether you can solve your problem without outside help.

## Dehumidifier will not run

- **Is the dehumidifier turned on?** Turn on dehumidifier.

### **⚠ WARNING**



#### Electrical Shock Hazard

**Plug into a grounded 3 prong outlet.**

**Do not remove ground prong.**

**Do not use an adapter.**

**Do not use an extension cord.**

**Failure to follow these instructions can result in death, fire, or electrical shock.**

- **Is the power cord plugged into a grounded 3 prong outlet?** Plug into a grounded 3 prong outlet. See “Electrical Requirements.”
- **Has a household fuse blown, or has a circuit breaker tripped?** Replace the fuse or reset the circuit breaker. If the problem continues, call an electrician. See “Electrical Requirements.”
- **Is bucket installed properly?** Reinstall bucket so that it fits all the way into the dehumidifier.
- **Does bucket need to be emptied?** Empty bucket.
- **Is water level float in place?** Remove bucket. Make sure float is snapped in place. Reinstall bucket.

## Ice forms on coils

- **Model AD25B dehumidifiers do not have an automatic deicer.** See model and serial number label for model number. If ice forms on coils, unplug dehumidifier until ice melts and room temperature rises.
- **All models, except AD25B, have an automatic deicer that will shut off the compressor and allow the fan to run.** This reduces the ice buildup on the coils. The compressor will cycle back on when the deicer senses the correct operating temperature.

## Dehumidifier runs but does not dehumidify

- **Do you have model AD25D?** Units with this model number have a deicer that will shut off the compressor and allow the fan to run. When the deicer senses the correct operating temperature, the compressor will cycle back on.
- **Do you have control type 2, 3 or 4?** Units with these control types have a deicer that will shut off the compressor and allow the fan to run. When the deicer senses the correct operating temperature, the compressor will cycle back on.
- **Do you have control type 3 or 4?** If you have selected Continuous Run, the dehumidifier will run continuously. If the humidity level is low, little or no water may be collected.
- **The filter (on some models) is dirty or obstructed by debris.** Clean the filter.

## Air coming from dehumidifier is warm

- **Dehumidifier will put out warm air under normal operating conditions.**

---

## ASSISTANCE OR SERVICE

Before calling for assistance or service, please check “Troubleshooting.” It may save you the cost of a service call. If you still need help, follow the instructions below.

When calling, please know the purchase date and the complete model and serial number of your appliance. This information will help us to better respond to your request.

### If you need replacement parts

If you need to order replacement parts, we recommend that you use only FSP® replacement parts. FSP® replacement parts will fit right and work right because they are made with the same precision used to build every new WHIRLPOOL® appliance.

To locate FSP® replacement parts in your area, call us or your nearest Whirlpool designated service center.

---

### In the U.S.A.

Call the Whirlpool Customer eXperience Center toll free: **1-800-253-1301** or visit our website at **[www.whirlpool.com](http://www.whirlpool.com)**.

#### Our consultants provide assistance with:

- Features and specifications on our full line of appliances.
- Installation information.
- Use and maintenance procedures.
- Accessory and repair parts sales.
- Specialized customer assistance (Spanish speaking, hearing impaired, limited vision, etc.).
- Referrals to local dealers, repair parts distributors, and service companies. Whirlpool designated service technicians are trained to fulfill the product warranty and provide after-warranty service, anywhere in the United States.

To locate the Whirlpool designated service company in your area, you can also look in your telephone directory Yellow Pages.

#### For further assistance

If you need further assistance, you can write to Whirlpool Corporation with any questions or concerns at:

Whirlpool Brand Home Appliances  
Customer eXperience Center  
553 Benson Road  
Benton Harbor, MI 49022-2692

Please include a daytime phone number in your correspondence.

---

### In Canada

Call the Whirlpool Canada LP Customer Interaction Centre toll free: **1-800-807-6777**.

#### Our consultants provide assistance with:

- Features and specifications on our full line of appliances.
- Use and maintenance procedures.
- Accessory and repair parts sales.
- Referrals to local dealers, repair parts distributors, and service companies. Whirlpool Canada LP designated service technicians are trained to fulfill the product warranty and provide after-warranty service, anywhere in Canada.

#### For further assistance

If you need further assistance, you can write to Whirlpool Canada LP with any questions or concerns at:

Customer Interaction Centre  
Whirlpool Canada LP  
1901 Minnesota Court  
Mississauga, Ontario L5N 3A7

Please include a daytime phone number in your correspondence.

**Please record your model's information.**

Whenever you call to request service on your appliance, you need to know your complete model number and serial number. You can find this information on the model and serial number label. The model and serial number label is located on the wall behind the water bucket.

Please record the model and serial number information below. Also, record the purchase date of your appliance and the store's name, address, and telephone number.

**Model Number** \_\_\_\_\_

**Serial Number** \_\_\_\_\_

**Purchase Date** \_\_\_\_\_

**Store Name** \_\_\_\_\_

**Store Address** \_\_\_\_\_

**Store Phone** \_\_\_\_\_

Keep this book and the sales slip together for future reference.

all-guides.com

## SEGURIDAD DEL DESHUMIDIFICADOR

### Su seguridad y la seguridad de los demás es muy importante.

Hemos incluido muchos mensajes importantes de seguridad en este manual y en su electrodoméstico. Lea y obedezca siempre todos los mensajes de seguridad.



Este es el símbolo de advertencia de seguridad.

Este símbolo le llama la atención sobre peligros potenciales que pueden ocasionar la muerte o una lesión a usted y a los demás.

Todos los mensajes de seguridad irán a continuación del símbolo de advertencia de seguridad y de la palabra "PELIGRO" o "ADVERTENCIA". Estas palabras significan:

**▲ PELIGRO**

Si no sigue las instrucciones de inmediato, usted puede morir o sufrir una lesión grave.

**▲ ADVERTENCIA**

Si no sigue las instrucciones, usted puede morir o sufrir una lesión grave.

Todos los mensajes de seguridad le dirán el peligro potencial, le dirán cómo reducir las posibilidades de sufrir una lesión y lo que puede suceder si no se siguen las instrucciones.

### INSTRUCCIONES IMPORTANTES DE SEGURIDAD

**ADVERTENCIA:** Para reducir el riesgo de incendio, choque eléctrico, lesiones personales o enfermedad al usar su deshumidificador, siga estas precauciones básicas:

- Conecte a un contacto de pared de conexión a tierra de 3 terminales.
- No quite el terminal de conexión a tierra.
- No use un adaptador.
- No use un cable eléctrico de extensión.
- Desconecte el deshumidificador antes de darle servicio.
- No beba el agua acumulada en el balde de agua.

**CONSERVE ESTAS INSTRUCCIONES**

# REQUISITOS DE INSTALACIÓN

## Requisitos eléctricos

### ⚠ ADVERTENCIA



#### Peligro de Choque Eléctrico

Conecte a un contacto de pared de conexión a tierra de 3 terminales.

No quite la terminal de conexión a tierra.

No use un adaptador.

No use un cable eléctrico de extensión.

No seguir estas instrucciones puede ocasionar la muerte, incendio o choque eléctrico.

Los requisitos eléctricos específicos se indican en la tabla a continuación. Siga los requisitos para el tipo de enchufe en el cable de alimentación eléctrica.

#### El cable eléctrico

#### Requisitos de cableado



- 115 voltios (103,5 mín. a 126,5 máx.)
- Fusible de retardo de 15 amperios o cortacircuitos

#### Método recomendado para la puesta a tierra

Este deshumidificador debe ser puesto a tierra. Este deshumidificador está equipado con un cable de suministro de energía provisto de un enchufe con tres terminales. Para reducir a un mínimo el peligro de posibles choques eléctricos, el cable debe ser enchufado en un contacto apropiado de pared de tres terminales conectado a tierra de acuerdo con todos los códigos y reglamentos locales. Si no se dispone de un tomacorriente apropiado, es responsabilidad del cliente hacer instalar un contacto con tres terminales debidamente puesto a tierra por un instalador eléctrico calificado.

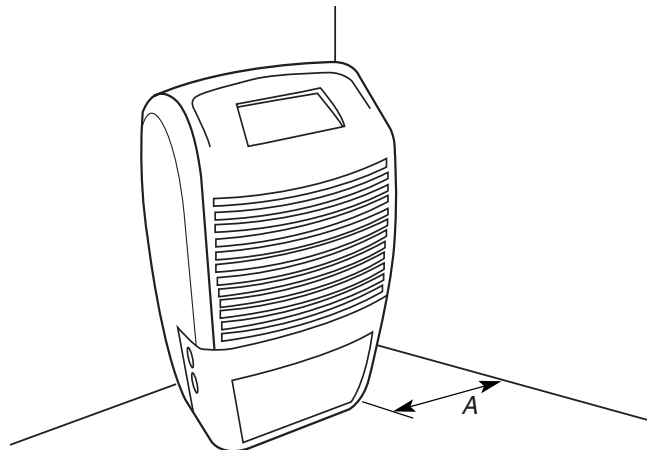
Es responsabilidad del cliente:

- Llamar a un instalador eléctrico calificado.
- Asegurarse de que la instalación eléctrica sea adecuada y esté hecha de acuerdo con el Código Nacional Eléctrico, ANSI/NFPA 70, última edición, y todos los códigos y reglamentos locales.

Pueden obtenerse copias de las normas señaladas en:

National Fire Protection Association  
One Batterymarch Park  
Quincy, MA 02269

## Requisitos de ubicación



A. Deje por lo menos de 12" a 18" (30,5 a 45,7 cm) de espacio para el aire.

- Necesitará contar con una superficie nivelada lo suficientemente fuerte como para soportar el deshumidificador con el balde lleno de agua.
- Cuando esté usando el deshumidificador, mantenga cerradas todas las puertas y ventanas que dan al exterior, y otras aberturas. El aire húmedo del exterior aumentará la carga de trabajo del deshumidificador.
- Instale el deshumidificador en un lugar donde la temperatura no bajará más de 65°F (18°C) para su modelo con control tipo 1 (modelo AD25B), 55°F (13°C) para su modelo con control tipo 1 (modelo AD25D) y control tipo 2, y 38°F (3°C) para su modelo con control tipos 3 y 4. Las temperaturas más bajas causarán que el funcionamiento disminuya.
- No bloquee las rejillas que están en el panel delantero.

# CÓMO USAR EL DESHUMIDIFICADOR

## Ajuste de los controles (Sólo para modelos con controles tipo 1 y 2)

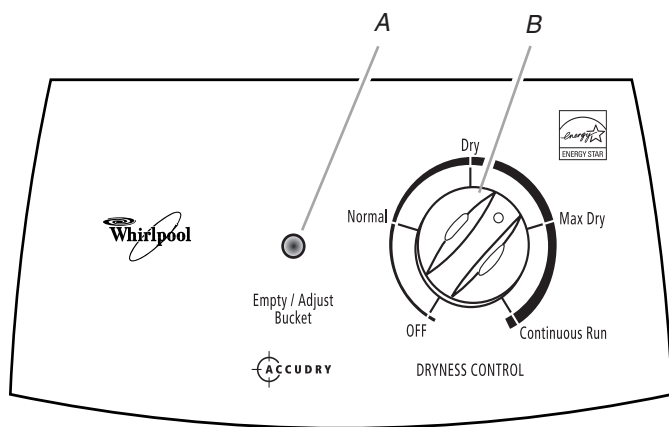
### Encender/Apagar el deshumidificador

**NOTA:** Antes de encender el deshumidificador, asegúrese de que el balde esté vacío y debidamente insertado en el deshumidificador.

#### Control tipo 1

##### NOTAS:

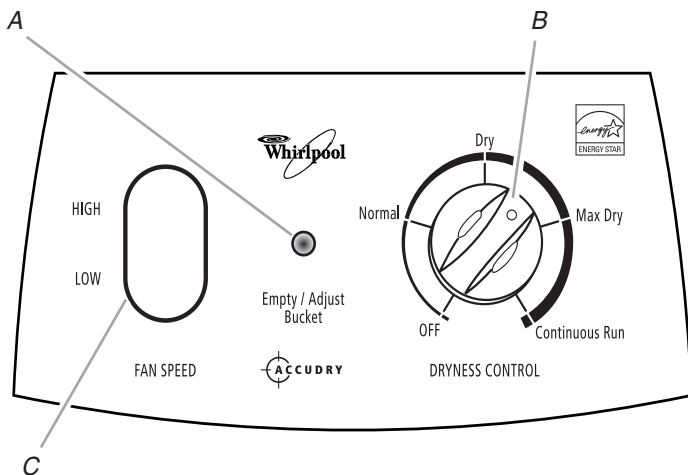
- Temperatura mínima de funcionamiento 65°F (18°C) para el modelo AD25B.
- Temperatura mínima de funcionamiento 55°F (13°C) para el modelo AD25D.



- A. La luz se enciende, indicando que el balde está lleno o que no está bien colocado.  
 B. Regula la cantidad de humedad que se elimina de la habitación.

#### Control tipo 2

**NOTA:** Temperatura mínima de funcionamiento 55°F (13°C).



- A. La luz se enciende, indicando que el balde está lleno o que no está bien colocado.  
 B. Regula la cantidad de humedad que se elimina de la habitación.  
 C. Selecciona la velocidad de ventilación.

## ⚠ ADVERTENCIA



### Peligro de Choque Eléctrico

**Conecte a un contacto de pared de conexión a tierra de 3 terminales.**

**No quite la terminal de conexión a tierra.**

**No use un adaptador.**

**No use un cable eléctrico de extensión.**

**No seguir estas instrucciones puede ocasionar la muerte, incendio o choque eléctrico.**

1. Conecte a un contacto de pared de conexión a tierra de 3 terminales.
2. Para encender el deshumidificador, gire el DRYNESS CONTROL (Control de sequedad) en la dirección de las manecillas del reloj.  
**IMPORTANTE:** Si la luz de Empty/Adjust Bucket (Vacíe/Ajuste el balde) se enciende, el deshumidificador no funcionará. Vacíe o coloque bien el balde.
3. Para apagar el deshumidificador, gire el DRYNESS CONTROL (Control de sequedad) en la dirección contraria a las manecillas del reloj hasta llegar a OFF (Apagado).

### Luz de Empty/Adjust Bucket (Vacíe/Ajuste el balde)

Si esta luz está encendida, el deshumidificador no está funcionando. Esta luz indica que usted tiene que verificar:

- Si el balde está lleno, vacíe el balde y vuelva a colocarlo.
- Si el balde no está bien colocado, quite el balde y vuelva a colocarlo. Asegúrese de insertar el balde completamente dentro del deshumidificador y que la luz esté apagada, o el deshumidificador no funcionará.

### Fan Speed (Velocidad de ventilación) (Sólo para modelos con control tipo 2)

El Fan Speed (Velocidad de ventilación) controla el funcionamiento del ventilador.

- High (Alta)—para eliminar la humedad más rápidamente
- Low (Baja)—para eliminar la humedad silenciosamente

## Dryness Control (Control de sequedad)

El Dryness Control (Control de sequedad) controla la cantidad de humedad en la habitación. Gire la perilla de control en la dirección de las manecillas del reloj para mayor sequedad. Gire la perilla de control en dirección contraria a las manecillas del reloj para menor sequedad. Gire la perilla de control hasta "Dry" (Seco) para mantener condiciones de humedad media.

### NOTAS:

- Para los primeros días de uso, gire el DRYNESS CONTROL (Control de sequedad) en la dirección de las manecillas del reloj hasta CONTINUOUS RUN (Funcionamiento continuo) para eliminar humedad adicional de los muebles así como del ambiente de la habitación.
- Para todos los modelos excepto AD25B, el deshelador apagará el compresor si existe un estado de baja temperatura. El girar el control de sequedad no aumentará ni bajará la cantidad de humedad quitada. El compresor volverá a funcionar cuando se termine el estado de temperatura baja.

## Ajuste de los controles (Sólo para modelos con controles tipo 3 y 4)

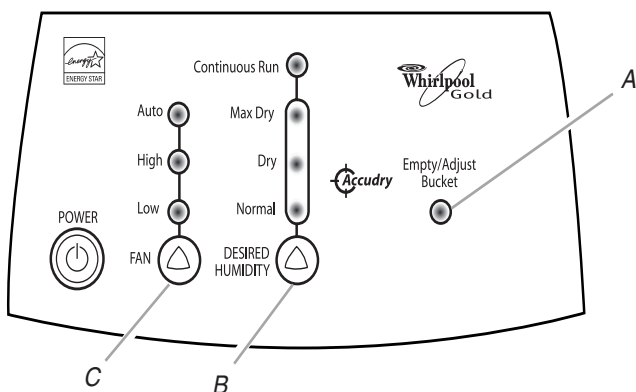
### Encender/Apagar el deshumidificador

#### NOTAS:

- Antes de encender el deshumidificador, asegúrese de que el balde esté vacío y debidamente insertado en el deshumidificador.
- Siempre que usted desconecte el deshumidificador o se interrumpa el suministro de energía eléctrica, el control volverá a su último ajuste cuando se restablezca la energía.

#### Control tipo 3

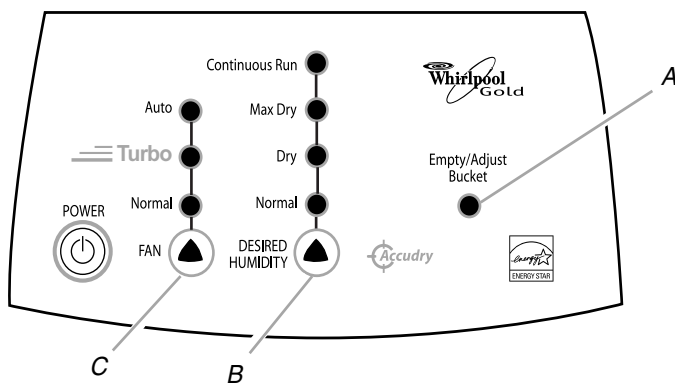
**NOTA:** Temperatura mínima de funcionamiento 38°F (3°C).



- A. La luz se enciende, indicando que el balde está lleno o que no está bien colocado.  
 B. Regula la cantidad de humedad que se elimina de la habitación.  
 C. Selecciona la velocidad de ventilación.

#### Control tipo 4

**NOTA:** Temperatura mínima de funcionamiento 38°F (3°C).



- A. La luz se enciende, indicando que el balde está lleno o que no está bien colocado.  
 B. Regula la cantidad de humedad que se elimina de la habitación.  
 C. Selecciona la velocidad de ventilación.

## ⚠ ADVERTENCIA



### Peligro de Choque Eléctrico

Conecte a un contacto de pared de conexión a tierra de 3 terminales.

No quite la terminal de conexión a tierra.

No use un adaptador.

No use un cable eléctrico de extensión.

No seguir estas instrucciones puede ocasionar la muerte, incendio o choque eléctrico.

1. Conecte a un contacto de pared de conexión a tierra de 3 terminales.
2. Oprima POWER para encender el deshumidificador.  
**IMPORTANTE:** Si la luz de Empty/Adjust Bucket (Vacíe/Ajuste el balde) se enciende, el deshumidificador no funcionará. Vacíe o coloque bien el balde.
3. Oprima POWER para apagar el deshumidificador.  
**NOTA:** El deshumidificador mantendrá sus últimos ajustes.

### Luz de Empty/Adjust Bucket (Vacíe/Ajuste el balde)

Si esta luz está encendida, el deshumidificador no está funcionando. Esta luz indica que usted tiene que verificar:

- Si el balde está lleno, vacíe el balde y vuelva a colocarlo.
- Si el balde no está bien colocado, quite el balde y vuelva a colocarlo. Asegúrese de insertar el balde completamente dentro del deshumidificador y que la luz esté apagada, o el deshumidificador no funcionará.

### Velocidad de ventilación (Sólo para modelos con control tipo 3)

- Oprima FAN (ventilación) para seleccionar la velocidad de ventilación.
- Seleccione Low (bajo), High (alto) o Auto (automático).
  - Low—Alcanzará más lentamente el nivel de humedad deseado con un nivel de sonido más bajo.
  - High—Alcanzará más rápido el nivel de humedad deseado.
  - Auto—Ofrecerá el mejor control de humedad al ajustar automáticamente la velocidad del ventilador y/o encender y apagar la unidad para mantener el ajuste de humedad.

### Velocidad de ventilación (Sólo para modelos con control tipo 4)

- Oprima FAN para seleccionar la velocidad de ventilación.
- Seleccione Normal, Turbo o Auto (automático).
  - Normal—Alcanzará más lentamente el nivel de humedad deseado con un nivel de sonido más bajo.
  - Turbo—Alcanzará más rápido el nivel de humedad deseado.
  - Auto—Ofrecerá el mejor control de humedad al ajustar automáticamente la velocidad del ventilador y/o encender y apagar la unidad para mantener el ajuste de humedad.

### Humedad deseada

- Oprima DESIRED HUMIDITY (Humedad deseada) para seleccionar el ajuste de humedad deseado.
- Elija Normal, Dry (seco), Max Dry (máxima sequedad) o Continuous Run (funcionamiento continuo).
  - Normal—El deshumidificador funcionará en la velocidad de ventilación seleccionada hasta que los niveles de humedad bajen.
  - Dry—El deshumidificador funcionará en la velocidad de ventilación seleccionada hasta que los niveles de humedad disminuyan por debajo del ajuste Normal.
  - Max Dry—El deshumidificador funcionará en la velocidad de ventilación seleccionada hasta que los niveles de humedad bajen a su nivel máximo.
  - Continuous Run—El deshumidificador funcionará continuamente a la velocidad de ventilación seleccionada independientemente del nivel de humedad. El deshumidificador se apagará solamente si el balde está lleno o se quitó.

**NOTA:** Si existe un estado de baja temperatura, el control electrónico encenderá y apagará el compresor. Si presiona la fecha de Desired Humidity (Humedad deseada), la cantidad de humedad quitada no aumentará ni bajará durante un estado de baja temperatura. El compresor volverá a funcionar normalmente cuando se termine el estado de temperatura baja.

## Cómo desaguar el deshumidificador

### ⚠ ADVERTENCIA

#### Peligro de enfermedad

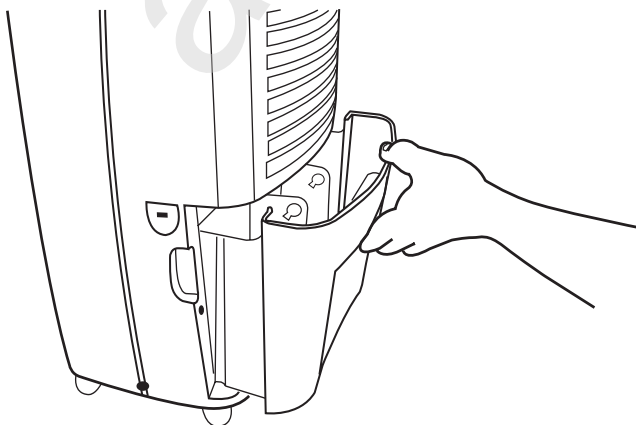
No tome el agua acumulada en el balde.

No seguir esta instrucción puede ocasionar una enfermedad.

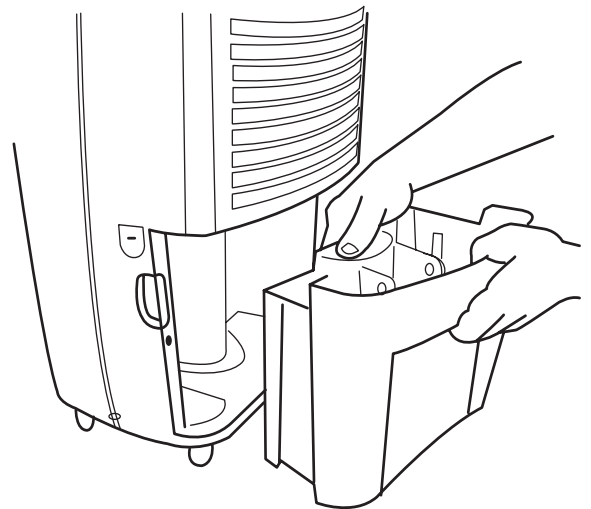
#### Opción 1—Saque el balde

En caso de no contar con un desagüe de piso, o si no prevé hacer funcionar su deshumidificador en forma continua, puede simplemente vaciar el balde.

- Use la manija frontal para deslizar el balde hacia fuera.

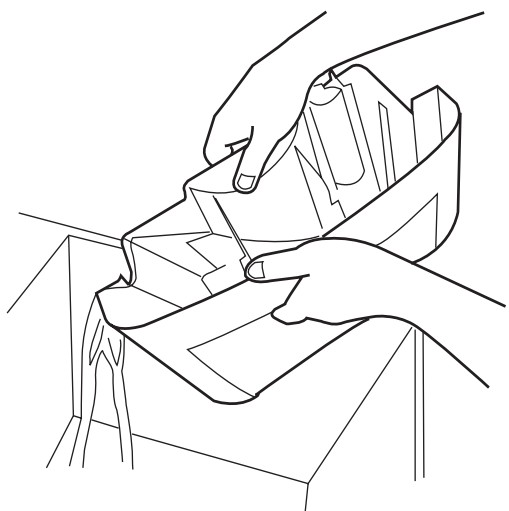


- Use las manijas frontales y posteriores para levantar el balde.





- Vierta el agua a través de la abertura en un fregadero o tina.



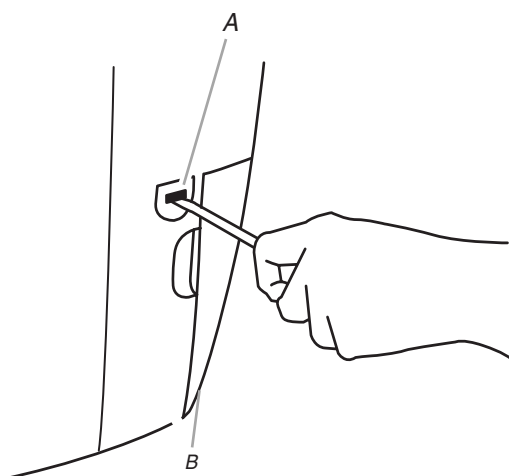
- Vuelva a colocar el balde.

**IMPORTANTE:** Si la luz de Empty/Adjust Bucket (Vacíe/Ajuste el balde) se enciende, el deshumidificador no funcionará. Vacíe o coloque bien el balde.

### Opción 2 – Conecte la manguera de desagüe

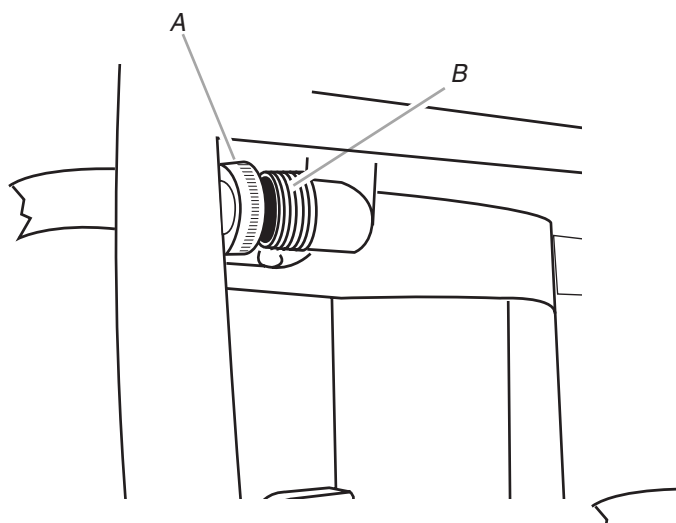
Si prevé hacer funcionar su deshumidificador en forma continua, puede conectar su manguera de jardín en el conector de la manguera de desagüe.

- Use un destornillador de hoja plana para sacar suavemente la tapa del conector de la manguera de desagüe. Deseche la tapa.



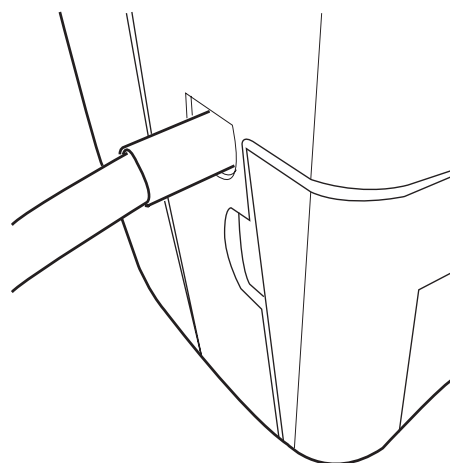
A. Tapa del conector de la manguera de desagüe  
B. Balde

- Quite el balde.
- Conecte una manguera de jardín al conector de la manguera de desagüe en la parte interior del deshumidificador. Apriete con la mano.



A. Manguera de jardín  
B. Conector de la manguera de desagüe

- Haga pasar el otro extremo de la manguera de jardín por un desagüe de piso. Verifique que la manguera esté plana y en el desagüe.
- Vuelva a colocar el balde.



#### NOTAS:

- Para usar el balde sin la manguera de jardín, quite la manguera. Luego vuelva a instalar el balde.
- El balde debe estar instalado y alineado adecuadamente para que el deshumidificador funcione con o sin una manguera de jardín conectada.

### Sonidos normales

Cuando su deshumidificador funciona normalmente, usted oírá sonidos tales como:

- Sonidos del compresor, los que pueden sonar muy alto. Esto es normal.

- Ruidos secos (clic) se pueden oír cuando el deshumidificador o el compresor se apaga y se enciende, y cuando el interruptor de apagado automático está funcionando.
- Movimiento de aire proveniente del ventilador.

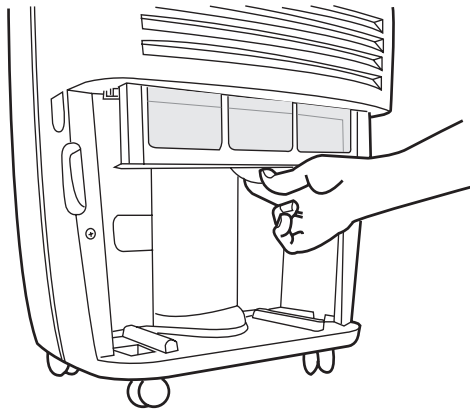
## CUIDADO DEL DESHUMIDIFICADOR

Su nuevo deshumidificador está diseñado para darle muchos años de servicio confiable. Esta sección le ofrece la información acerca de la limpieza y el cuidado de su deshumidificador. Llame al vendedor autorizado de su localidad para una limpieza anual del deshumidificador.

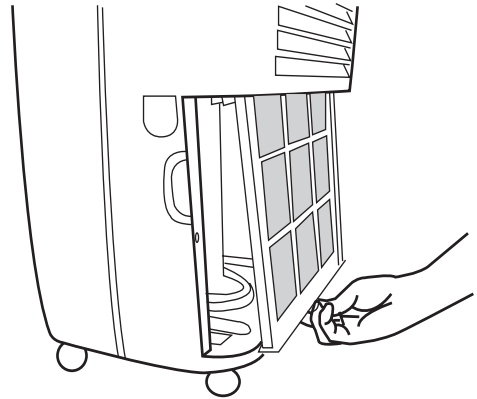
### Limpieza del filtro de aire (en algunos modelos)

El filtro de aire se puede desmontar para facilitar su limpieza. Un filtro limpio ayuda a quitar el polvo, las pelusas y otras partículas del aire, y es importante para que funcione más eficientemente. Revise el filtro cada dos semanas para ver si necesita limpieza.

1. Apague el deshumidificador.
2. Quite el balde.
3. Jale el filtro hacia abajo por debajo de las ranuras frontales.



4. Jale el borde inferior del filtro de aire hacia usted para despejar la parte inferior del deshumidificador.



5. Limpie el filtro usando una aspiradora. Si está muy sucio, lave el filtro con agua tibia y un detergente suave. No lave el filtro de aire en la lavavajillas ni use limpiadores químicos. Seque bien el filtro al aire antes de colocarlo nuevamente para asegurarse la máxima eficiencia.
6. Deslice el filtro de aire hacia arriba dentro del deshumidificador.
7. Vuelva a colocar el balde.
8. Encienda el deshumidificador.

### Limpieza del deshumidificador

#### Exterior

**NOTA:** Solicite a un técnico de servicio autorizado que limpie y dé servicio a los serpentines interiores de su producto una vez al año.

1. Apague el deshumidificador.
2. Limpie la rejilla delantera y los paneles laterales con un cepillo suave o con el accesorio para quitar el polvo de su aspiradora.

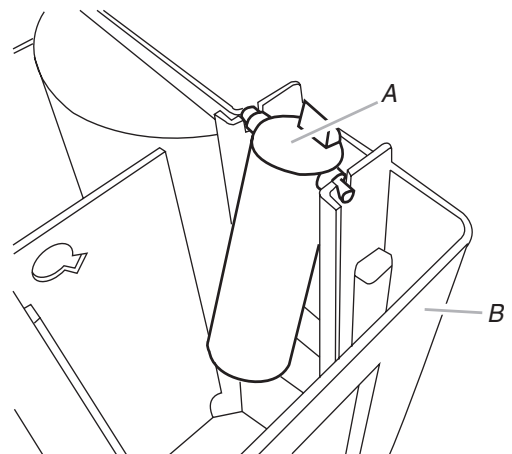
#### Balde de agua

Cada ciertas semanas, enjuague el interior del balde de agua con un detergente suave para evitar la formación de moho, mildiu y bacterias.

#### Flotador de nivel de agua

El deshumidificador cuenta con una luz de Empty/Adjust Bucket (vacíe/ajuste el balde) y un flotador de nivel de agua. El balde debe estar alineado adecuadamente para que el flotador de nivel de agua y la luz de vacíe/ajuste el balde funcionen.

**NOTA:** Asegúrese de que el flotador esté trabado en su lugar.



A. Flotador de nivel de agua  
B. Balde

# SOLUCIÓN DE PROBLEMAS

Antes de solicitar servicio, pruebe las sugerencias que se incluyen a continuación para ver si puede resolver el problema sin ayuda.

## El deshumidificador no funciona

- **¿Está encendido el deshumidificador?** Encienda el deshumidificador.

### ⚠ ADVERTENCIA



#### Peligro de Choque Eléctrico

Conecte a un contacto de pared de conexión a tierra de 3 terminales.

No quite la terminal de conexión a tierra.

No use un adaptador.

No use un cable eléctrico de extensión.

No seguir estas instrucciones puede ocasionar la muerte, incendio o choque eléctrico.

- **¿Está enchufado el cable eléctrico en un contacto de pared de conexión a tierra con 3 terminales?** Conecte a un contacto de pared de conexión a tierra de 3 terminales. Vea "Requisitos eléctricos".
- **¿Hay un fusible de la casa fundido o se disparó el cortacircuitos?** Reemplace el fusible o reposicione el cortacircuitos. Si el problema continúa, llame a un electricista. Vea "Requisitos eléctricos".
- **¿Está instalado debidamente el balde de agua?** Vuelva a instalar el balde para que encaje completamente en el deshumidificador.
- **¿Necesita vaciar el balde de agua?** Vacíe el balde.
- **¿El flotador de nivel de agua está en su lugar?** Quite el balde. Asegúrese de que el flotador esté trabado en su lugar. Vuelva a instalar el balde.

## Se forma hielo en los serpentines

- **Los deshumidificadores de modelo AD25B no tienen un deshelador automático.** Vea la etiqueta con el número del modelo y de la serie para obtener el número de modelo. Si se forma hielo en los serpentines, desenchufe el deshumidificador hasta que se derrita el hielo y suba la temperatura de la habitación.
- **Para todos los modelos excepto AD25B, tienen un deshelador automático que apagará el compresor y permitirá que funcione el ventilador.** Esto reduce la acumulación de hielo en los serpentines. El compresor resumirá el ciclo una vez que el deshelador detecte la temperatura correcta de funcionamiento.

## El deshumidificador funciona pero no deshumidifica

- **¿Tiene usted el modelo AD25D?** Las unidades con este número de modelo tienen un deshelador que apagará el compresor y permitirá que funcione el ventilador. Cuando el deshelador detecta la temperatura correcta de funcionamiento, el compresor resumirá su ciclo.
- **¿Tiene usted el control tipo 2, 3 ó 4?** Las unidades con estos tipos de controles tienen un deshelador que apagará el compresor y permitirá que funcione el ventilador. Cuando el deshelador detecta la temperatura correcta de funcionamiento, el compresor resumirá su ciclo.
- **¿Tiene usted el control tipo 3 ó 4?** Si ha seleccionado Continuous Run (funcionamiento continuo), el deshumidificador funcionará continuamente. Si es bajo el nivel de humedad, es posible que recoja poca agua o nada de agua.
- **El filtro (en algunos modelos) está sucio u obstruido por escombros.** Limpie el filtro.

## Está tibio el aire que viene del deshumidificador

- **Bajo condiciones normales de funcionamiento, el deshumidificador sacará aire tibio.**

## AYUDA O SERVICIO TÉCNICO

Antes de solicitar ayuda o servicio técnico, por favor consulte la sección "Solución de problemas". Esto le podría ahorrar el costo de una visita de servicio técnico. Si considera que aún necesita ayuda, siga las instrucciones que aparecen a continuación.

Cuando llame, tenga a mano la fecha de compra y el número completo del modelo y de la serie de su electrodoméstico. Esta información nos ayudará a atender mejor a su pedido.

### Si necesita piezas de repuesto

Si necesita pedir piezas de repuesto, recomendamos que use únicamente piezas de repuesto FSP®. Estas piezas encajarán bien y funcionarán bien ya que están confeccionadas con la misma precisión empleada en la fabricación de cada electrodoméstico nuevo de WHIRLPOOL®.

Para encontrar piezas de repuesto FSP® en su localidad, llámenos o comuníquese con el centro de servicio designado por Whirlpool más cercano a su localidad.

### En los EE.UU.

Llame al Centro para la eXperiencia del cliente de Whirlpool sin costo alguno al: **1-800-253-1301** o visite nuestro sitio web en **www.whirlpool.com**.

#### Nuestros consultores ofrecen asistencia con respecto a:

- Características y especificaciones de nuestra línea completa de electrodomésticos.
- Información sobre instalación.
- Procedimiento para el uso y mantenimiento.
- Venta de accesorios y piezas para reparación.
- Asistencia especializada para el cliente (habla hispana, problemas de audición, visión limitada, etc.).
- Recomendaciones con distribuidores locales, compañías que dan servicio y distribuidores de partes para reparación. Los técnicos de servicio designados por Whirlpool están entrenados para cumplir con la garantía del producto y ofrecer servicio una vez que la garantía termine, en cualquier lugar de los Estados Unidos.

Para localizar a una compañía de servicio designada por Whirlpool en su área, también puede consultar la sección amarilla de su guía telefónica.

#### Para obtener más asistencia

Si necesita asistencia adicional, puede escribir a Whirlpool Corporation con sus preguntas o dudas a:

Whirlpool Brand Home Appliances  
Customer eXperience Center  
553 Benson Road  
Benton Harbor, MI 49022-2692

Favor de incluir un número telefónico de día en su correspondencia.

#### Por favor anote la información sobre su modelo.

Siempre que llame para solicitar servicio del aparato, necesitará saber el número del modelo y el número de serie completos. Esta información la encuentra en la placa de número del modelo y número de serie. La etiqueta con el número de modelo y de serie está ubicada en la pared detrás del balde de agua.

Por favor anote la información sobre el número del modelo y el número de serie que se incluye abajo. Anote también la fecha de compra del aparato, así como el nombre, la dirección y el teléfono de la tienda.

Número de modelo \_\_\_\_\_

Número de serie \_\_\_\_\_

Fecha de compra \_\_\_\_\_

Nombre de la tienda \_\_\_\_\_

Dirección de la tienda \_\_\_\_\_

Teléfono de la tienda \_\_\_\_\_

Guarde este manual y la nota de compra juntos para referencia futura.